



Robot Vacuum Cleaner

Model Number A320

INSTRUCTION MANUAL

After Sales Support

Telephone: 1800 898 750
Email: service@wkfe.com.hk

Contents

- 1 Warranty Details**
- 2 Welcome**
- 3 General Safety Instructions**
- 5 Product Overview**
- 7 Getting Started**
 - Setting the Remote Control
 - Cleaning System
 - Sensors
 - Using the Mop Function
- 10 Instructions**
 - Remote Control
 - Docking Station Overview
 - Charging
 - Manual Charging
 - Automatic Charging
 - Space Isolator
- 19 Other Useful Information**
 - Cleaning the Dustbin and Filters
 - Cleaning the Main Brush and Floor Brush
 - Cleaning of the Side Brush
 - Cleaning of the Left/Right Wheels
 - Cleaning of Sensor and Infra-red Transparent Window
 - Battery Replacement
 - Trouble Shooting
 - Failure Information which may Appear During Use
 - Technical Specifications of the Vacuum
 - Spare Parts Ordering
 - Disposal
- 30 Repair and Refurbish Notice**

After Sales Support

Telephone: 1800 898 750
Email: service@wkfe.com.hk



 **STIRLING**[®]

Robot Vacuum Cleaner

Warranty Details

The product is guaranteed to be free from defects in workmanship and parts for a period of 36 months from date of purchase. Defects that occur within this warranty period, under normal use and care, will be repaired, replaced or refunded at our discretion, solely at our option with no charge for parts and labour. The benefits conferred by this warranty are in addition to all rights and remedies in respect of the product that the consumer has under the Competition and Consumer Act 2010 and similar state and territory laws.

Our goods come with guarantees that cannot be excluded under the Australian Consumer Law. You are entitled to a replacement or refund for a major failure and for compensation for any other reasonably foreseeable loss or damage. You are also entitled to have the goods repaired or replaced if the goods fail to be of acceptable quality and the failure does not amount to a major failure.

After Sales Support

Telephone: 1800 898 750
Email: service@wkfe.com.hk



Welcome

Congratulations on choosing to buy a Stirling® product.

All products brought to you by Stirling® are manufactured to the highest standards of performance and safety and, as part of our philosophy of customer service and satisfaction, are backed by our comprehensive 3 Year Warranty. We hope you will enjoy using your purchase for many years to come.

After Sales Support

Telephone: 1800 898 750
Email: service@wkfe.com.hk

General Safety Instructions

Proper use

The appliance is designed to automatically vacuum dust, dirt and crumbs. It is intended for private use only and is not suitable for commercial purposes. Dark or highly reflective surfaces may confuse the device's programming. Please note that the warranty is invalid if not used strictly according to the instructions.

- Do not modify the device.
- Use only spare parts and accessories which have been supplied or listed in this manual.
- Follow all the instructions in this instruction manual, especially the safety information. Any other use is deemed improper and can cause personal injury or damage to the product.
- Do not use the device in extreme environmental conditions.
- The appliance is not intended for use by persons (including children) with reduced physical, sensory or mental capabilities, or lack of experience and knowledge, unless they have been given supervision or instruction concerning use of the appliance by a person responsible for their safety.
- Young children should be supervised to ensure they do not play with the appliance. Close supervision is necessary when any appliance is used by or near children.

Ensure accessibility of the mains power socket

- Connect the machine only to a power socket (100–240 V ~ 50/60 Hz) that is easily accessible and close to the place where you have set up the device. Keep the plug socket free of obstructions so that the plug can be pulled out easily.
- When disconnecting the device from the mains supply, always pull on the plug rather than on the cable. Do not kink or crush the mains cable.
- If the plug, power cable or the device is damaged or if liquids or foreign bodies enter the device, remove the plug immediately from the socket.
- To avoid the risk of tripping, please avoid using extension cables.
- If the plug, cable or device itself is damaged, disconnect the device from the mains immediately.

After Sales Support

Telephone: 1800 898 750
Email: service@wkfe.com.hk

General Safety Instructions Cont.

- **CAUTION!** To avoid risks, never try to open and/or repair the device yourself. There is a risk of electric shock. In the event of a fault, contact our Service Centre or another suitable professional repair workshop.
- If the mains cable on the device is damaged it must be replaced by the manufacturer, its customer service agent or other suitably qualified person. This is to avoid causing damage to the device.

Danger of injuries from other causes

- Never use the device near inflammable materials. Do not use it to vacuum sharp-edged or inflammable objects or liquids, e.g. matches or hot ashes. Do not use the device to gather up small objects.
- Use the device only to vacuum small amounts of dust, dirt and crumbs. Empty the dust container after every use.

Handling the rechargeable batteries safely

The device requires a rechargeable battery block. Please note the following:

- Keep children away from batteries.
- Do not throw rechargeable batteries into a fire, do not short-circuit them and do not dismantle them.
- Please note the polarity (+/-) when inserting the battery block.
- Remove the battery block if the unit will not be used for long periods.
- Remove defective batteries from the device immediately! There is an increased risk of leakage.
- Never expose the batteries to excessive heat such as direct sunlight, fire or similar. There is an increased risk of leakage.
- In the event of leakage, remove the batteries from the device immediately. Clean the contacts before inserting new batteries. There is a risk of skin irritations from battery acid!
- If battery acid has leaked out, under no circumstances allow it to come into contact with the skin, eyes and mucous membranes! Leaked battery fluid can cause skin irritations. If the acid does come into contact with skin, immediately rinse the affected areas with plenty of clear water and consult a doctor immediately.

After Sales Support

Telephone: 1800 898 750
Email: service@wkfe.com.hk

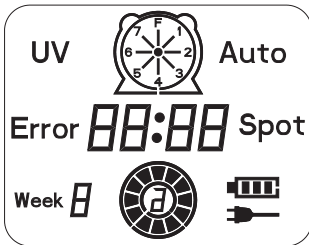
Product Overview

Use the following diagrams and explanations to familiarise yourself with the components of the robot vacuum cleaner and its accessories:

Top view



- 1 Infrared signal receiver
- 2 Display screen
- 3 Front bumper
- 4 Touch buttons
- 5 Dustbin release key



Menu Display:

1. select the desired cleaning day / days of the week
2. Wheel rotation/speed display
3. **UV** "UV" lamp display
4. **Auto** "Auto" cleaning display
5. **Spot** "Spot" cleaning display
6. "Current" week
7. **Error** Malfunction display
8. Charging display
9. Battery life display
10. Time display

Touch keys:

You are able to activate the below cleaning modes without using the remote control.

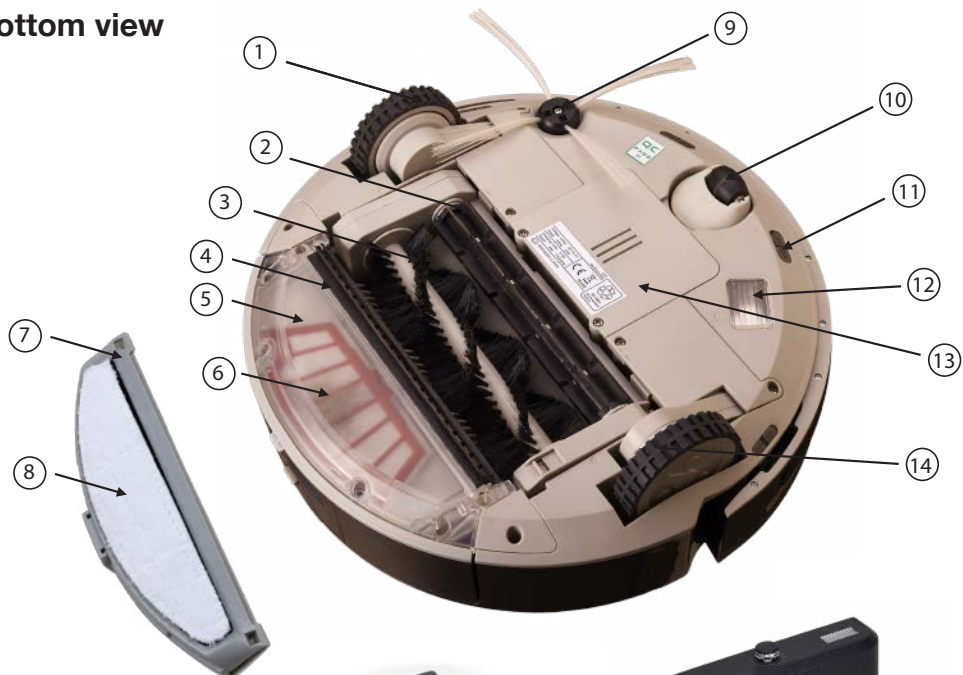
1. UV lamp
2. Auto cleaning
3. Spot cleaning

After Sales Support

Telephone: 1800 898 750
Email: service@wkte.com.hk

Product Overview Cont.

Bottom view



- 1 Right wheel
- 2 Rubber floor brush
- 3 Main brush
- 4 Rubber dust bar
- 5 Dust filter bracket
- 6 Dust filter
- 7 Velcro mop base
- 8 Mop pad
- 9 Side cleaning brush
- 10 Front wheel
- 11 Ground detection sensor
- 12 UV lamp
- 13 Battery cover
- 14 Left wheel



15



17



16



18

- 15 Power adaptor
- 16 Remote control
- 17 Charging station
- 18 Space isolator

After Sales Support

Telephone: 1800 898 750
Email: service@wkfe.com.hk

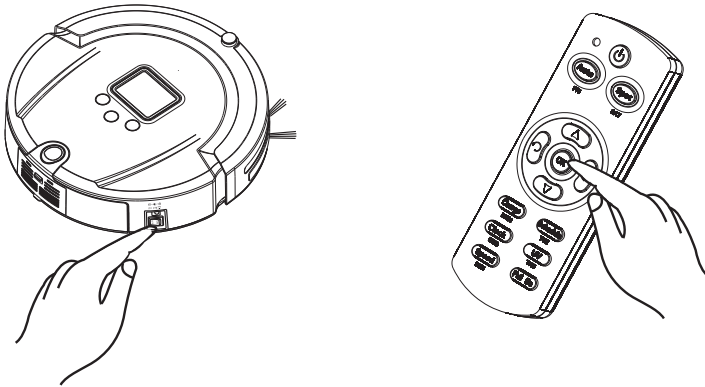
Getting Started

Setting the Remote Control

*****The following steps are very important, or the remote control may fail.**

You should check the code of the remote control and vacuum so that they can function together.

1. Check that the remote control and cleaner have enough power, turn off the cleaner, press OK on the remote control for more than 4 seconds, and then turn on the vacuum without releasing OK. After the cleaner beeps twice, release OK, then the code check set is finished.
2. If you fail to hear a beep during the code check, just repeat the above process.



For first time use, make sure the battery has been fully charged for 12 hours for best performance.

Normal charge time will take within 4-5 hours before the battery is full again.

After Sales Support

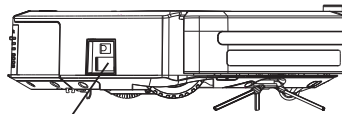
Telephone: 1800 898 750
Email: service@wkfe.com.hk

Getting Started Cont.

Your robot vacuum cleaner is equipped with many practical functions that allow it to clean wooden floors, short-pile carpet, tiles and vinyl flooring. The device uses artificial intelligence (AI) to adjust to its environment and reliably clean its working area. The device is equipped with three level sensors that recognise staircases and other dips to ensure that it will not fall.

The robot vacuum cleaner works in 4 cleaning stages: random, spiral, along the wall and spiral again. After the fourth stage the vacuum cleaner will restart from the beginning with its random programme.

Turn on the power switch at the right side of the robot. The LCD display will begin to flash. (See Fig 1).



Power switch

Figure 1

Before you first use your robot vacuum charge the battery overnight for 12 hours. It is also recommended that the battery is flat before you recharge for the first 2 or 3 times. Alternatively, if the battery is very low the robot vacuum will automatically return to the docking station to charge. Do not use again until the full charge has completed.

Cleaning System

The brushes on the sides of the device sweep dust and dirt towards the suction opening. Subsequently, the dirt particles are sucked into the dust container. The filter ensures that dirt particles remain on the floor of the dust container so that only clean air is expelled from the device.

The dust container element of the device consists of the dust container, filter and dust container cover. The element can be removed without any tools.

Please refer to the Cleaning and Care sections in this manual.

After Sales Support

Telephone: 1800 898 750
Email: service@wkfe.com.hk

Getting Started Cont.

Sensors

Various sensors are integrated into the vacuum cleaner which provide it with certain useful traits.

- Level sensors recognise staircases and other dips to ensure that the device will not fall. These categorise any height difference of more than 10 cm as a dangerous depression. If such a drop is recognised, the vacuum cleaner turns around to avoid falling.
- Anti-fall sensors are also located on the main wheels. If a wheel loses contact with the floor – i.e. moves over a hole – the device reverses to prevent any incident. If both wheels lose contact with the floor, the device stops immediately.
- The bumper is located at the front of the device. If the bumper comes into contact with anything, the device reverses to move around the obstacle.
- Due to the sensitivity of the integrated anti-fall sensors, dark or highly glossy floor surfaces may cause the device to malfunction.

Please note that this vacuum cleaner is not for use with water.

Using the Mop Function

1. The velcro mop base can be attached to the dust filter bracket. There are right & left fasteners on the bottom of the dust filter bracket.
2. You can then attach one mop pad to the velcro (refer Fig.1).
3. To remove unplug the the right and left fasteners of the velcro mop base on the dust filter bracket (refer Fig.2).



Don't use the mop function on carpet or uneven ground.

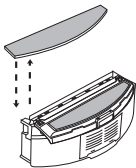


Fig.1

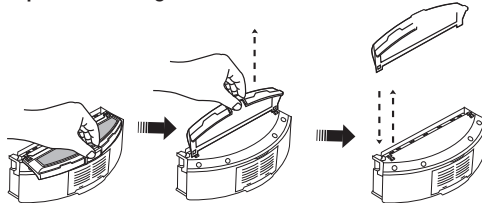


Fig.2

After Sales Support

Telephone: 1800 898 750
Email: service@wkfe.com.hk

Instructions

Remote Control





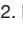
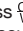

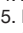

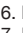
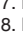
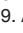


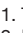


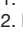
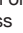
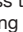
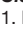
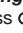
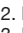
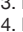
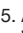




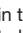
Remote Key Description:

No.	Key Display	Key Information
1		Turn off/cancel
2	Auto/FRI	Automatic cleaning key/Friday
3	Spot/SAT	Spot cleaning key/Saturday
4	Charge/MON	Automatic recharging key/Monday
5	Schedule/TUE	Timing key/Tuesday
6	Clock/WED	Time set key/Wednesday
7	UV/THU	UV lamp/Thursday
8	Speed/SUN	Speed selection key/Sunday
9	Full Go	It will work automatically after the battery is full. This function is suitable for a large house where one full charging can not clean all the rooms. The vacuum will continue to function until you stop it or it is set on a timer.
10	OK	Confirmation key
11		Forward key
12		Back key
13		Turn left key
14		Turn right key

After Sales Support

Telephone: 1800 898 750
Email: service@wkfe.com.hk








Instructions Cont.

Function	Button on remotecontrol	Instructions
Auto Cleaning	Auto	Press the key, the vacuum will clean in the auto cleaning mode; press the key again, the Cleaner will stop running.
Spot Cleaning	Spot	Press the key, the vacuum will clean in the spot mode; Press the key again, the vacuum will stop running.
Week & Time Setting Week  	Clock/WED	<ol style="list-style-type: none"> 1. Turn on the vacuum. 2. Press  on the remote control, the icon  in the LCD screen of vacuum will flicker. 3. Press the day of the week button (MON/TUE.../SUN), the icon will display , 1 means Monday, 2 means Tuesday, accordingly, 7 means Sunday. 4. After setting the correct day, then you can set the time. 5. Press  to enter time setting, the Icon  in the LCD screen of the vacuum will flicker. 6. Press  or  to set the correct hour. 7. Press  again  will flicker. 8. Press  or  to set the correct minute. 9. After finishing Week & Time Setting, press "OK" to save it.
Cleaning Schedule Setting  	Schedule/TUE	<p>Cleaning settings for the Week:</p> <ol style="list-style-type: none"> 1. Turn on the vacuum. 2. Press  button, then the icon  on the LCD screen of the vacuum will flicker. 3. Press the desired day/s which you would like the vacuum to clean during the week. Once selected the day/s will flicker. In , 1 means Monday, 2 means Tuesday, accordingly, 7 means Sunday. 4. If you want to cancel any setting day or days, just press the day/s button again. 5. After you set the clean day of each week, it is possible to set the starting time of cleaning. <p>Cleaning time setting:</p> <ol style="list-style-type: none"> 1. Press  to enter the cleaning time setting, the Icon  in the LCD screen of the cleaner will flicker. 2. Press  or  to select the timing cleaning hour. 3. Press  again  will flicker 4. Press  or  to set the timing cleaning minute. 5. After finishing Week & Time Setting, press "OK" to save it. <p>When the vacuum is connected to the docking station, at the set time it will start cleaning automatically (when the battery is fully charged); when the cleaning is finished or the battery is low, the vacuum will go back to the docking station automatically.</p>
Full Go Function Setting "F" 	Full Go	<ol style="list-style-type: none"> 1. Press the "schedule" button on the remote control, then press "Full Go". 2. "F" in the icon  on the LCD screen will flicker, the vacuum will start cleaning automatically when the battery is charged (4-5 hours charging). After finishing Full Go setting, press "OK" to save it. This function is suitable for a large house where one full charging can not clean all the rooms. <p>Remark: You can set timing cleaning and full go function at the same time!</p>

After Sales Support

Telephone: 1800 898 750
Email: service@wkfe.com.hk

Instructions Cont.

Function	Button on remotecontrol	Instructions
Speed selection	Speed/SUN	Press the ^{Speed} _{SUN} key repeatedly. To choose fast speed select 1 and to choose slow speed select 2. Once you have made your selection the vacuum will store this information until you change it.
Turn off/ cancel/ stop		<ol style="list-style-type: none"> 1. Press this key to turn on/off the vacuum. 2. You can stop the running mode by pressing this key. 3. You can delete and return to the original setting. 4. Press the key for more than 5 seconds to delete all settings and memory and return to the initial status.
OK key	OK	You must press "OK" to save any setting.
UV lamp key	UV	You can turn on/off UV lamp by pressing the "UV" key while the vacuum is in Standby mode or running. WARNING: DO NOT STARE DIRECTLY INTO THE UV LIGHT!
Forward key		Press "▲", the vacuum will run forward and it will stop after you release the key.
Backward key		Press "▼", the vacuum will run backward and it will stop after you release the key.
Turn left key		Press  and release till the vacuum turns left to the direction you want. It will stop automatically in obstacles.
Turn right key		Press  and release till the vacuum turns right to the direction you want. It will stop automatically in obstacles.



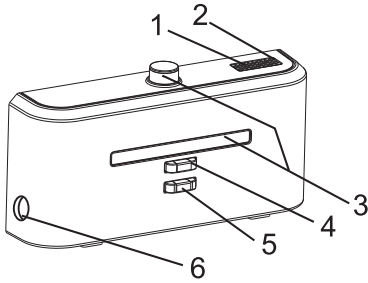
1. You should use the remote control within 10 metres (radio signal scope), or you may fail to control the vacuum.
2. The vacuum may fail to find the docking station due to an obstacle, decreased battery power or other conditions.

After Sales Support

Telephone: 1800 898 750
Email: service@wkfe.com.hk

Instructions Cont.

Docking Station Overview



1. Power indicator
2. Charging indicator
3. Signal transmitter
4. Charging positive electrode
5. Charging negative electrode
6. Charging power DC socket

No.	Function Guide	Function Information
1	Power indicator	The Power LED will light up when the docking station is connected to power.
2	Charging indicator	The indicator will flicker while recharging.
3	Signal transmitter	The transmitting signal is the only way to lead the vacuum to return to the docking station for charging, so the signal transmitter position should be clear of any obstacles.
4-5	Charging positive & negative electrode	The positive & negative electrodes on the docking station connect to those of the vacuum. Ensure there are no obstacles to impact charging.
6	Charging power DC socket	The power DC socket is used to connect the output terminal DC24V adaptor. The docking station should be placed against the wall firmly and the adaptor cable should be placed out of the vacuums cleaning space.

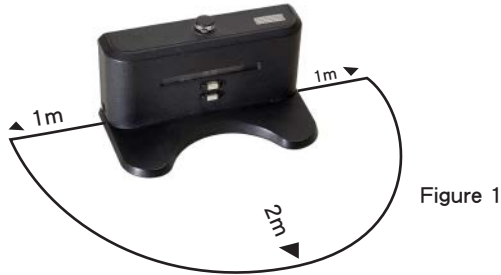
After Sales Support

Telephone: 1800 898 750
Email: service@wkfe.com.hk

Instructions Cont.

Charging

1. Install the docking station on flat ground and firmly against a vertical wall.
2. Ensure there are no obstacles or hollow areas 2m away from the docking station or 1m on the right and left (Refer Fig 1).



3. The vacuum cannot search for the docking station to charge if the infra-red transmitting signal is covered.
4. Connect the output terminal of the adaptor with the DC socket of the docking station (Refer Fig 2).



Please place the power cord of the adaptor along the wall, as it may interfere with the brush or wheels on the vacuum.

After Sales Support

Telephone: 1800 898 750
Email: service@wkfe.com.hk

Instructions Cont.

Manual Charging

You can use the adaptor or docking station to charge the vacuum.

1. Connect the adaptor directly to the main body (Refer Fig 1).



Figure 1

2. Connect the adaptor to the docking station and make sure the vacuum is in direct contact with the docking station (Refer Fig 2).



Figure 2

After Sales Support

Telephone: 1800 898 750
Email: service@wkfe.com.hk

Instructions Cont.

3. Press Charge on the remote control if you want to charge. The vacuum will search for the docking station automatically (Refer Fig 3).



Figure 3

4. Press any key on the vacuum, POWER OFF or Charge keys on the remote control while the vacuum is searching for the docking station and the search will stop.

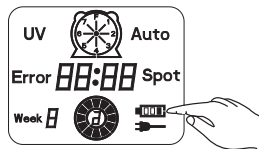


Figure 4

NOTE:

- When the battery is low the first bar on the charging icon will flicker. The second and third bar will flicker when the vacuum is charging. When charging is completed it will stop flickering (Refer Fig 4 and Fig 5).
- Three full bars indicate that the vacuum is fully charged; one bar missing indicates decreased power; and three bars missing indicates that the vacuum needs to be fully charged (Refer Fig 6).

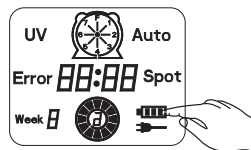


Figure 5

Automatic charging:

The vacuum will search the docking station to charge automatically when there is low battery during cleaning.

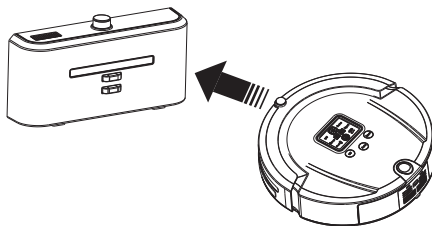


Figure 6

1. The vacuum may fail to find the docking station due to an obstacle, decreased battery power or other conditions. Ensure the docking station is in a wide open area.
2. When the vacuum finishes cleaning, the temperature of the battery is very high and charging time may take longer.

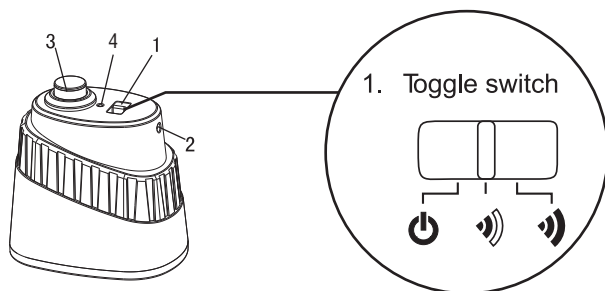
After Sales Support













Telephone: 1800 898 750
Email: service@wkfe.com.hk

Instructions Cont.

Space Isolator

The Space Isolator is an accessory of the vacuum which sends out a special infrared signal to prevent the vacuum from entering unnecessary areas.



No.	Name	Function Information
1	 Toggle switch	You can switch the function from High, Low or Off by sliding the toggle switch.
a	 Turn off	Slide  to the () position to turn the infra-red signal off.
b	 Low	Slide  to the () position to set the infra-red signal within 3 metres.
c	 High	Slide  to the () position to set the infra-red signal within 6 metres.
2	Extended infra-red transmitting head	This transmitting head enables the infra-red signal of 3 metres or 6 metres.
3	Short infra-red transmitting head	This transmitting head enables a infra-red signal around the space isolator with a scope of 50-100cm to ensure that the robot does not collide with the actual Space Isolator unit.
4	Power LED	The Power LED will flicker once every 8 seconds until you slide the toggle switch to  Low,  High. Once the infra-red signal is set, your space isolator is ready to use.

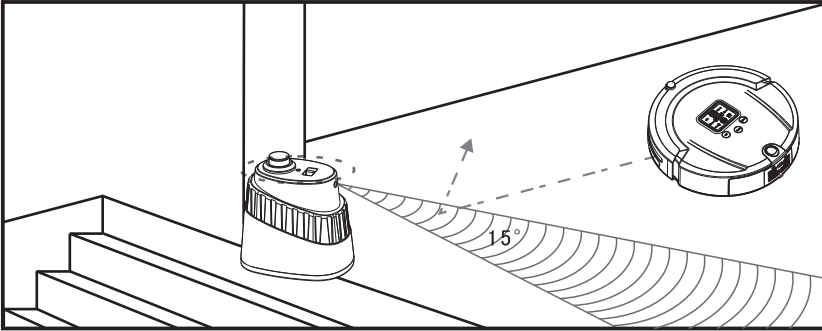
After Sales Support

Telephone: 1800 898 750
Email: service@wkfe.com.hk

Instructions Cont.

Installation Method of the Space Isolator

1. Open the battery cover and insert 2 x "D" batteries (not included) into the battery compartment.
2. The Space Isolator should generally be placed near the entrance to a room or area where you do not want the vacuum to enter.
3. Remove any obstacles from the area in front of the Space Isolator as much as possible.
4. Use the toggle switch to set the distance of signal: Low/3m & High/6m.
5. Turn off the toggle switch when not in use to save the battery.



1. The Space Isolator should be placed at the same level as the ground where the vacuum is running.
2. You should check whether the vacuum can pass the Space Isolator before use.
3. The distance between the Space Isolator and the docking station should be more than 3m or there will be interference.
4. The battery consumption is related to the selected transmitting distance and working duration. Please select proper transmitting distance and low transmitting power to save the battery. Don't forget to turn off the toggle switch while not in use.

After Sales Support

Telephone: 1800 898 750
Email: service@wkfe.com.hk

Other Useful Information

Cleaning the Dustbin and Filters

1. Extract the dustbin by pressing the key on top of the vacuum (Refer Fig 1 and Fig 2).



Figure 1

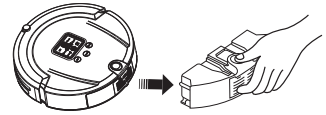


Figure 2

2. First empty the dust into a bin, and then clean the inside with the dust brush supplied (Refer Fig 3).

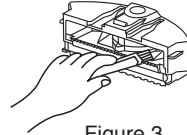


Figure 3

3. Press the small button and the air outlet will pop out automatically (Refer Fig 4). Don't clean the air outlet unit in water!



Figure 4

4. Remove the air outlet unit and then clean the air inlet/outlet with the dust brush (Refer Fig 5).

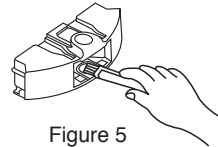


Figure 5

5. Open the dust filter bracket and the dust filter will slide open (Refer Fig 6). Take out the dust filter and then clean the dustbin in water (Refer Fig 7).

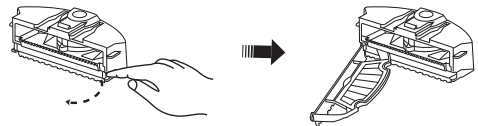


Figure 6

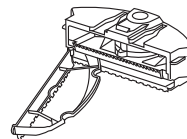


Figure 7



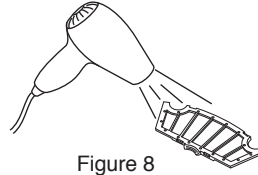
Don't use the velcro mop base and mop pad on carpet or uneven ground.

After Sales Support

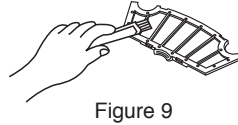
Telephone: 1800 898 750
Email: service@wkfe.com.hk

Other Useful Information Cont.

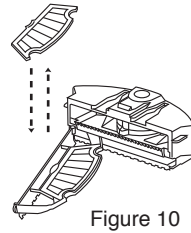
6. Clean the filter with a hairdryer or the dust brush (Refer Fig 8 and Fig 9).



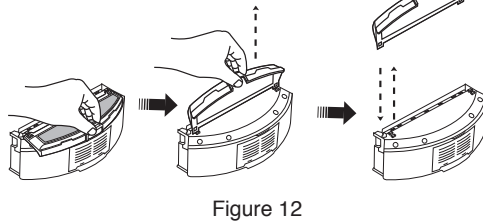
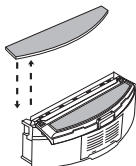
7. After cleaning, you can assemble it as it was before.



8. To change the dust filter, press the semi-circle bracket with one hand to release the fastener from the filter screen. Remove the filter with the other hand and then replace with a new filter (Refer Fig 10).



5. The velcro mop base can be attached to the dust filter bracket. To replace the dustbin, ensure that the mop is not attached. Uplug the right and left fastener of the velcro mop base on the dust filter bracket. (Refer Fig 11 and Fig 12). All parts should be re-assembled as they were before being disassembled.



After Sales Support

Telephone: 1800 898 750
Email: service@wkfe.com.hk

Other Useful Information Cont.

Cleaning the Main Brush and Floor Brush

1. Force the locking bar forward and raise the cover with your thumb. Then raise the rod of the main cleaning brush with your other hand (Refer Fig 1 and Fig 2).

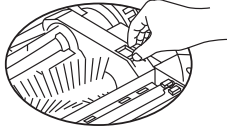


Figure 1

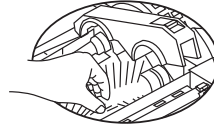


Figure 2

2. Take out the main brush and floor brush (Refer Fig 3).

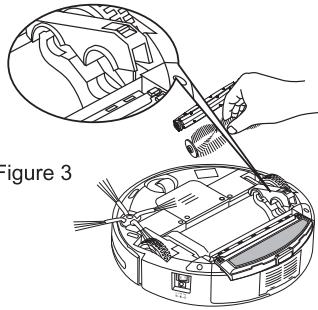
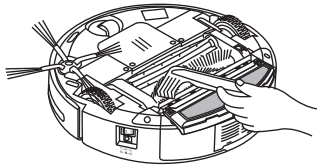


Figure 3

3. Remove any dirt build up and insert the main brush and floor brush into the holes before closing the cover.
4. Clear any hair or dust particles in the brushes regularly to improve cleaning performance. Rotate the brush carefully while removing any hair or other twisted objects.



After Sales Support

Telephone: 1800 898 750
Email: service@wkfe.com.hk

Other Useful Information Cont.

Cleaning of the Side Brush

1. Release the screw in the main shaft of the side brush before changing.
2. Press the side brush against the main shaft and then fasten the screw (Refer Fig 1) to re-assemble.

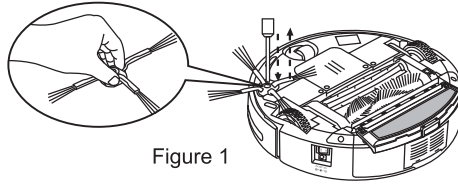


Figure 1

Cleaning of the Left/Right Wheels

1. Release the screw of the left/right wheel with a screwdriver (Refer Fig 1).
2. Take out the left/right wheel and clean them with the brush (Refer Fig 2). Don't wash in water.
3. Place the left/right wheel in the original position and tighten the screw.

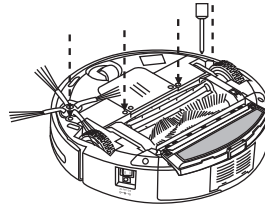


Figure 1

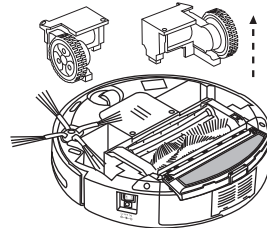


Figure 2

After Sales Support

Telephone: 1800 898 750
Email: service@wkfe.com.hk

Other Useful Information Cont.

Cleaning of Sensor and Infra-red Transparent Window

1. Clean the sensor and infra-red transparent window with a cotton swab or soft cloth.
2. The wall detection sensor is at the front of the cleaner, while the ground detection sensor and infra-red transparent window are at the bottom of the vacuum (Refer Fig 1).
3. Please keep the transparent window clean to ensure the robot vacuum works correctly.

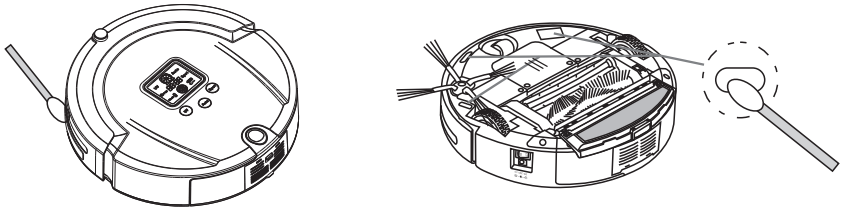


Figure 1

After Sales Support

Telephone: 1800 898 750
Email: service@wkfe.com.hk

Other Useful Information Cont.

Battery Replacement

1. Release the cover with a screwdriver, open and then take out the battery (Refer Fig 1 and Fig 2).
2. To replace the battery ensure the positive and negative electrodes are aligned correctly.

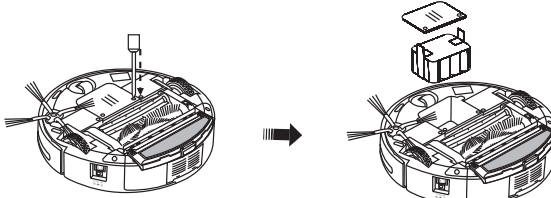


Figure 1

Figure 2



- Please don't forget to take out the battery before discarding the vacuum.
- Please remember to turn off the switch before taking out the battery from the vacuum and space isolater.
- Please don't place the battery in a high-temperature environment above 45°C or in water.
- Please don't exert external force to the battery.
- The battery should be recycled or disposed of safely.
- If the battery leaks, be careful to avoid battery liquid coming into contact with skin and clothes.
- If the battery is low it will go to the docking station to recharge which will be finished within 4-5 hours, then the robot will leave from the docking station to restart working under "full go" mode. The robot will work for more than 90-150 minutes after recharging. If the robot over heats please allow to cool for more than 2 hours.
- If you do not use the machine for a long time, please charge it every three months to avoid the battery life from shortening or damaging.

After Sales Support

Telephone: 1800 898 750
Email: service@wkfe.com.hk

Other Useful Information Cont.

Trouble Shooting

Q. The vacuum doesn't work or cleans poorly

- A.
- Check whether the switch has been turned on.
 - Check whether the dustbin, filter and air outlet is clean, and whether the side brush works.
 - Check whether the battery voltage declines quickly.
-

Q. The remote control doesn't work

- A.
- Check the battery status of the remote control.
 - Check the battery status of the robot vacuum.
 - Check the code between the remote control and vacuum (see page 7).
 - Check whether the remote control is within the available scope of the signal transmitting.
-

Q. The vacuum cannot charge automatically

- A.
- Check whether the adaptor is connected properly with the charger.
 - Check whether the battery power is too low. If so, charge the vacuum with the adaptor directly.
 - Make sure there is no barrier in front of the docking station.
 - Use the remote control to direct the vacuum to go back to the docking station.
-

Q. Increased noise while cleaning

- A.
- Check the dustbin and filter.
 - Check whether the brush or side brush is dirty.
-

Q. The vacuum stops working suddenly and rings intermittently

- A.
- Check whether the set cleaning time is over.
 - Check whether there are any failure codes on the display.
-

Q. The vacuum backs off continuously

- A.
- Avoid use in sunlight or on dark coloured carpet.
 - Pat the front bumper.
-

Q. The vacuum drops from the stairs

- A.
- Clean the ground detection sensors at the front bottom of the vacuum.
-

Q. The vacuum cannot Auto Charge after not using the appliance for a long time

- A.
- Use the adaptor to fully charge first.
-

Q. The vacuum has stopped working, but no error code is displayed

- A.
- Don't disassemble the vacuum.
Please contact the after sale support number.
-

After Sales Support

Telephone: 1800 898 750
Email: service@wkie.com.hk

Other Useful Information Cont.

Failure Information which may Appear During Use

Failure Code	Failure Cause	How to solve
E001	Ground detection sensors	Clean the sensors at the front bottom of the vacuum
E002	Main brush	Clean rubbish such as hair and thread wrapped on the brush
E003	Power off	Use the adaptor to charge, after fully charged, then use again
E004	Left & right wheel	Check the left and right wheels are clear from any dust build up
E005	Dustbin issue	Check the dustbin is connected correctly to the vacuum



If the failure still exists after the above check, please contact the after sale service support number.

***Ensure you have charged the vacuum for 12 hours before first use even if the battery is not flat.**

***The following steps are very important, or the remote control may fail.**

You should check the code of the remote control and vacuum so that they can function together.

1. Check that the remote control and vacuum have enough power, turn off the vacuum, press OK on the remote control for more than 4 seconds, and then turn on the vacuum without releasing OK. After the vacuum beeps twice, release OK, then the code check set is finished.
2. If you fail to hear a beep during the code check, just repeat the above process.

After Sales Support

Telephone: 1800 898 750
Email: service@wkfe.com.hk

Other Useful Information Cont.

Technical Specifications of the Vacuum

1	Rated Voltage	Ni-MH 14.4V
2	Battery	Rechargeable battery (charge time is approx, 5 hours)
3	Working Hours	Approx. 90 minutes (2200mA)
4	Rated Power	<24W
5	Operating Temperature Range	-10°C ~ 45°C
6	Operating Humidity Range	≤85RH
7	AC/DC Adaptor	AC 100/240V - 50/60Hz DC 24v 1.0A
8	Wireless Remote	ISM Frequency Band 2.4GHz
9	Size	320 x 87mm (including wheel height)
10	Weight	3.2kg
11	Battery Capacity	2200mA

Technical Specifications of the Remote Control

Applicable Models	Ni-MH 14.4V
Rated Voltage	3V
Battery	2 AAA batteries (not included)
Remote Mode	ISM Frequency Band 2.4GHz
Receiving & Transmitting Distance	≤10M
Transmitting Power	0dB
Operating Temperature Range	-10°C ~ 45°C
Operating Humidity Range	≤85RH
Size	135 x 47 x 22.5mm
Weight	0.08kg

Technical Specifications of the Docking Station

Size	L x W x H: 200 x 51 x 102mm
Weight	0.23kg
Rated Voltage	24V

Technical Specifications of the Space Isolator

Size	L x W x H: 102 x 71 x 106mm
Weight	0.14kg
Rated Voltage	3V
Battery	2 Batteries "D" 3V (not included)

After Sales Support

Telephone: 1800 898 750
Email: service@wkfe.com.hk

Other Useful Information Cont.

Spare Parts Ordering

You may order below listed spare parts for your Robot Vacuum Cleaner A-320:

- Send an email to order@wkfe.com.hk and advise what spare parts are required and the quantity you would like to order.
- Please advise your full name, email, delivery address and contact number.
- We will advise the charges for your order including postage to your address.
- After you confirm the order a payment request via Paypal will be initiated. You will receive an email from Paypal with payment instructions. You don't need to register with Paypal, you just need a credit card and email address.
- After receipt of payment the spare parts will be mailed to you without any extra delivery or handling charges.
- Please keep this information for future reference, whenever you would like to order spare parts for Robot Vacuum Cleaner A-320.

	Cleaning Brush		Dust Filter		Charging Station
	Main Brush (incl. 1 rubber cover)		Dust Filter Bracket		Space Isolator
	Rubber Brush (incl. 1 rubber cover)		Velcro Mop Base		Remote Control
	Brush Rubber Cover		Mop Pad		Battery
	Side Brush		Air Outlet		Power Adaptor

After Sales Support

Telephone: 1800 898 750
Email: service@wkfe.com.hk

Other Useful Information Cont.

Disposal



Packaging

Your device has been packaged to protect it against transportation damage. The packaging constituents are raw materials and can be reused or recycled.



Device

At the end of its life, the device should not be disposed of in household rubbish. Please enquire about the options for environmentally friendly disposal.



Batteries

Do not dispose of used batteries in household rubbish. Batteries should be taken to a collection point for used batteries.



After Sales Support

Telephone: 1800 898 750
Email: service@wkfe.com.hk



 **STIRLING**[®]
Robot Vacuum Cleaner

Repair and Refurbished Goods or Parts Notice

Unfortunately, from time to time, faulty products are manufactured which need to be returned to the Supplier for repair.

Please be aware that if your product is capable of retaining user-generated data (such as files stored on a computer hard drive, telephone numbers stored on a mobile telephone, songs stored on a portable media player, games saved on a games console or files stored on a USB memory stick) during the process of repair, some or all of your stored data may be lost.

We recommend you save this data elsewhere prior to sending the product for repair.

You should also be aware that rather than repairing goods, we may replace them with refurbished goods of the same type or use refurbished parts in the repair process.

Please be assured though, refurbished parts or replacements are only used where they meet ALDI's stringent quality specifications.

If at any time you feel your repair is being handled unsatisfactorily, you may escalate your complaint. Please telephone us on SUPPLIER TELEPHONE or write to us at:

Wachsmuth & Krogmann, Inc.
621 IL Route 83
Suite 202
Bensenville, IL 60106
service@wkfe.com.hk

After Sales Support

Telephone: 1800 898 750
Email: service@wkfe.com.hk

MODEL: A320 PRODUCT CODE: 43866 06/2014

