

Devireg™ 535-series

Features:

- Double pole safety breaker
- The lowest standby consumption on the market, max. 0.30W
- Built-in sensor failure monitoring circuit, which will switch off the heating if the sensor is disconnected or short circuited
- Light indication (LED) for function/fault
- IP 31 - Suitable for use inside bathrooms
- 15 A - Covers areas up to 34,5 m² at 100 Watt/m²
- 80 days battery back-up
- Childproof function
- 3 in 1 thermostat - can be programmed to use floor sensor alone, room sensor alone or combined room- and floor sensor.
- Can be locked at a certain maximum floor temperature - which makes the 535 very well suited for wooden floor applications
- Can be programmed at a certain minimum temperature – which ensures a comfortable warm floor temperature even on a warm summer day.
- Displays actual temperature
- Digital timer thermostat
- Electronically Thermal Compensated (ETC system) enables the Devireg® 535 to work with the same optimal relay frequency regardless of the load, thereby maintaining the chosen temperature very precisely – in all weather conditions and all sizes of rooms.



The digital timer thermostat Devireg 535 comprises several functional benefits for end users as well as installers. Devireg 535 contains three functions in one, allowing the installer to set the thermostat to floor sensor, - room sensor or a combination of the two. This means that the thermostat is suitable for all rooms in the house. Devireg 535 is IP class 31 which makes it suitable for installation in wet rooms: One thermostat for all purposes.

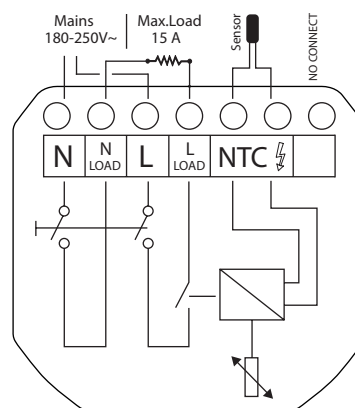
Functions:

- Controlling the room temperature.
- Timing room by room temperature
- Frost protection.
- Controlling the room temperature and limiting the floor temperature which also makes the Devireg™ 535 suitable for wooden floors.

Applications:

Indoor room/comfort heating.

Technical data	
Operation voltage	180-250 VAC, 50/60 Hz
Standby power consumption	Max. 0.30 W
Relay: • Resistive load • Inductive load	230V ~ 15A / 3450W cos φ= 0.3 Max. 4A
Sensing unit	NTC 15 kOhm at 25°C
Sensing values: • 0°C • 20°C • 50°C	42 kOhm 18 kOhm 6 kOhm
Hysteresis	± 0.2°C with room sensor, ± 0.4°C with floor sensor only
Ambient temperature	-10° to +30°C
Frost protection	5°C
Temperature range	5-35°C with room sensor, 5-45°C with floor sensor only. Floor max. 20-50°C, floor min. 10-45°C only when installed with room and floor sensor combination
Sensor failure monitoring	The thermostat has a built-in monitoring circuit, which will switch off the heating if the sensor is disconnected or short-circuited
Light indications (LED) • No light • Green light • Green light flashing • Red light • Switching between red and green light	The system is turned off System is standing by, set point temperature reached Floor sensor is defect System is heating The floor temperature limit prevents the set point room temperature from being reached.
IP class	31
Dimensions (H/W/D):	86x36x53 mm



DEVI A/S

Ulvehavevej 61

DK-7100 Vejle

Tel.: +45 76 42 47 00

Fax: +45 76 42 47 01

www.devi.com

DEVI  TM

Member of the Danfoss Group