

Industrial Motors and Mass Transit Technology Carbon Brushes – Order Guide

Carbon Brushes – Order Guide

With this information sheet we like to give our customers a tool to facilitate the order procedures of carbon brushes. It will show on the following pages the information required, to enable us to suggest the most appropriate carbon design and carbon grade for your application. It further assures a speedy and smooth handling of any order.

The easiest and fastest way for us to determine the correct design, is to receive a new or used sample of your present brush. This will eliminate the need to furnish other pertinent information regarding the proper design.

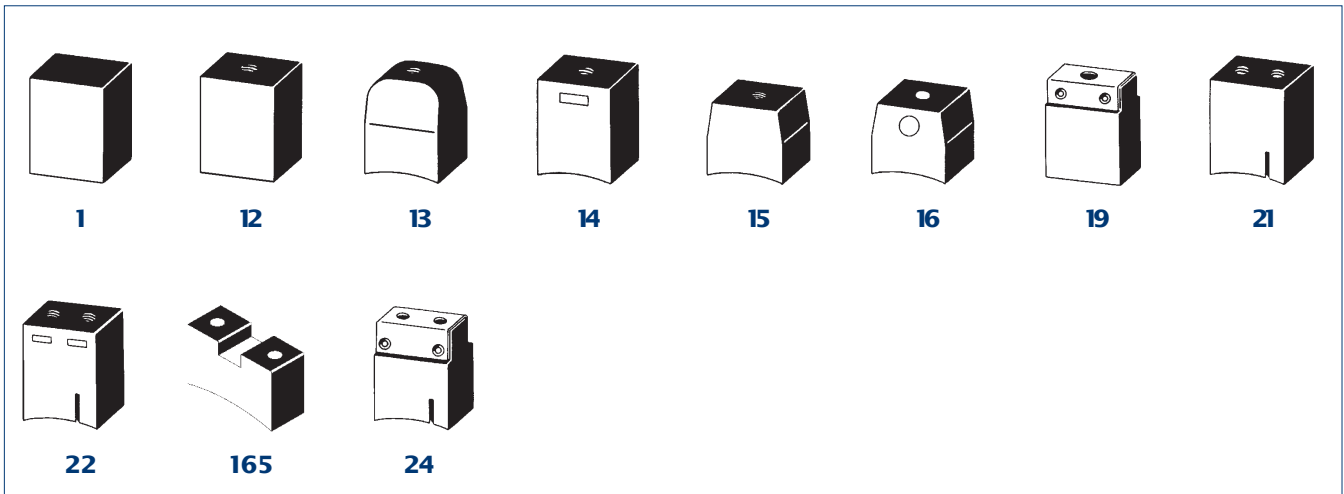
Should it however not be possible to provide an actual sample, we kindly request as much information as possible. This order guide will be a tool to help establish the required data.

We kindly ask you to fill out the Carbon Brush Order Guide as complete as possible and record in particular the presently used carbon grade.

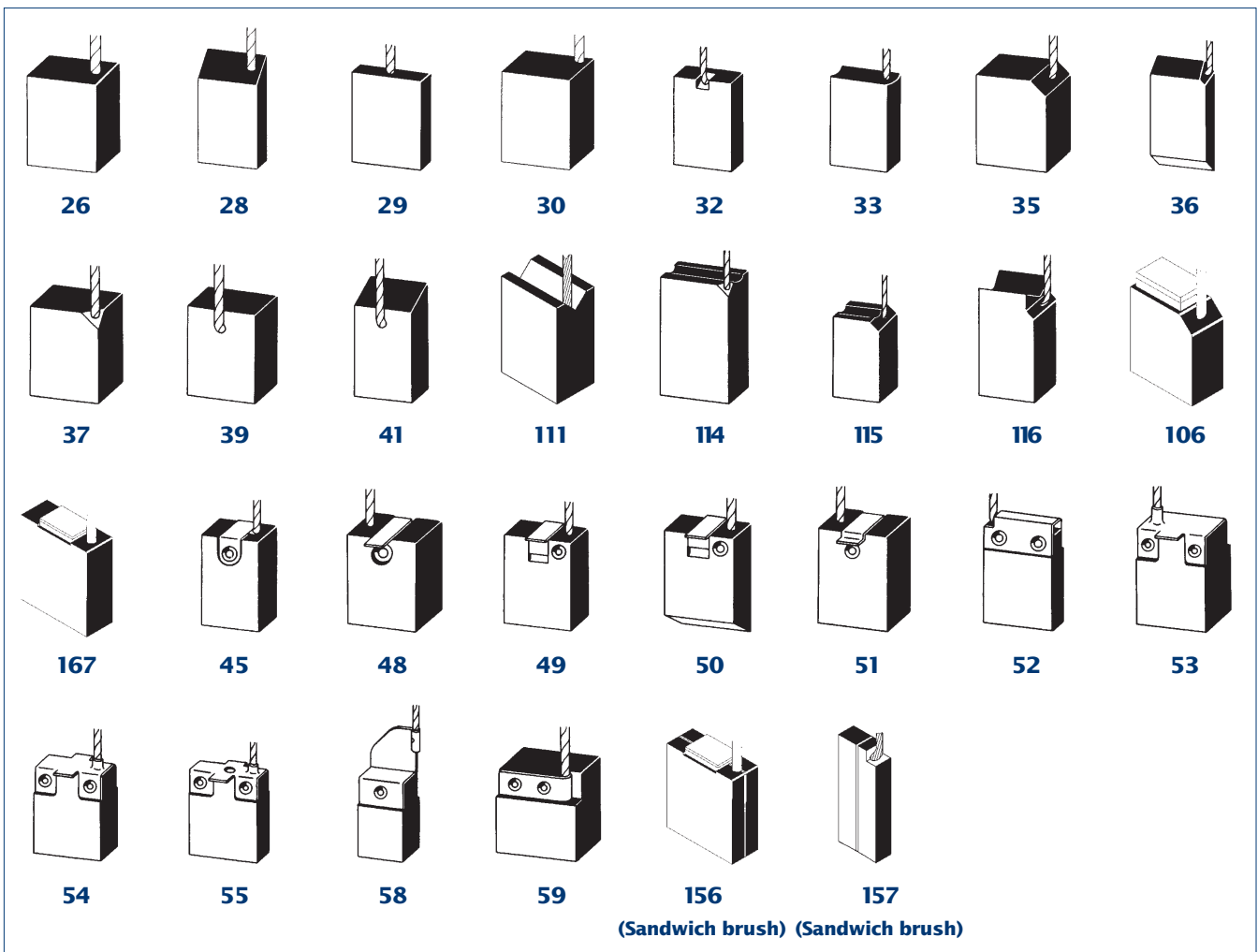
Our manufacturing program covers carbon brushes for any possible electro motor application. Many styles are available ex stock on short notice.

For carbon brushes with attachments we reserve the right to provide the most suitable method of mounting between carbon brush and shunt, and between shunt and shunt-terminal.

Block brushes, without shunts



Block brushes, one shunt

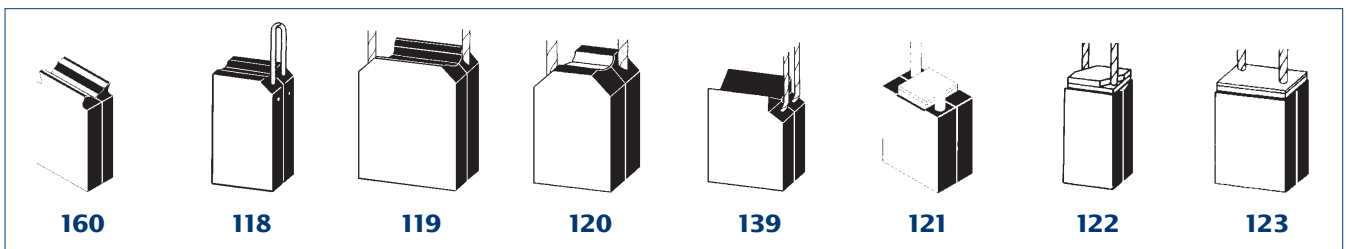


Carbon Brushes – Order Guide

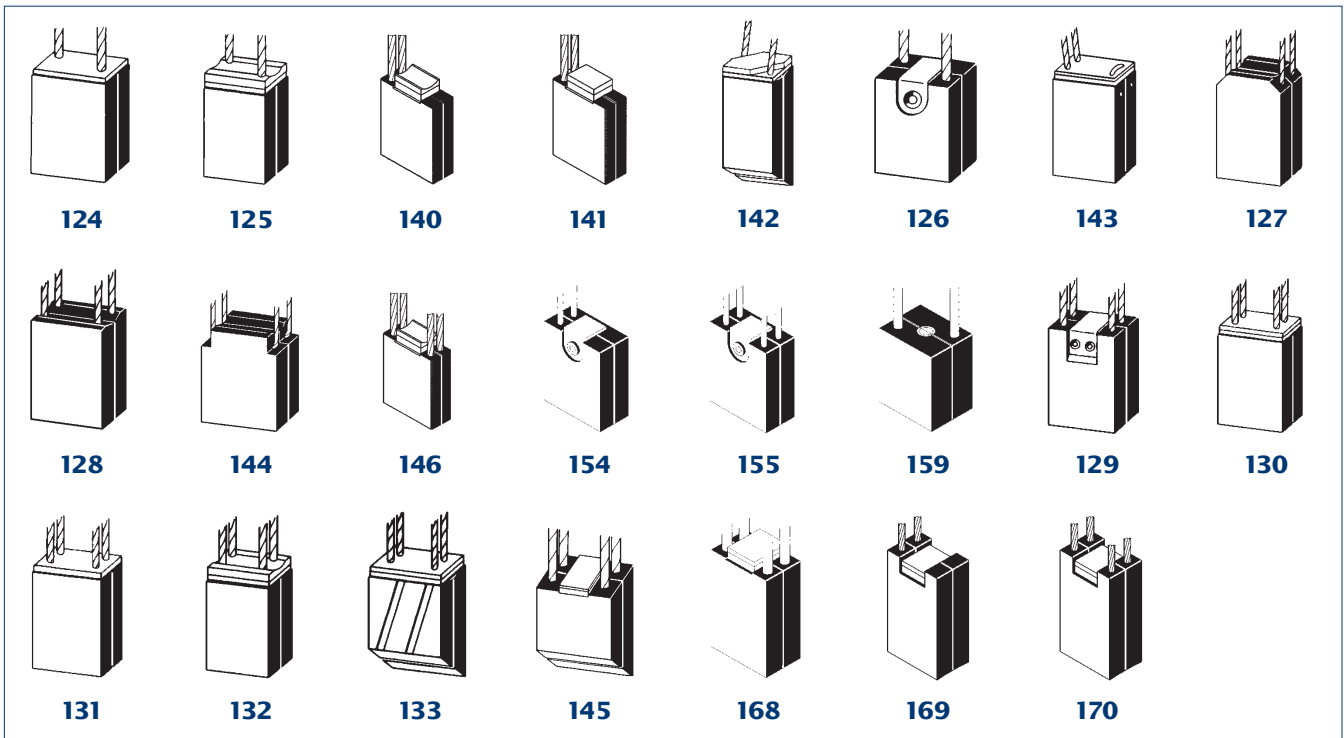
Block brushes, two or more shunts



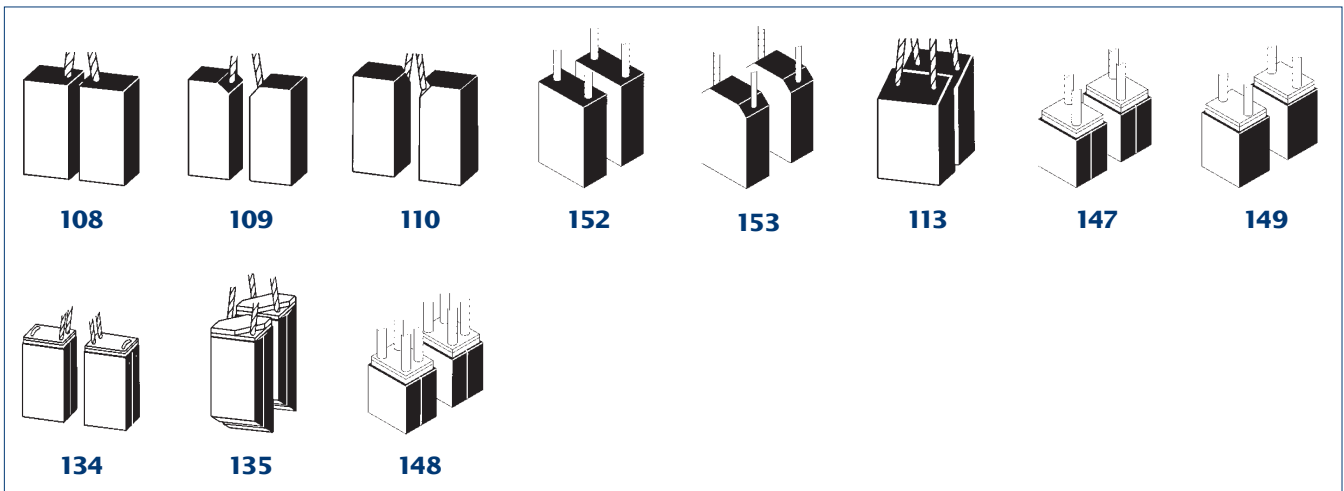
Twin brushes



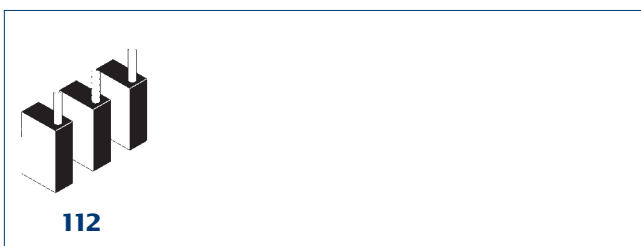
Twin brushes or split brushes



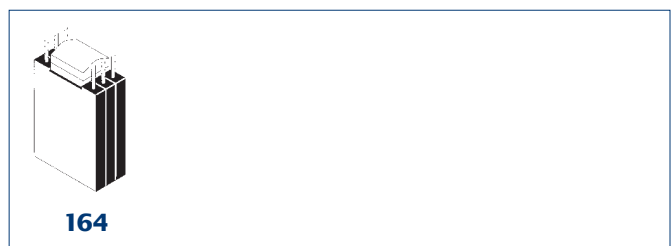
Pair brushes



Block brush – triple mounted



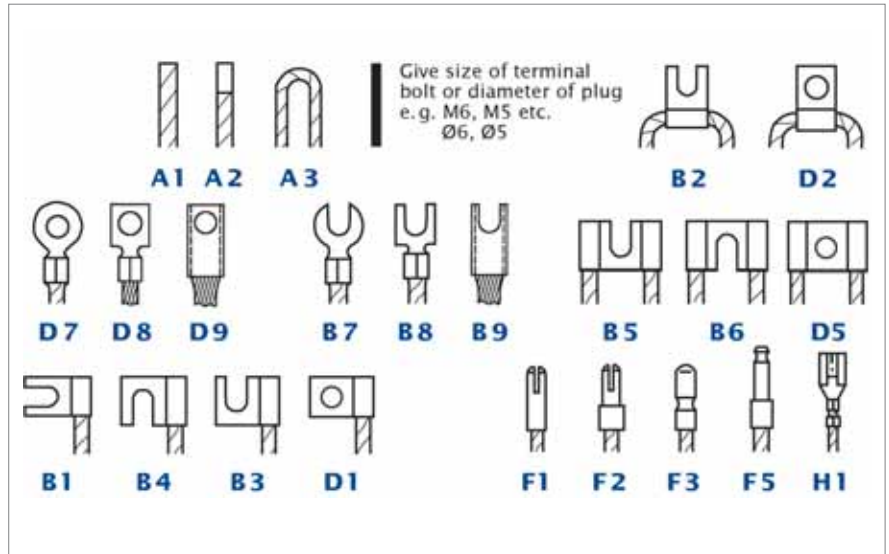
Triple brush



Carbon Brushes – Order Guide

Shunt

- Terminal
- Design



Brush Dimensions

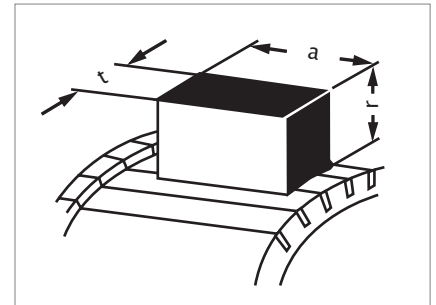
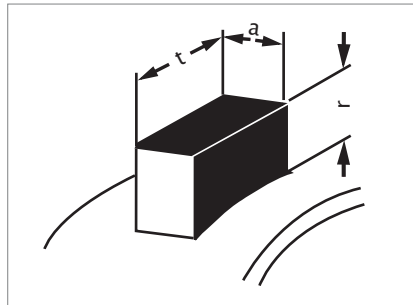
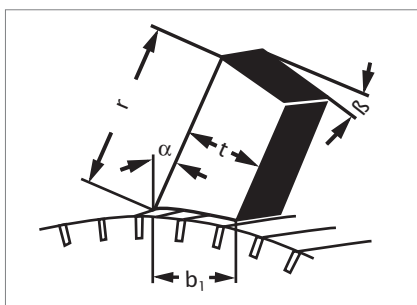
The dimensions of carbon brushes are measured in the following sequence

t x a x r

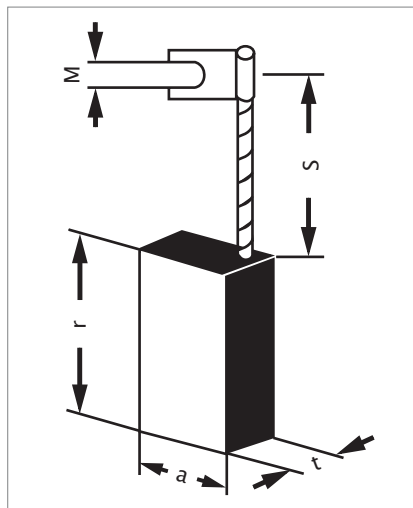
- t** = tangential (in direction of circumference - i. e. thickness)
- a** = axial (in direction of axle - i. e. width)
- r** = radial (in direction of diameter - i. e. length, incl. head plate)

Please be request to indicate the dimensions in this sequence.

If other than rectangular designs of carbon brushes are required, please indicate additional information, e. g. bevel of contact surface, contact surface slots, etc. For beveled brushes please specify the angle of running- and head-bevel.



For carbon brushes with fittings additional information is required. Please see the following **example**:



Explanation:

S = Shunt length, measured from top of brush to center of terminal, respectively center of terminal bolt
M = Size of terminal bolt, e. g. "M6"

Example

Brush Design:
Figure No. 26 (see page 3)

Brush Dimension:
t x a x r
e. g. 10 x 25 x 32 mm

Shunt Length:
S = e. g. 75 mm

Design of Terminal:
e. g. Figure No. B1

Width of Slot:
e. g. 6 mm (M6)

Schunk Kohlenstofftechnik GmbH

Rodheimer Strasse 59
35452 Heuchelheim
Germany

Phone: +49 (0)641 608-0
Fax: +49 (0)641 608-1748

www.schunk-group.com
info@schunk-group.com