

# Electrolux-Bitola

+389 47 203 330-+389 02 3298 130 R.Macedonia

## T1-0000 STRAIGHT THERMOELEMENTS WITH A PtRh-Pt THERMOCOUPLE

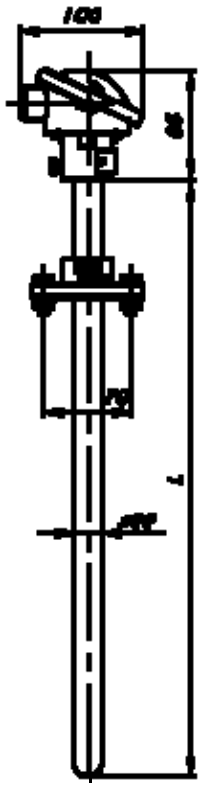
	<b>Instructions for use</b>		
	Protection tube material	Usable Up to °C	Stability
	Thermoelement-porcelain (KER 610)	1500	For all types of gas free of liquid acids and alkaline vapours
	Oxide coated Ceramic (KER710)	1600	For alkaline vapours glass melting and lime roasting furnances

Temperature	Protection Tube	Nominal Length L [mm]	Catalogue No	
			1 Thermocouple	2 Thermocouples
Up to 1500°C	Thermoelement-porcelain Φ 15 x 2 (KER 610)	500	T1-1361	T1-2361
		710	T1-1362	T1-2362
		1000	T1-1363	T1-2363
		1400	T1-1364	T1-2364
Up to 1600°C	Oxide-coated ceramic Φ 15 x 2,5 (KER 710)	500	T1-1371	T1-2371
		710	T1-1372	T1-2372
		1000	T1-1373	T1-2373
		1400	T1-1374	T1-2374
Up to 1600°C	Porous Ceramic Φ 26 x 4 KER 530 with an inner tube Φ 15 x 2 (KER 610)	500	T1-1351	T1-2351
		710	T1-1352	T1-2352
		1000	T1-1353	T1-2353
		1400	T1-1354	T1-2354

# Electrolux-Bitola

+389 47 203 330-+389 02 3298 130 R.Macedonia

## T2-0000 STRAIGHT THERMOELEMENTS

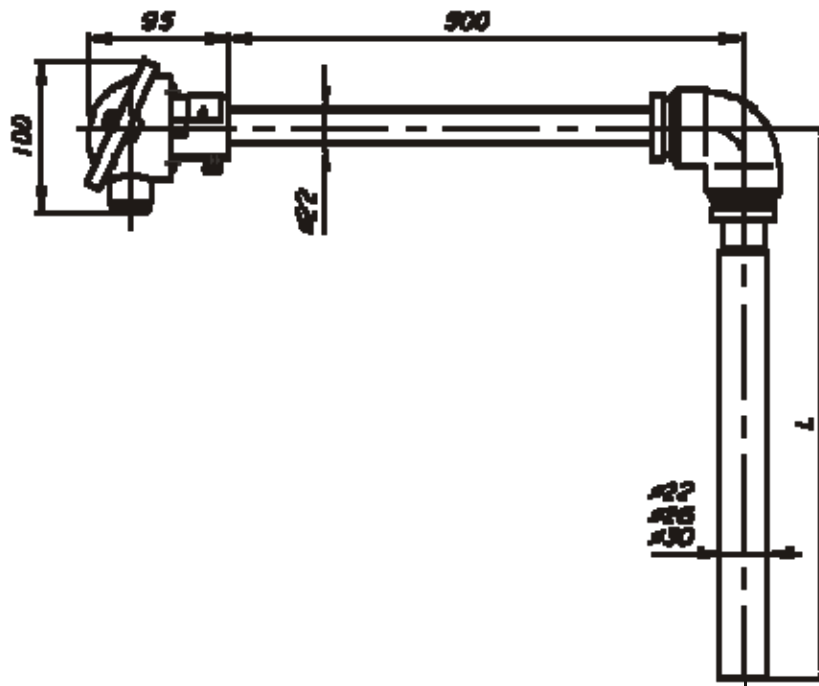
	<b>Instructions for Use</b>				
	<b>Protection Tube Material</b>	<b>Usable Up to °C</b>	<b>Stability</b>		
			<b>In sulphuric atmosphere</b>		<b>In Nitrogene atmosphere with scarce Oxygen</b>
			<b>Oxidizing</b>	<b>Reducing</b>	
	St.35.8	550	low	low	medium
St.4970 W.Nr. 1.4762	1200	very high	high	low	
St.4578 W.Nr. 1.4841	1200	low	low	high	
<b>Temperature</b>	<b>Thermocouple</b>	<b>Protection Tube</b> Ø22 x 2	<b>Nominal Length</b> L [mm]	<b>Catalogue No</b>	
				<b>1 Thermocouple</b>	<b>2 Thermocouples</b>
Up to 700°C	Fe-CuNi	St 35.8 Enamel-covered	500 710 1000	T2-1121 T2-1122 T2-1123	T2-2121 T2-2122 T2-2123
Up to 700°C	NiCr-Ni	St 35.8 emajlirana	500 710 1000	T2-1221 T2-1222 T2-1223	T2-2221 T2-2222 T2-2223
Up to 1200°C	NiCr-Ni	St 4970 W.Nr.1.4762	500 710 1000	T2-1231 T2-1232 T2-1233	T2-2231 T2-2232 T2-2233

# Electrolux-Bitola

+389 47 203 330-+389 02 3298 130 R.Macedonia

			1400 2000	T2-1234 T2-1235	T2-2234 T2-2235
Up to 1200°C	NiCr-Ni	St 4578 W.Nr.1.4841	500 710 1000 1400 2000	T2-1241 T2-1242 T2-1243 T2-1244 T2-1245	T2-2241 T2-2242 T2-2243 T2-2244 T2-2245

## T3-0000 ANGULAR THERMOELEMENTS



For Salt Bath			For Melted Metals		
Protection Tube Material	Usable Up to (temperature)	Medium	Protection Tube Material	Usable Up to (temperature)	Medium
Technically pure iron	550°C 950°C	Cyan Saltpeter	Technically pure iron	700°C 650°C 600°C	Aluminium Tin Zinc
SL 25 X20CrNiSi2 54	1300°C		X10CrSi29	900°C 1250°C	Brass Copper
Temperature	Thermocouple	Protection	Nominal	Catalogue No	

# Electrolux-Bitola

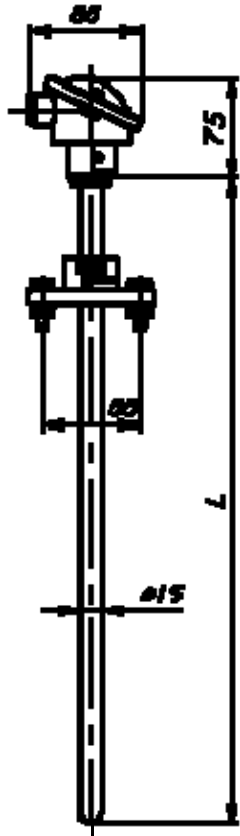
+389 47 203 330-+389 02 3298 130 R.Macedonia

		<b>Tube</b> Ø 22 x 2	<b>Length</b> L [mm]	<b>1</b> <b>Thermocouple</b>	<b>2</b> <b>Thermocouples</b>
Up to 700 <sup>0</sup> C	Fe-CuNi	Technically Pure Iron W.Nr.1.1003	500 710 1000	T3-1111 T3-1112 T3-1113	T3-2111 T3-2112 T3-2113
Up to 950 <sup>0</sup> C	NiCr-Ni	Technically Pure Iron W.Nr.1.1003	500 710 1000	T3-1211 T3-1212 T3-1213	T3-2211 T3-2212 T3-2213
Up to 950 <sup>0</sup> C	NiCr-Ni	Technically Pure Iron W.Nr.1.1003	500 710 1000	T3-1221 T3-1222 T3-1223	T3-2221 T3-2222 T3-2223
Up to 1200 <sup>0</sup> C	NiCr-Ni	X10CrSi29 W.Nr.1.4772 Φ26 x 4	500 710 1000	T3-1221 T3-1222 T3-1223	T3-2221 T3-2222 T3-2223
Up to 1250 <sup>0</sup> C	PtRh-Pt	X20CrNiSi254 SL 25 Č.4586	500 710 1000	T3-1331 T3-1332 T3-1333	T3-2331 T3-2332 T3-2333

# Electrolux-Bitola

+389 47 203 330-+389 02 3298 130 R.Macedonia

## T4-0000 THERMOELEMENTS AND RESISTANCE THERMOMETERS FOR CHIMNIES



**Connecting Head:** Form B - DIN 43729

**Flange:** Tempered casting,  
movable over the protection  
tube

**Measuring Insert:**  $\Phi$  8 mm

### THERMOELEMENTS

Temperature	Measuring Resistance	Protection Tube	Nominal Length L [mm]	Measuring Insert $\Phi$ 8 length [mm]	Catalogue No	
					1 Thermocouple	2 Thermocouples
Up to 700°C	Fe-CuNi $\Phi$ 1 mm (in mea.in.)	St.35.8 $\Phi$ 15 x 2 enamel-covered	500	525	T4-1111	T4-2111
			710	735	T4-1112	T4-2112
			1000	1025	T4-1113	T4-2113
Up to 700°C	NiCr-Ni $\Phi$ 1 mm (in mea.in.)	St.35.8 $\Phi$ 15 x 2 enamel-covered	500	525	T4-1211	T4-2211
			710	735	T4-1212	T4-2212
			1000	1025	T4-1213	T4-2213

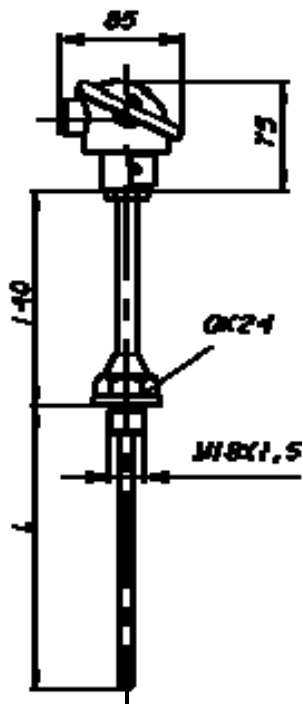
# Electrolux-Bitola

+389 47 203 330-+389 02 3298 130 R.Macedonia

## RESISTANCE THERMOMETER

Temperature	Measuring Resistance	Protection Tube	Nominal Length L [mm]	Measuring Insert $\varnothing$ 8 length [mm]	Catalogue No	
					1 x Pt 100	2 x Pt 100
Up to 400°C	Pt 100 JUS L.F2.051 (in mea.in.)	St.35.8 $\varnothing$ 15 x 2 enamel-covered	500	525	T4-1411	T4-2411
			710	735	T4-1412	T4-2412
			1000	1025	T4-1413	T4-2413
Up to 650°C	Pt 100 JUS L.F2.051 (in mea.in.)	St.35.8 $\varnothing$ 15 x 2 enamel-covered	500	525	T4-1411.6	T4-2411.6
			710	735	T4-1412.6	T4-2412.6
			1000	1025	T4-1413.6	T4-2413.6

### T5-0000 IN-WELDING THERMOELEMENTS AND RESISTANCE THERMOMETERS



Connecting Head: Form B - DIN 43729

Measuring Insert:  $\varnothing$  6 mm

TERMOELEMENTI

# Electrolux-Bitola

+389 47 203 330-+389 02 3298 130 R.Macedonia

Temperature	Measuring Resistance	Nominal Length L [mm]	Measuring Insert Length [mm]	Catalogue No	
				1 Thermocouple	2 Thermocouples
Up to 540°C	Fe-CuNi Φ1 mm	140	315	T5-1111	T5-2111
		200	375	T5-1112	T5-2112
Up to 540°C	NiCr-Ni Φ1 mm	140	315	T5-1211	T5-2211
		200	375	T5-1212	T5-2212

## RESISTANCE THERMOMETERS

Temperature	Nominal Length L [mm]	Measuring Insert Length [mm]	Catalogue No	
			1 x Pt 100	2 x Pt 100
Up to 400°C	140	315	T5-1411	T5-2411
	200	375	T5-1412	T5-2412
Over 400°C	140	315	T5-1411.6	T5-2411.6
	200	375	T5-1412.6	T5-2412.6

# Electrolux-Bitola

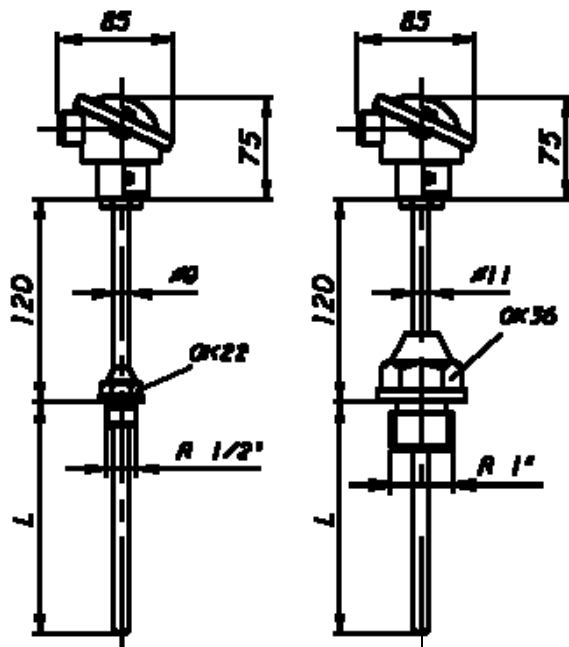
+389 47 203 330-+389 02 3298 130 R.Macedonia

## IN-WELDING PROTECTION TUBE

It is manufactured by drilling a solid material  $\Phi 24$  with taper end Type D - DIN 43763. Loading of an in-welding protection tube as per DIN 43763 is subject to many factors: a sort of measuring medium, its temperature, pressure and flow speed, protection tube material and fit-in length.

Nominal Length L [mm]	Taper Length Lk [mm]	Material
140 200	65 125	St. 7400 W.Nr. 1.7335
140 200	65 125	St. 7401 W.Nr. 1.7380

## T6-0000 SCREW-FASTENING THERMOELEMENTS AND RESISTANCE THERMOMETERS



Connecting Head: Form B - DIN 43729

Measuring Insert:  $\Phi 6$  mm

Screw-fastening section: G", G1

Flow Speed allowed: - air: 9m/s  
- water: 2 m/s

## THERMOELEMENTS

Temperature	Thermocouple	Protection	Nominal	Measuring	Catalogue No
-------------	--------------	------------	---------	-----------	--------------



# Electrolux-Bitola

+389 47 203 330-+389 02 3298 130 R.Macedonia

		Tube	Legth L [mm]	Insert Length [mm]	1 Thermocouple	2 Thermocouples
Up to 400°C	Fe-CuNi	Ø 9 x 1,5 St.4572 W.Nr.1.4571	160 250	315 405	T6-1111 T6-1112	T6-2111 T6-2112
Up to 400°C	NiCr-Ni	Ø 9 x 1,5 St.4572 W.Nr.1.4571	160 250	315 405	T6-1211 T6-1212	T6-2211 T6-2212
Up to 500°C	Fe-CuNi	Ø 11 x 2 St.7400 W.Nr. 1.7335	160 250	315 405	T6-1121 T6-1122	T6-2121 T6-2122
Up to 500°C	NiCr-Ni	Ø 11 x 2 St.7400 W.Nr. 1.7335	160 250	315 405	T6-1221 T6-1222	T6-2221 T6-2222

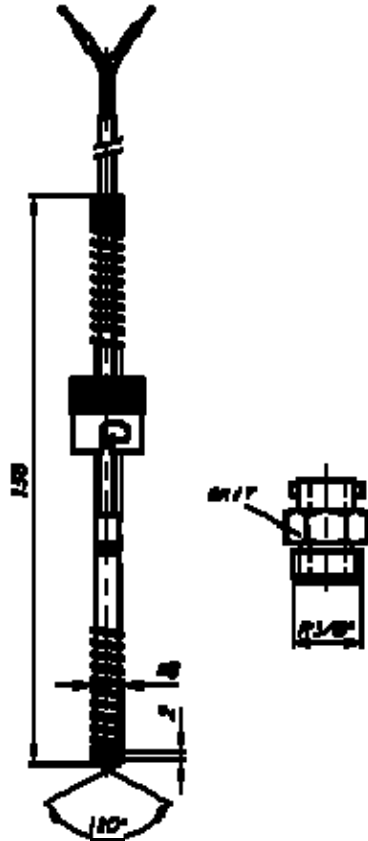
## RESISTANCE THERMOMETERS

Temperature	Measuring Resistance	Protection Tube	Nominal Length L [mm]	Measuring Insert Length [mm]	Catalogue No	
					1 x Pt 100	2 x Pt 100
Up to 400°C	Pt 100	Ø 9 x 1,5 St.4572 W.Nr.1.4571	160 250	315 405	T6-1411 T6-1412	T6-2411 T6-2412
Up to 500°C	Pt 100	Ø 11 x 2 St.7400 W.Nr. 1.7335	160 250	315 405	T6-1421 T6-1422	T6-2421 T6-2422

# Electrolux-Bitola

+389 47 203 330-+389 02 3298 130 R.Macedonia

## T7-0000 SPECIAL TERMOELEMENTS AND RESISTANCE THERMOMETERS



### Resistance Thermometers with a Bayonet Socket up to 250 °C

Used for measuring temperature on the plastic processing machines, bearing, etc.

**Measuring Resistance:** Pt 100(JUS L.F2.051) fixed to a temperature resistant cable of length 2 m.(longer are available at a special request)

**Building-In Length:** 40...150 mm, adjustable by moving nut over the spring

### Catalogue No: T7 – 1431

### Bayonet Socket Thermoelement up to 400°C

Used for measuring temperature on Plastic Processing Machines, on bearings, etc.

**Thermoelement:** Fe-CuNi(JUS L.F2.008)

**Compensation Cable:** L=3m, fixed

**Fit-In Length:** 40...150 mm, adjustable by moving a nut over the spring

### Catalogue No: T7 – 1131

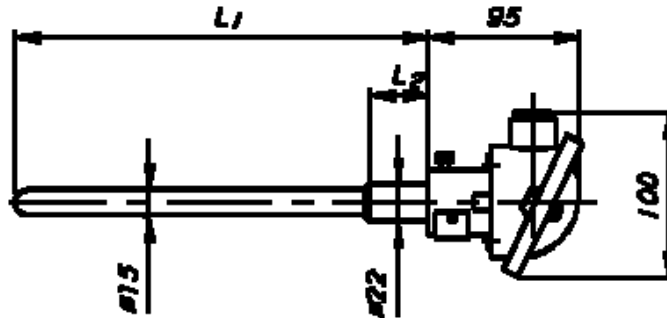
Screw-fastening section G3/8 is supplied with resistance thermometer or thermoelement.

# Electrolux-Bitola

+389 47 203 330-+389 02 3298 130 R.Macedonia

## STRAIGHT THERMOELEMENT (short)

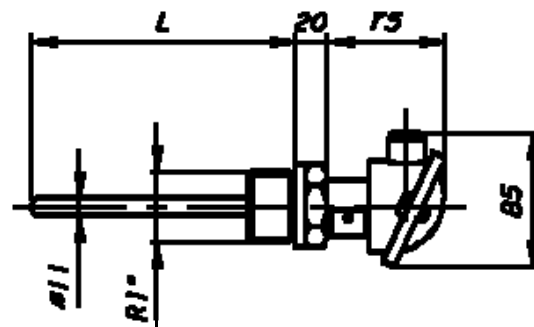
Connecting Head as per DIN 43729 type A or type B  
 1 Thermocouple NiCr-Ni as per JUS L.F2.011  
 Carrying Tube  $\Phi$  22x2, material St.1214  
 Protection Tube  $\Phi$  15x2, material KER 610



L 1	L 2	Kataloški broj
250	35	T7 - 1211
330	40	T7 -1212

## RESISTANCE THERMOMETER (without neck tube)

Connecting Head as per DIN 43729 type B  
 Measuring Resistance 1 x Pt 100 as per JUS L.F2.051,  
 Protection Tube Material  $\Phi$  11x2: St.4574



L [mm]	130	160	385	500
Cat. No	T7-1421	T7-1422	T7-1423	T7-1423

### At a Special Request

Resistance Thermometers and Thermoelements are manufactured at a Customer's special request.

# Electrolux-Bitola

+389 47 203 330-+389 02 3298 130 R.Macedonia