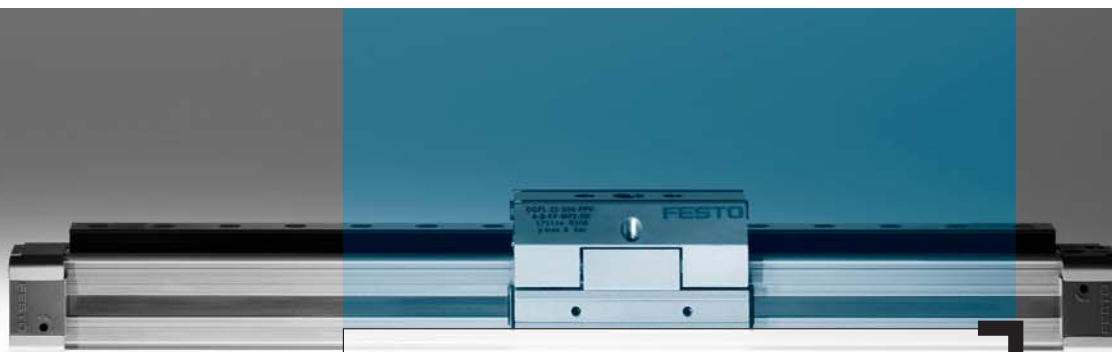


Rodless drive units DGP/DGPL

FESTO



dynamically accurate!

Great force in a small space: the rodless drive units DGP/DGPL with convincing dynamic response and precision.

Low space requirement, high dynamic response and high torque resistance – with high rigidity

The pneumatic drive units DGP/DGPL.

For improved guidance

Variants with recirculating ball-bearing guide for maximum precision and load capacity.

For more gaining space

Through an optimized stroke to overall length ratio and integrated proximity sensor type SM...-8.

For more process reliability

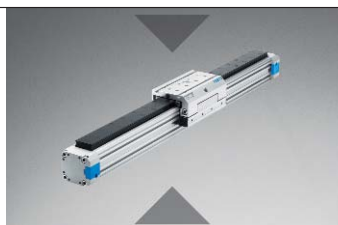
Long service life and low leakage.

For lower costs

High reliability through favourable acquisition costs, simple installation and commissioning.

For more flexibility

With 7 sizes from 18 to 80 mm and innumerable variants like dirt-protected design, clamping unit or heavy duty guide, the broadest range in the market. inclusive of variable air connections, mounting and assembling options. The rodless drive units DGC-8 and DGC-12 are available for space saving applications.



Space optimised,



high dynamic response!



7 sizes: 18 ... 80 mm

114.1.PSI →

Product Short Information

Rodless drive units DGP/DGPL



Modern drives – systematically economic*

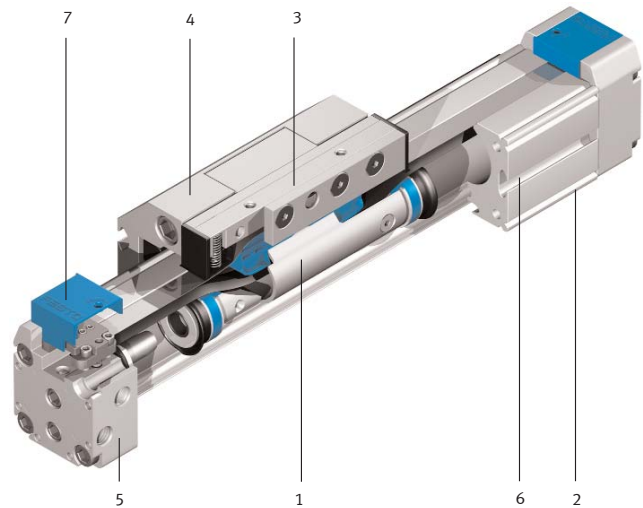
Designs and variants

Variants

- Air connection on both sides
- Clamping unit front, below and rear
- Lengthened slide/piston
- Protected design
- Load inverter for basic cylinder DGP

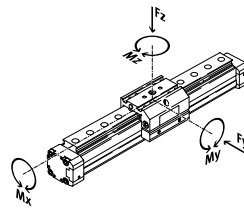
Overview

- 1 Double acting piston drive
- 2 Profile barrel
- 3 Driver
- 4 Slide unit
- 5 Multiple supply ports
- 6 Sensors that can be built in
- 7 Adjustable end-position cushioning



Technical data

Pneumatic linear drive units DGP/DGPL							
Size	18	25	32	40	50	63	80
Stroke length 10 ... 1800 [mm]							
10 ... 3000 [mm]							



Help in selection and ordering
ProDrive
www.festo.com/en/engineering

Characteristic load values

for pneumatic linear drive units			Type							
Size			18	25	32	40	50	63	80	
DGP	Applied loads	$F_{y\max.}$ [N]	–	–	–	–	–	–	–	
		$F_{z\max.}$ [N]	120	330	480	800	1200	1600	5000	
	Lateral torques	$M_{x\max.}$ [Nm]	0.5	1	2	4	7	8	32	
	Longitudinal torques	$M_{y\max.}$ [Nm]	11	20	40	60	120	120	750	
	Torsional torque	$M_{z\max.}$ [Nm]	1	3	5	8	15	24	140	
for pneumatic linear drive units										
Slide unit standard	Applied loads	$F_{y\max.}$ [N]	340	430	430	1010	1010	2000	2000	
		$F_{z\max.}$ [N]	340	430	430	1010	1010	2000	2000	
DGPL...-GF	Lateral torques	$M_{x\max.}$ [Nm]	2.2	5.4	8.5	23	32	74	100	
Plain-bearing guide	Longitudinal torques	$M_{y\max.}$ [Nm]	10	14	18	34	52	140	230	
		Torques	$M_{z\max.}$ [Nm]	10	14	18	34	52	140	230
for pneumatic linear drive units										
Slide unit standard	Applied loads	$F_{y\max.}$ [N]	930	3080	3080	730	730	14050	14050	
		$F_{z\max.}$ [N]	930	3080	3080	730	730	14050	14050	
DGPL...-KF	Lateral torques	$M_{x\max.}$ [Nm]	7	45	63	170	240	580	745	
Recirculating ball bearing guide	Longitudinal torques	$M_{y\max.}$ [Nm]	23	85	127	330	460	910	1545	
		Torques	$M_{z\max.}$ [Nm]	23	85	127	330	460	910	1545

Festo AG & Co. KG

Ruiter Strasse 82
73734 Esslingen
Internet www.festo.com
Tel. ++49 (0)711 347-0
Fax ++49 (0)711 347-21 44
E-mail service_international@festo.com

* Tested representatively and certified for the products ADVU, DGPL and DNC.