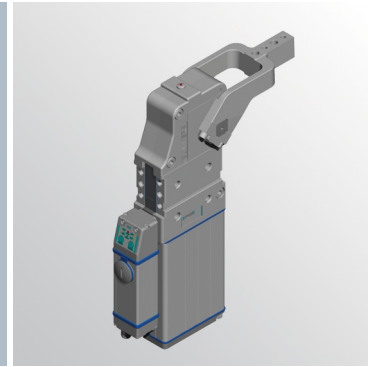


LAE225

Power clamp



L	A	E	2	2	5	V	C	1	0
1		2			3	4	5		

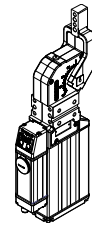
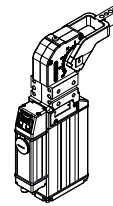
1 Series	2 Size	3 Arm mount position	
-----------------	---------------	-----------------------------	--

LAE = Power clamp

225

V = 90°

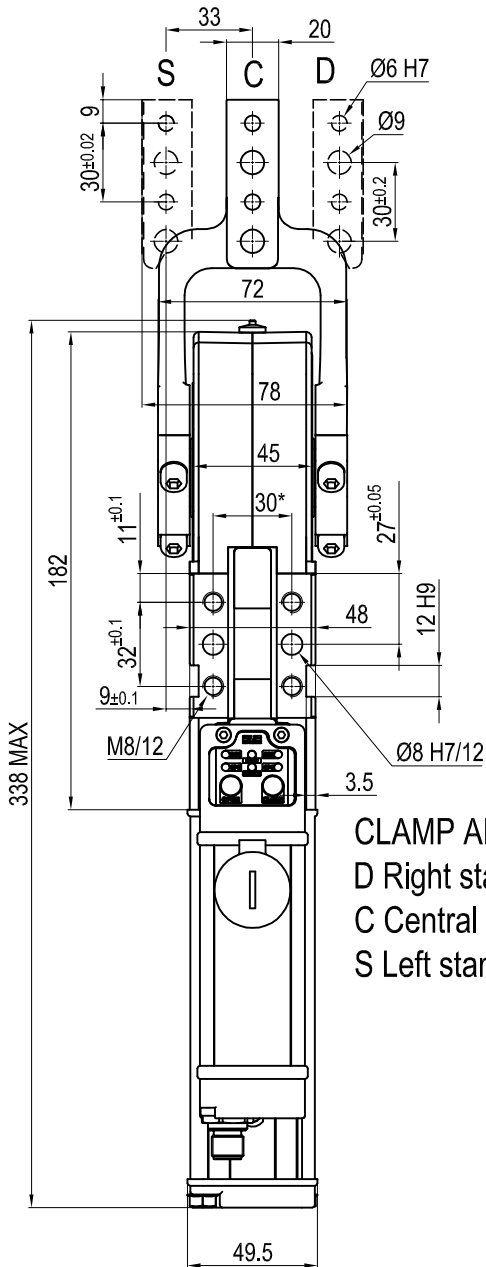
O = 180°



4 Arm style	5 Control module
--------------------	-------------------------

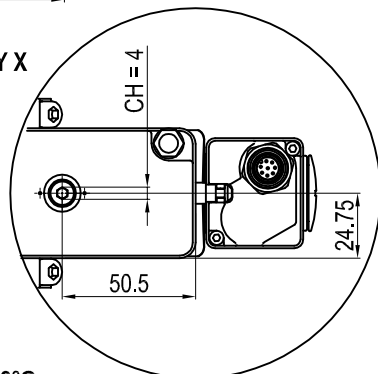
C = Central - standard
 D = Right - standard
 S = Left - standard

10 = 1 connector - standard software
 20 = 2 connector - standard software



CLAMP ARM TYPE :
D Right standard (wishbone)
C Central standard (wishbone)
S Left standard (wishbone)

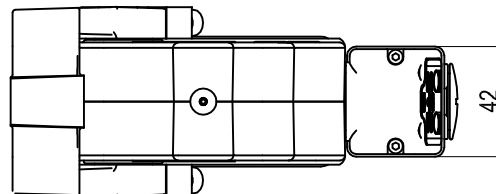
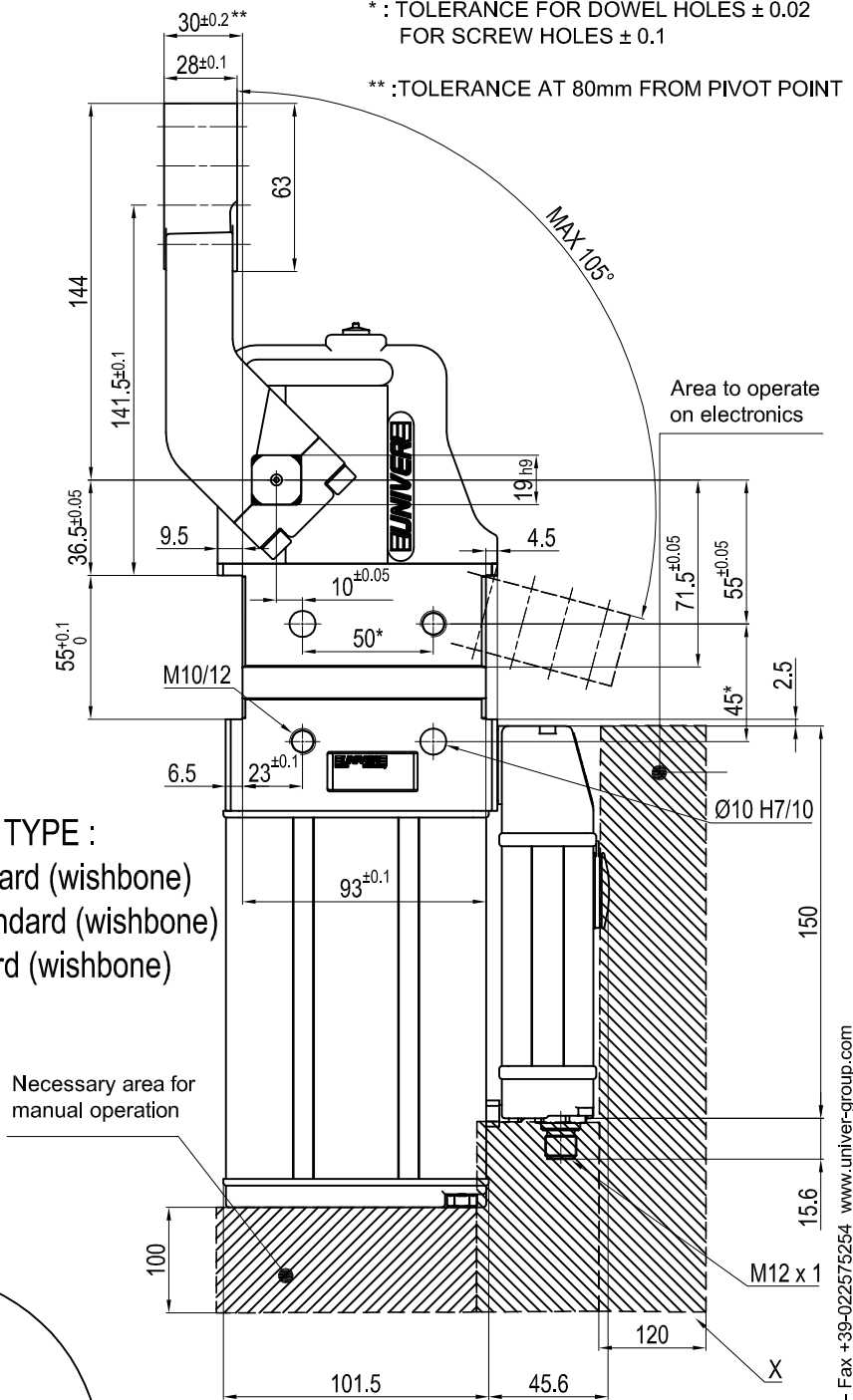
SEEN BY X



Temperature range : 5° ÷ 40°C
Opening angles available : 105° - 90° - 75° - 60° - 45° - 30° - 15°
Work position : horizontal
Class protection : IP 65

Size	Clamping Torque	Sec. to clamping point	Max weight
225	225 Nm	1sec x 90°	4,3 Kg.

Subject to technical modifications without notice



Ordering code

LAE 225 O _ _ _
| | | |
| | | | Module
| | | | Arm type
| | | | Arm position
| | | | Size
| | | | Series

Rev. 01 del 29 | 09 | 05