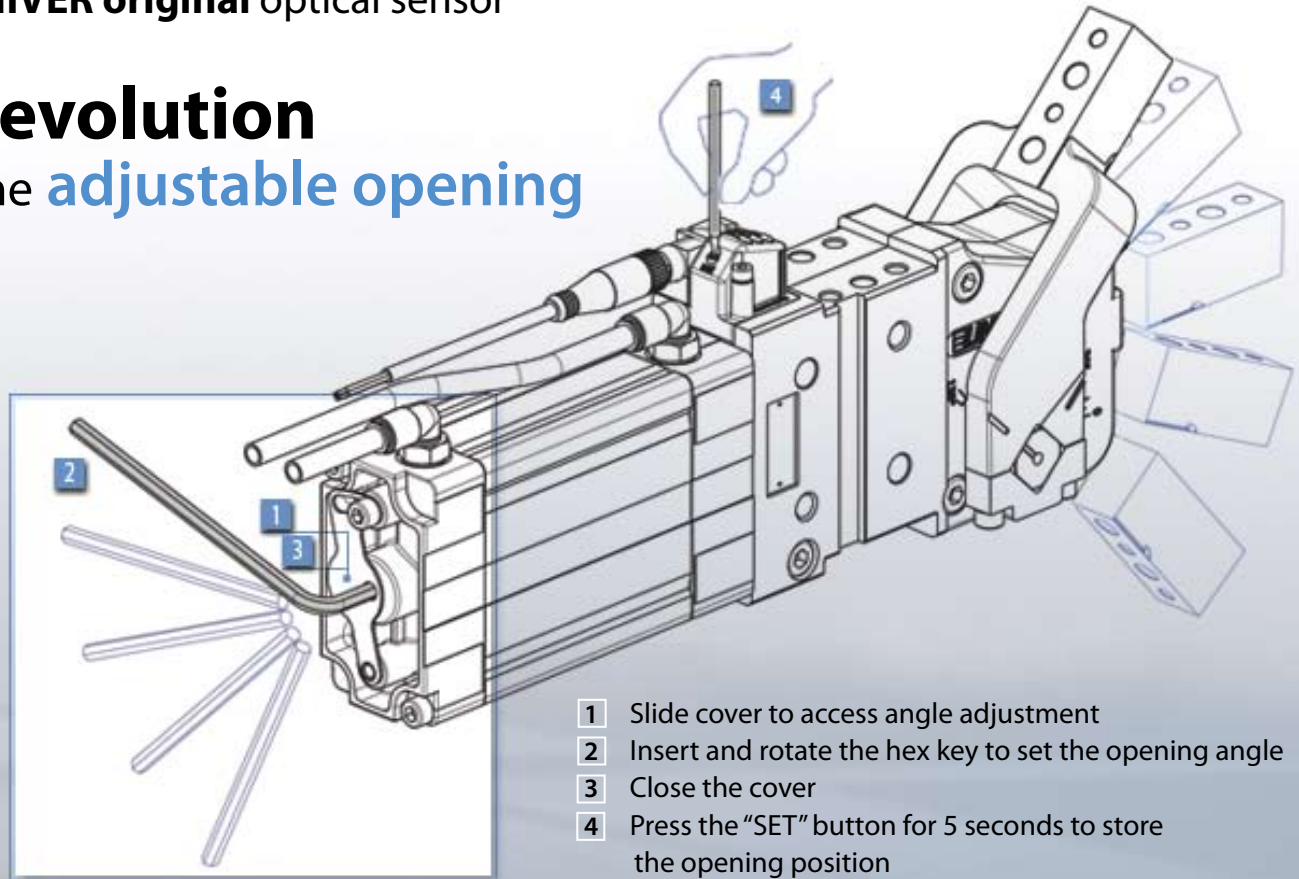


# UNIVERSAL\_Power clamps

- **Fully adjustable** opening angle
- **UNIVER original** optical sensor

The **evolution**  
of the **adjustable opening**



- 1 Slide cover to access angle adjustment
- 2 Insert and rotate the hex key to set the opening angle
- 3 Close the cover
- 4 Press the "SET" button for 5 seconds to store the opening position

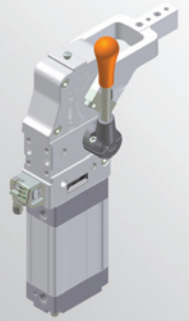
## COMPLETE INTERCHANGEABILITY with LAP/LNP series:

- Interchangeable **mounting**
- Interchangeable **overall dimensions**
- Interchangeable **models and options**
- Same **inner linkage mechanism**

## ADVANTAGES FOR THE END CUSTOMER:

### UNIVERSAL series:

- Allows **opening angle** to be adjusted from 0° to 125° for the 40mm bore and from 0° to 135° for the 50, 63, 80mm bore
- Allows **to set the opening** angle with or without air supply
- Reduces **stock requirements: one UNIVERSAL unit** can be used to set all possible opening angles
- Can be used **as direct replacement** for LAP/LNP series
- Increases **productivity** and decreases cycle time by being able to set the clamp to the minimum required opening angle
- Guarantees the same reliability recognized by the market thanks to the use of the **already proven inner linkage mechanism** of the LAP/LNP series
- Provides **pumatic ports on both sides** of the cylinder
- Is equipped with a **UNIVER original all metal construction optical sensor**, which is IP65 and includes a swivel connector which can be orientated in 0° or 90°



# UBM63

## UNIVERSAL power clamps

|          |          |          |          |          |          |          |          |
|----------|----------|----------|----------|----------|----------|----------|----------|
| <b>U</b> | <b>B</b> | <b>M</b> | <b>6</b> | <b>3</b> | <b>N</b> | <b>N</b> | <b>U</b> |
| <b>1</b> | <b>2</b> | <b>3</b> |          | <b>4</b> | <b>5</b> | <b>6</b> |          |

|                 |                  |               |
|-----------------|------------------|---------------|
| <b>1 Series</b> | <b>2 Version</b> | <b>3 Size</b> |
|-----------------|------------------|---------------|

**UB** = UNIVERSAL power clamps  
- fully adjustable opening angle  
from 0° to 135°

**M** = Pneumatic with manual lever

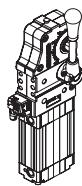
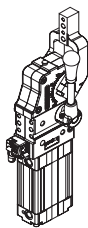
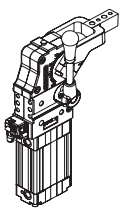
**63** =  $\varnothing$  63 mm

|                             |                    |                        |
|-----------------------------|--------------------|------------------------|
| <b>4 Arm mount position</b> | <b>5 Arm style</b> | <b>6 Sensing style</b> |
|-----------------------------|--------------------|------------------------|

**V** = 90°

**O** = 180°

**N** = no arm



**C** = Central - standard

**D** = Right - standard

**S** = Left - standard

**E** = Central, 45mm from pivot point

**F** = Right, 45mm from pivot point

**L** = Left, 45mm from pivot point

**O** = Central with self-holding system

**P** = Right with self-holding system

**Q** = Left with self-holding system

**N** = No arm

**X** = Central, oversize dowel holes  $\varnothing$  8 H7

**Y** = Right, oversize dowel holes  $\varnothing$  8 H7

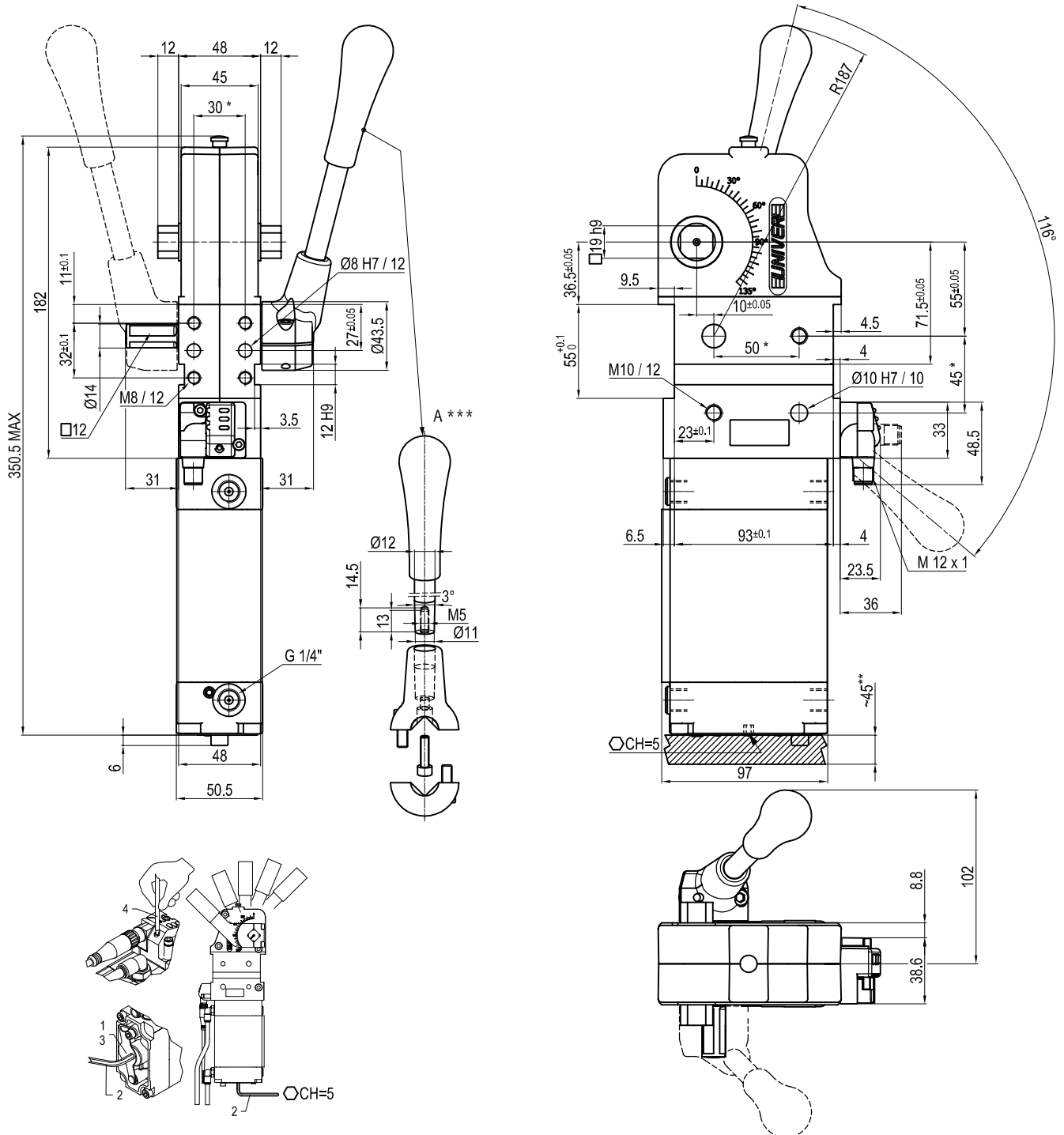
**Z** = Left, oversize dowel holes  $\varnothing$  8 H7

**N** = no sensor

(with protection plate)

**U** = Electronic 24 Vdc sensor with M12  
swivel connector

## UNIVERSAL Pneumatic power clamp



| Bore Ø | Holding moment | Clamping moment | Weight |
|--------|----------------|-----------------|--------|
| 63 mm  | 1750 Nm        | 420 Nm          | 3.8 Kg |

Min./Max. operating pressure: **0,4 / 0,8 MPa**

Operating temperature: **5° + 45° C**

Opening angle: **adjustable from 0° to 135°**

Without arm

With manual lever

Electronic 24 Vdc, sensor with M12 swivel connector that can be orientated at 0° or 90°

Protection Class: **IP 65**

Pneumatic ports on both sides

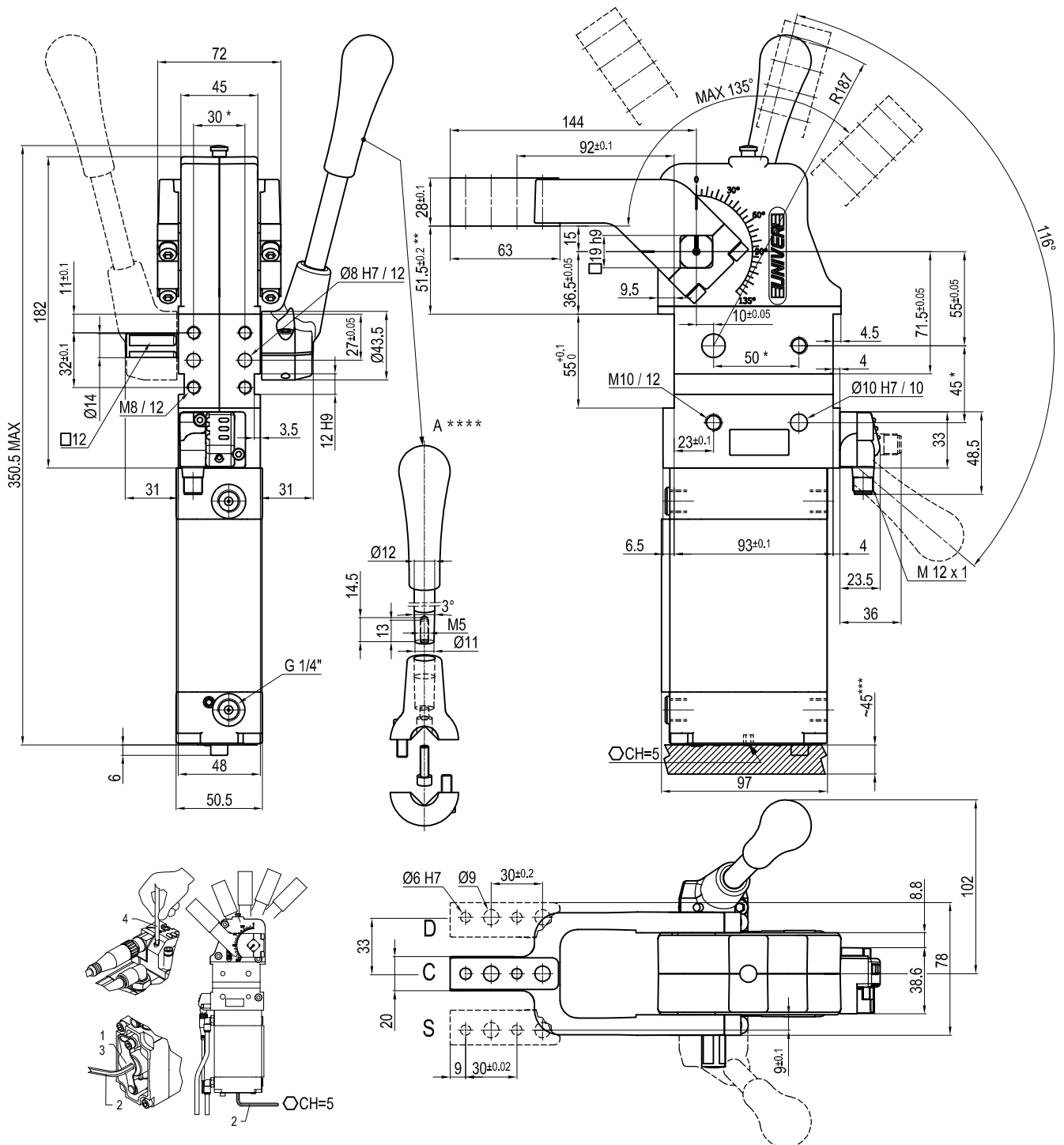
\* : TOLERANCE BETWEEN DOWELS ± 0.02, TO SCREW HOLES ± 0.1

\*\* : AREA TO ACCESS ANGLE ADJUSTMENT

\*\*\* : DIMENSIONS TO BE RESPECTED IN CASE OTHER MANUAL LEVERS ARE USED

Subject to technical modifications without notice

## UNIVERSAL Pneumatic power clamp



| Bore Ø | Holding moment | Clamping moment | Weight |
|--------|----------------|-----------------|--------|
| 63 mm  | 1750 Nm        | 420 Nm          | 4.2 Kg |

Min./Max. operating pressure: **0,4 / 0,8 MPa**

Operating temperature: **5° + 45° C**

Opening angle: **adjustable from 0° to 135°**

Vertical arm mount position

With manual lever

Electronic 24 Vdc, sensor with M12 swivel connector that can be orientated at 0° or 90°

Protection Class: **IP 65**

Pneumatic ports on both sides

\* : TOLERANCE BETWEEN DOWELS ± 0.02, TO SCREW HOLES ± 0.1

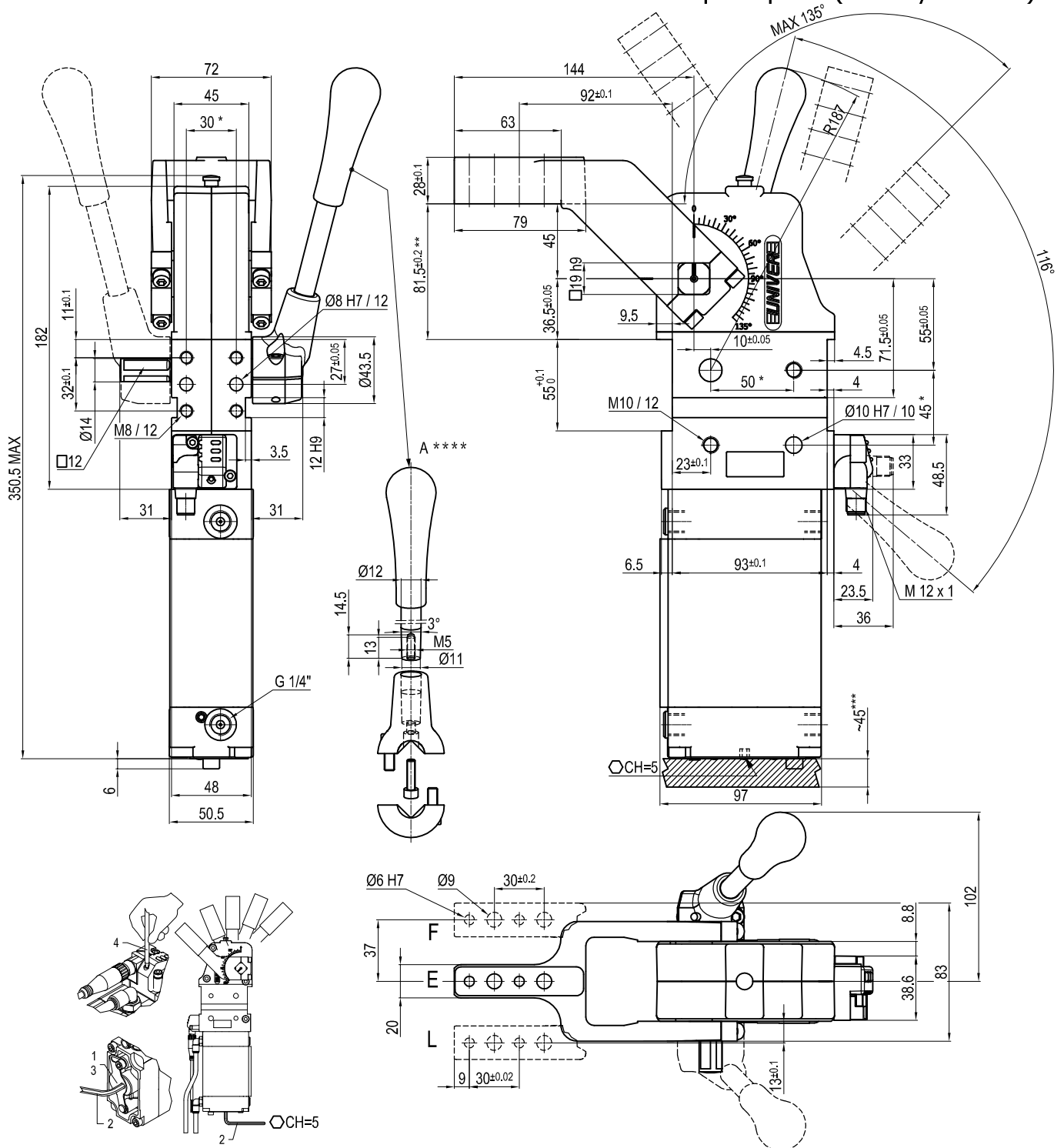
\*\* : TOLERANCE AT 80 mm FROM PIVOT POINT

\*\*\* : AREA TO ACCESS ANGLE ADJUSTMENT

\*\*\*\* : DIMENSIONS TO BE RESPECTED IN CASE OTHER MANUAL LEVERS ARE USED

Subject to technical modifications without notice

## UNIVERSAL Pneumatic power clamp arm at 45 mm from pivot point (arm style E-L-F)



| Bore Ø | Holding moment | Clamping moment | Weight |
|--------|----------------|-----------------|--------|
| 63 mm  | 1750 Nm        | 420 Nm          | 4.2 Kg |

Min./Max. operating pressure: **0,4 / 0,8 MPa**

Operating temperature: **5° + 45° C**

Opening angle: **adjustable from 0° to 135°**

Vertical arm mount position

With manual lever

Electronic 24 Vdc, sensor with M12 swivel connector that can be orientated at 0° or 90°

Protection Class: **IP 65**

Pneumatic ports on both sides

\* : TOLERANCE BETWEEN DOWELS ± 0.02, TO SCREW HOLES ± 0.1

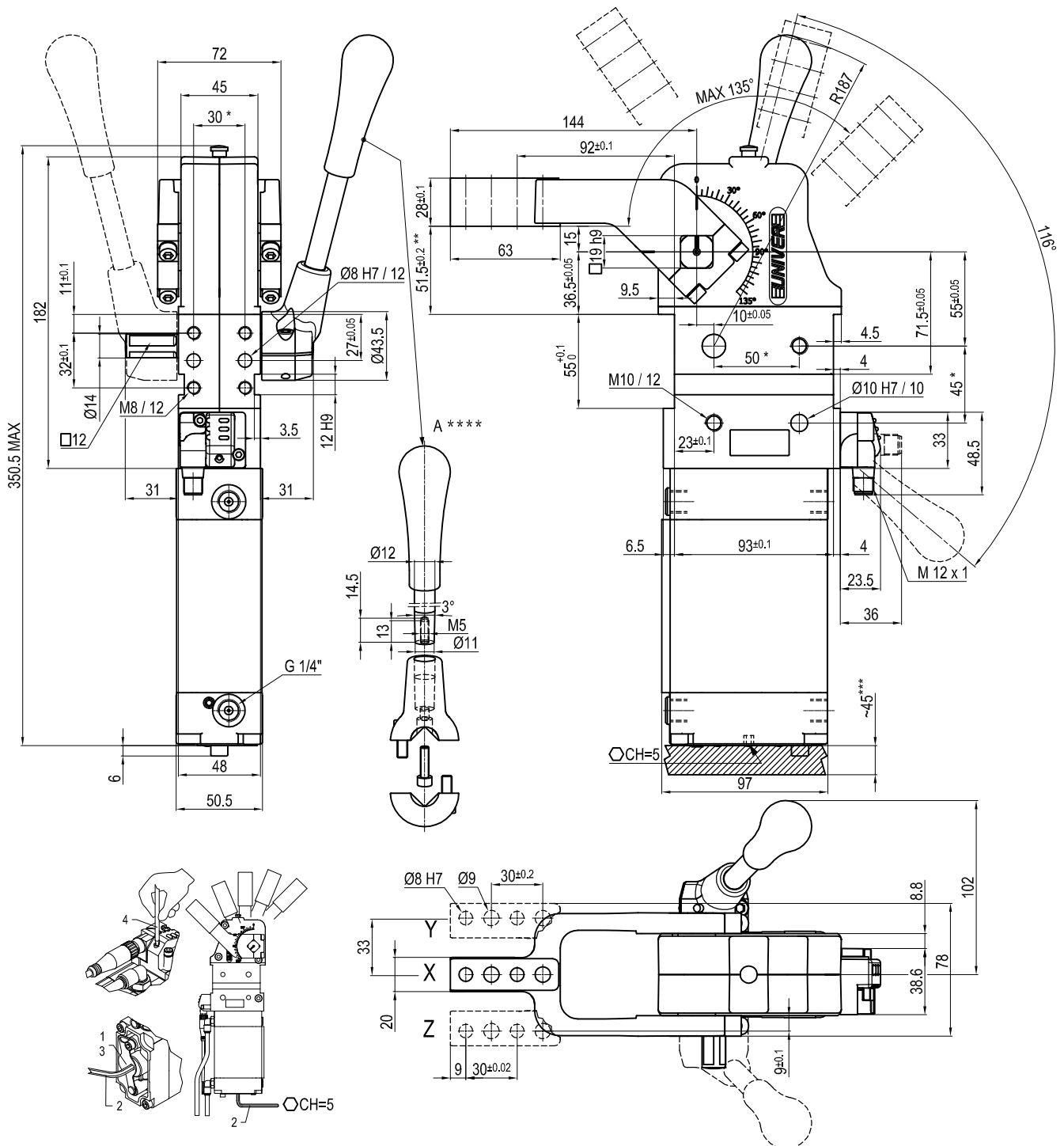
\*\* : TOLERANCE AT 80 mm FROM PIVOT POINT

\*\*\* : AREA TO ACCESS ANGLE ADJUSTMENT

\*\*\*\* : DIMENSIONS TO BE RESPECTED IN CASE OTHER MANUAL LEVERS ARE USED

Subject to technical modifications without notice

## UNIVERSAL Pneumatic power clamp (arm style X-Y-Z)



| Bore Ø | Holding moment | Clamping moment | Weight |
|--------|----------------|-----------------|--------|
| 63 mm  | 1750 Nm        | 420 Nm          | 4.2 Kg |

Min./Max. operating pressure: **0,4 / 0,8 MPa**

Operating temperature: **5° + 45° C**

Opening angle: **adjustable from 0° to 135°**

Vertical arm mount position

With manual lever

Electronic 24 Vdc, sensor with M12 swivel connector that can be orientated at 0° or 90°

Protection Class: **IP 65**

Pneumatic ports on both sides

\* : TOLERANCE BETWEEN DOWELS ± 0.02, TO SCREW HOLES ± 0.1

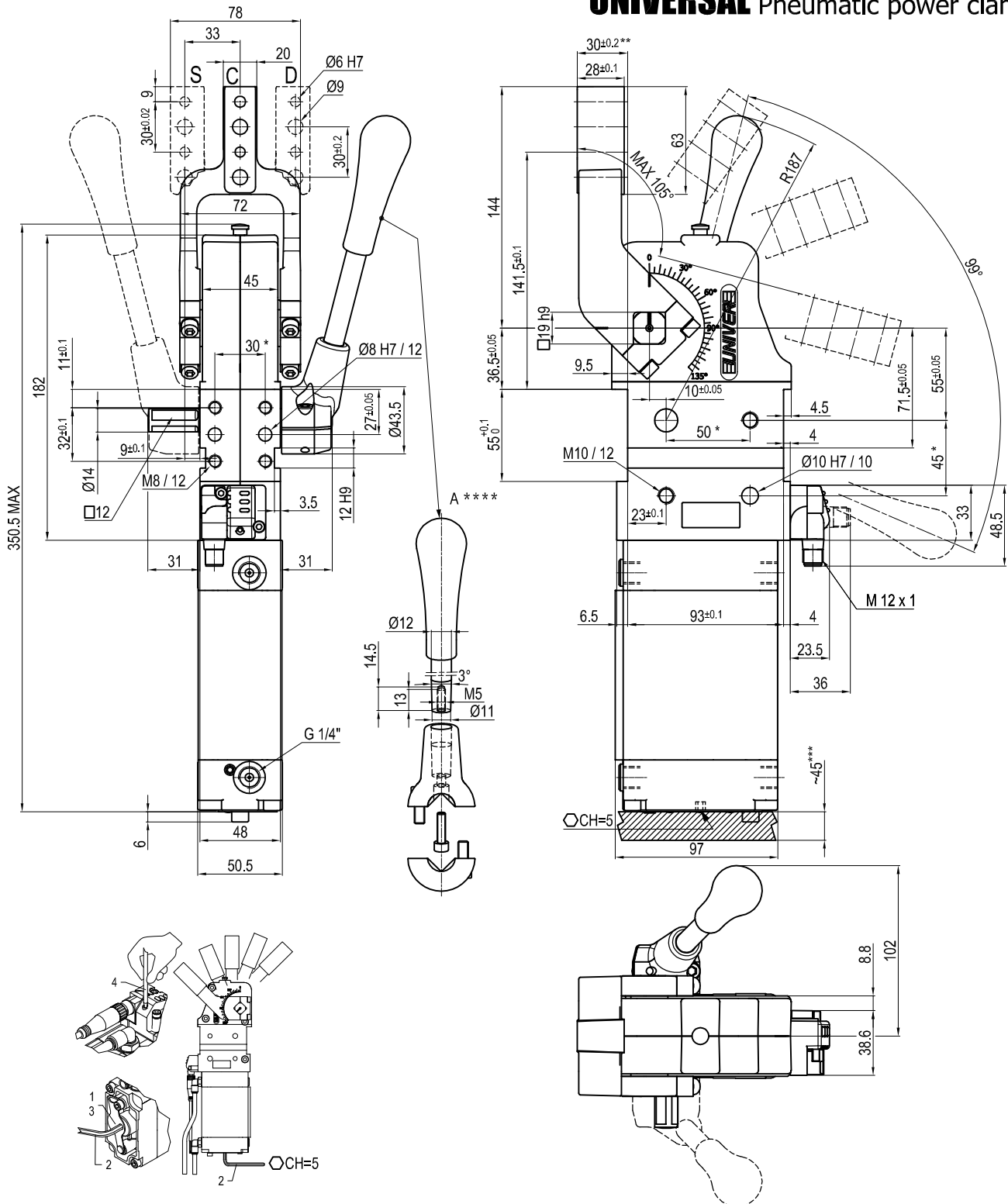
\*\* : TOLERANCE AT 80 mm FROM PIVOT POINT

\*\*\* : AREA TO ACCESS ANGLE ADJUSTMENT

\*\*\*\* : DIMENSIONS TO BE RESPECTED IN CASE OTHER MANUAL LEVERS ARE USED

Subject to technical modifications without notice

## UNIVERSAL Pneumatic power clamp



| Bore Ø | Holding moment | Clamping moment | Weight |
|--------|----------------|-----------------|--------|
| 63 mm  | 1750 Nm        | 420 Nm          | 4.2 Kg |

Min./Max. operating pressure: **0,4 / 0,8 MPa**

Operating temperature: **5° + 45° C**

Opening angle: **adjustable from 0° to 105°**

Horizontal arm mount position

With manual lever

Electronic 24 Vdc, sensor with M12 swivel connector that can be orientated at 0° or 90°

Protection Class: **IP 65**

Pneumatic ports on both sides

\* : TOLERANCE BETWEEN DOWELS ± 0.02, TO SCREW HOLES ± 0.1

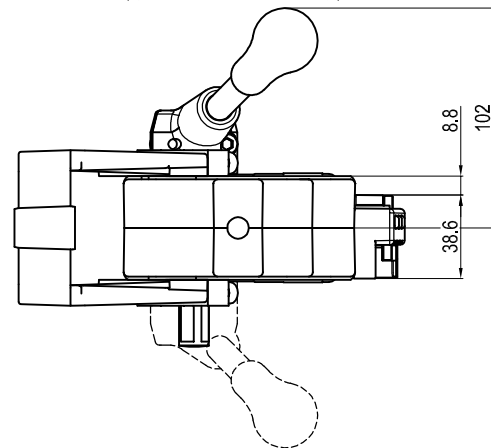
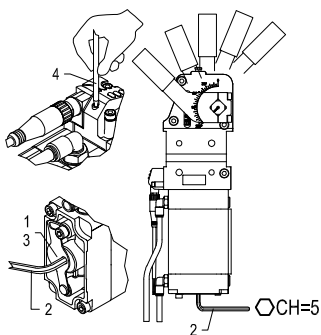
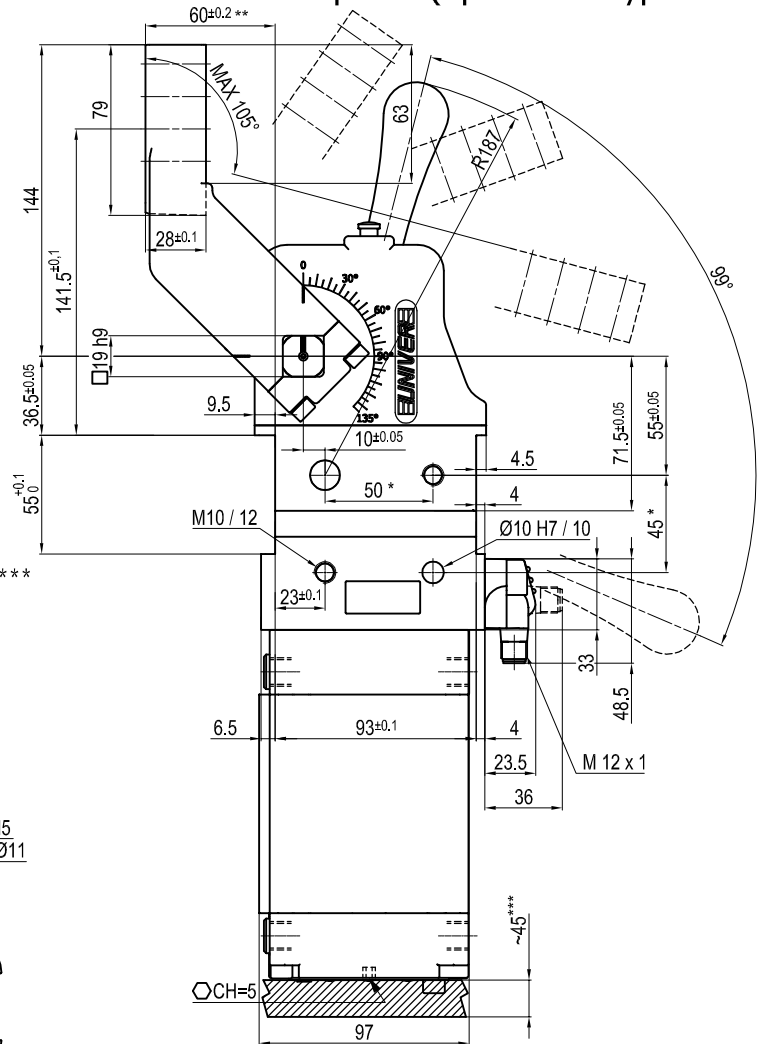
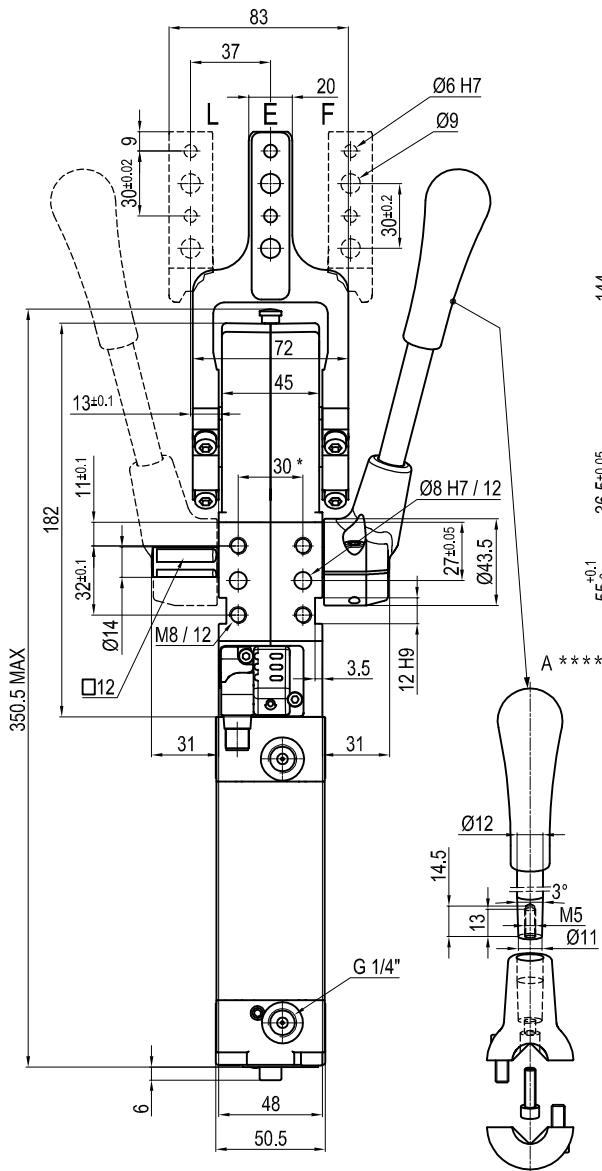
\*\* : TOLERANCE AT 80 mm FROM PIVOT POINT

\*\*\* : AREA TO ACCESS ANGLE ADJUSTMENT

\*\*\*\* : DIMENSIONS TO BE RESPECTED IN CASE OTHER MANUAL LEVERS ARE USED

Subject to technical modifications without notice

## UNIVERSALspanner - Spannarm mit 45 mm Freimaß zum Drehpunkt (Spannarm Typ E-L-F)



| Durchmesser | Haltemoment | Spannmoment | Gewicht |
|-------------|-------------|-------------|---------|
| 63 mm       | 1750 Nm     | 420 Nm      | 4.2 Kg  |

Min./Max. Betriebsdruck: **0,4 / 0,8 MPa**

Betriebstemperatur: **5° ± 45° C**

Öffnungswinkel: **stufenlos verstellbar im Bereich von 0° bis 105°**

Arbeitsstellung: waagrecht

mit Handzustellung

Elektronischer 24 Vdc Endschalter mit schwenkbarem M12 Stecker 0° oder 90°

Schutzart: **IP 65**

Pneumatische Anschlüsse an beiden Seiten

\* : TOLERANZ FÜR STIFTBOHRUNGEN ± 0.02, FÜR GEWINDEBOHRUNGEN ± 0.1

\*\* : TOLERANZ IM ABSTAND 80 mm VOM DREHPUNKT

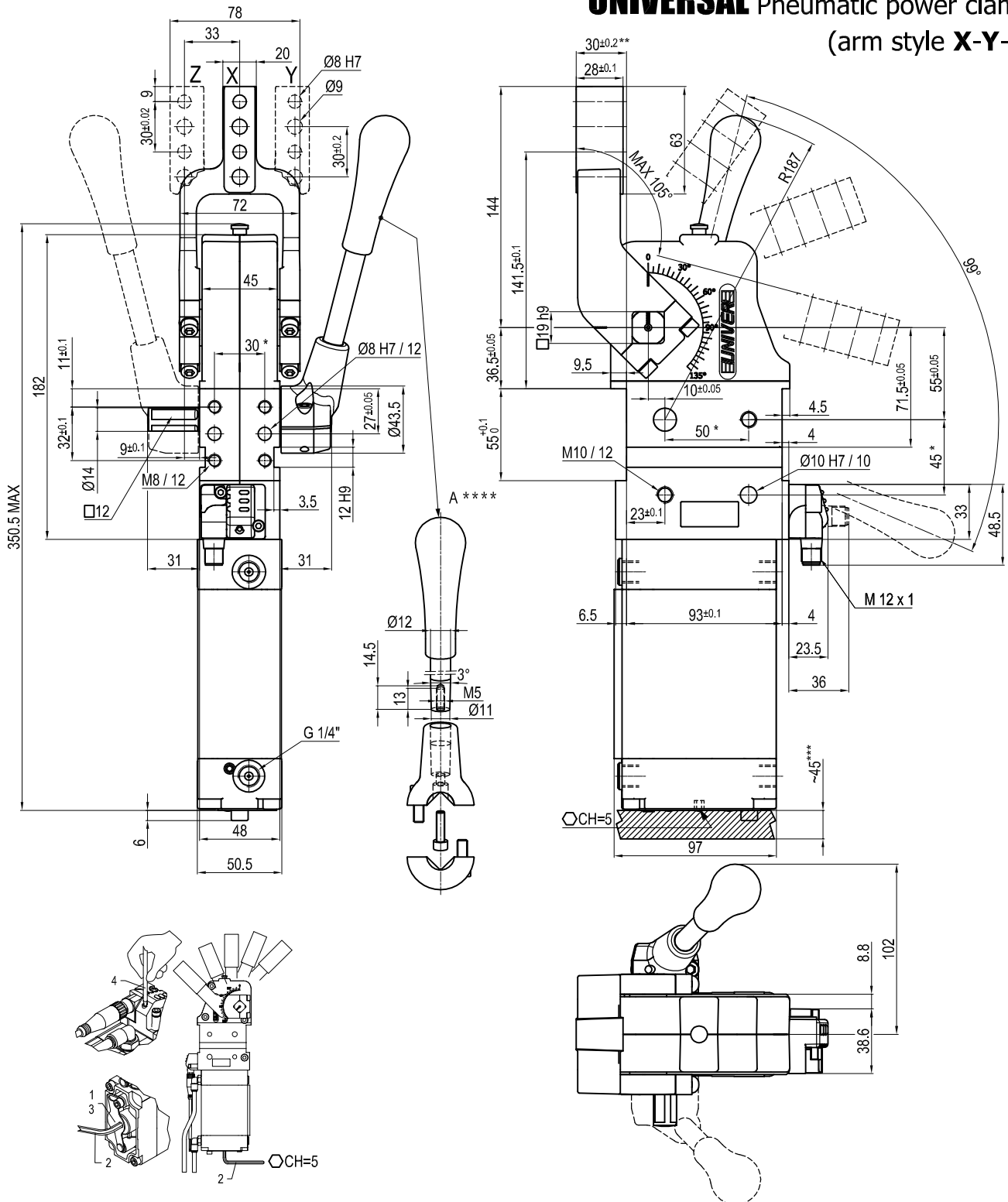
\*\*\* : EMPFOHLENER PLATZBEDARF FÜR ÖFFNUNGSWINKELVERSTELLUNG

\*\*\*\* : BEI DEM EINSATZ EINES ANDEREN HANDHEBELS SIND DIESE ABMESSUNGEN ZU BERÜCKSICHTIGEN

Technische Änderungen vorbehalten



## UNIVERSAL Pneumatic power clamp (arm style X-Y-Z)



| Bore Ø | Holding moment | Clamping moment | Weight |
|--------|----------------|-----------------|--------|
| 63 mm  | 1750 Nm        | 420 Nm          | 4.2 Kg |

Min./Max. operating pressure: **0,4 / 0,8 MPa**

Operating temperature: **5° + 45° C**

Opening angle: **adjustable from 0° to 105°**

Horizontal arm mount position

With manual lever

Electronic 24 Vdc, sensor with M12 swivel connector that can be orientated at 0° or 90°

Protection Class: **IP 65**

Pneumatic ports on both sides

\* : TOLERANCE BETWEEN DOWELS ± 0.02, TO SCREW HOLES ± 0.1

\*\* : TOLERANCE AT 80 mm FROM PIVOT POINT

\*\*\* : AREA TO ACCESS ANGLE ADJUSTMENT

\*\*\*\* : DIMENSIONS TO BE RESPECTED IN CASE OTHER MANUAL LEVERS ARE USED

Subject to technical modifications without notice