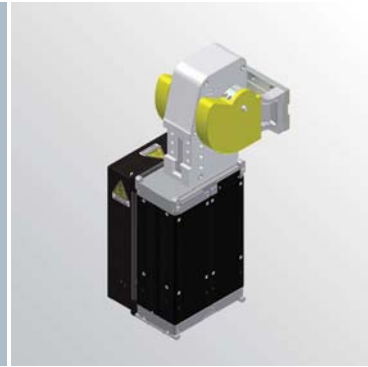


# LAGE0500

Power pivot



L	A	G	E	0	5	0	0	V	D	0
1			2				3	4	5	

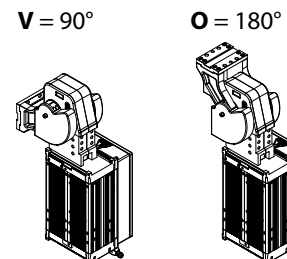
1 Series	2 Size	3 Pivot mount style
LAGE = Power pivot	0500	<b>V</b> = Vertical 180° <b>O</b> = Horizontal 90° <b>Z</b> = Vertical mount style symmetrical to V mount style. Max. opening angle 120° <b>P</b> = Horizontal mount style symmetrical to O mount style. Max. opening angle 60°

4 Control module position	5 Voltage
<b>D</b> = Right side <b>S</b> = Left side <b>R</b> = Remoted - cable to be ordered separately	<b>O</b> = 400 Vac <b>1</b> = 480 Vac <b>2</b> = 3-phase 230 Vac

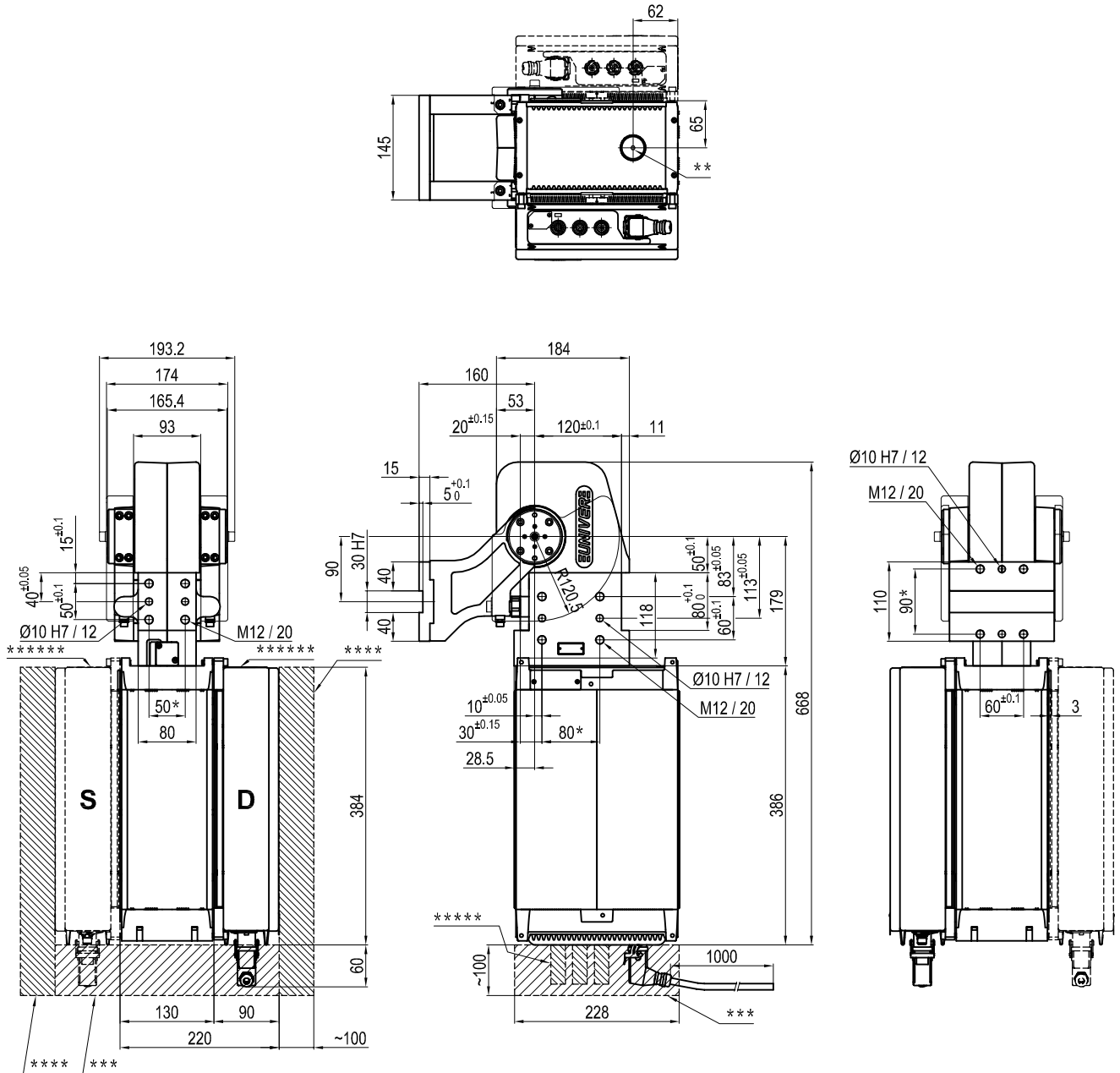
**Pivot rotation in degrees:**

- 120°
- 90° (Standard)
- 60°
- 45°

**Pivot mount style**



## Electric power pivot

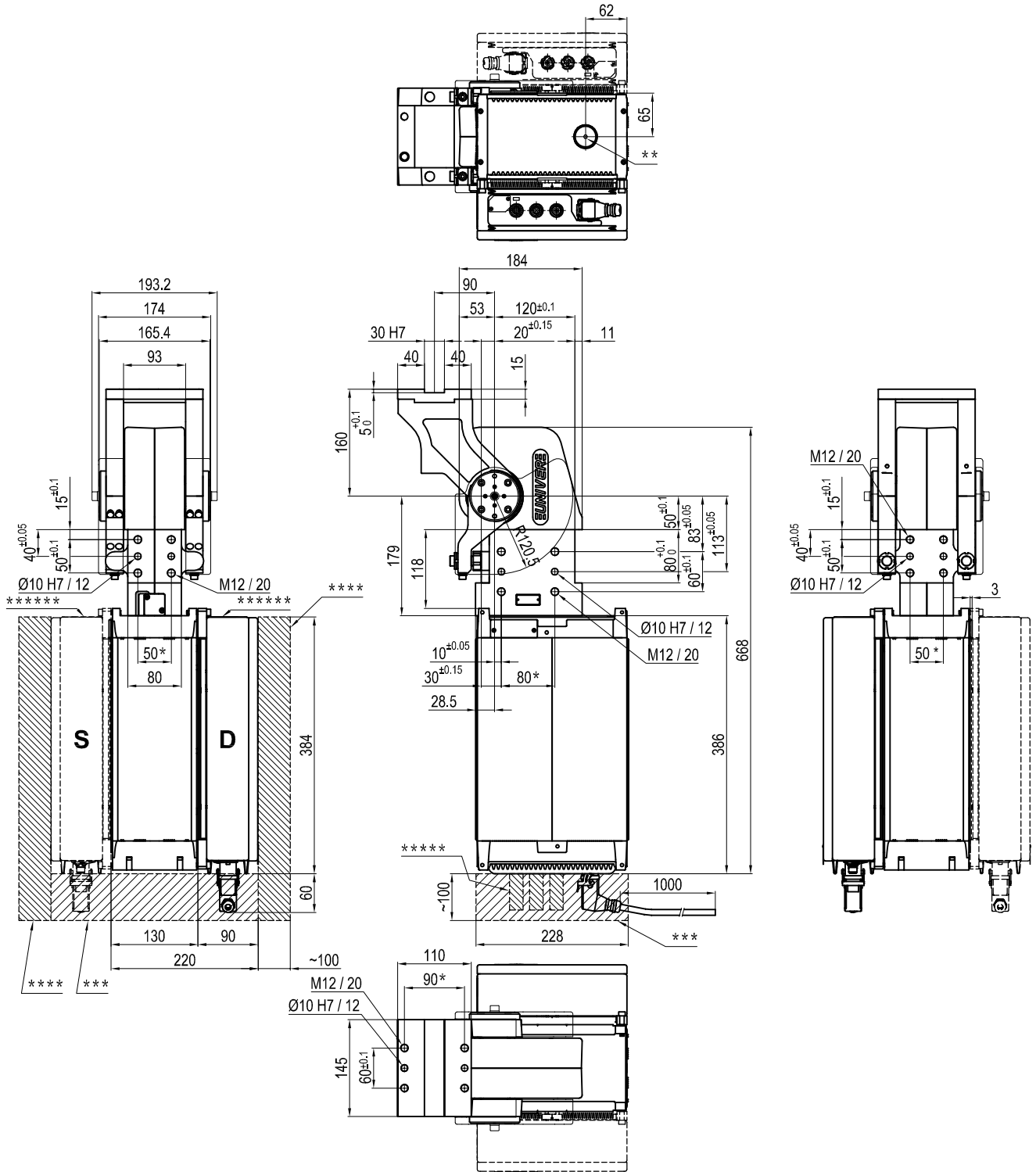


Size	Holding moment	Max bending moment with nominal voltage	Time to close	Weight
500	6000 Nm	500 Nm	1,7 + 3,7 Sec.x 90°	53 Kg

Operating temperature:  $5^{\circ} \pm 45^{\circ} \text{C}$   
 Predeterminable pivot rotation in degrees:  $45^{\circ} - 60^{\circ} - 90^{\circ} - 120^{\circ}$   
 Vertical arm mount position  
 Protection class: **IP 65**

- \* : TOLERANCE BETWEEN DOWEL HOLES  $\pm 0.02$ , TO SCREW HOLES  $\pm 0.1$
- \*\* : MANUAL OPERATION: COVER KEY  $\odot = 5$ , KEY TO MOVE THE TABLE  $\odot = 10$
- \*\*\* : SPACE FOR MANUAL OPERATIONS
- \*\*\*\* : SPACE FOR OPERATING ON THE ELECTRONIC COMPONENTS
- \*\*\*\*\* : ROOM FOR CONNECTORS
- \*\*\*\*\* : CONTROL UNIT MOUNTING POSITION : D= RIGHT ; L= LEFT

Subject to technical modifications without notice

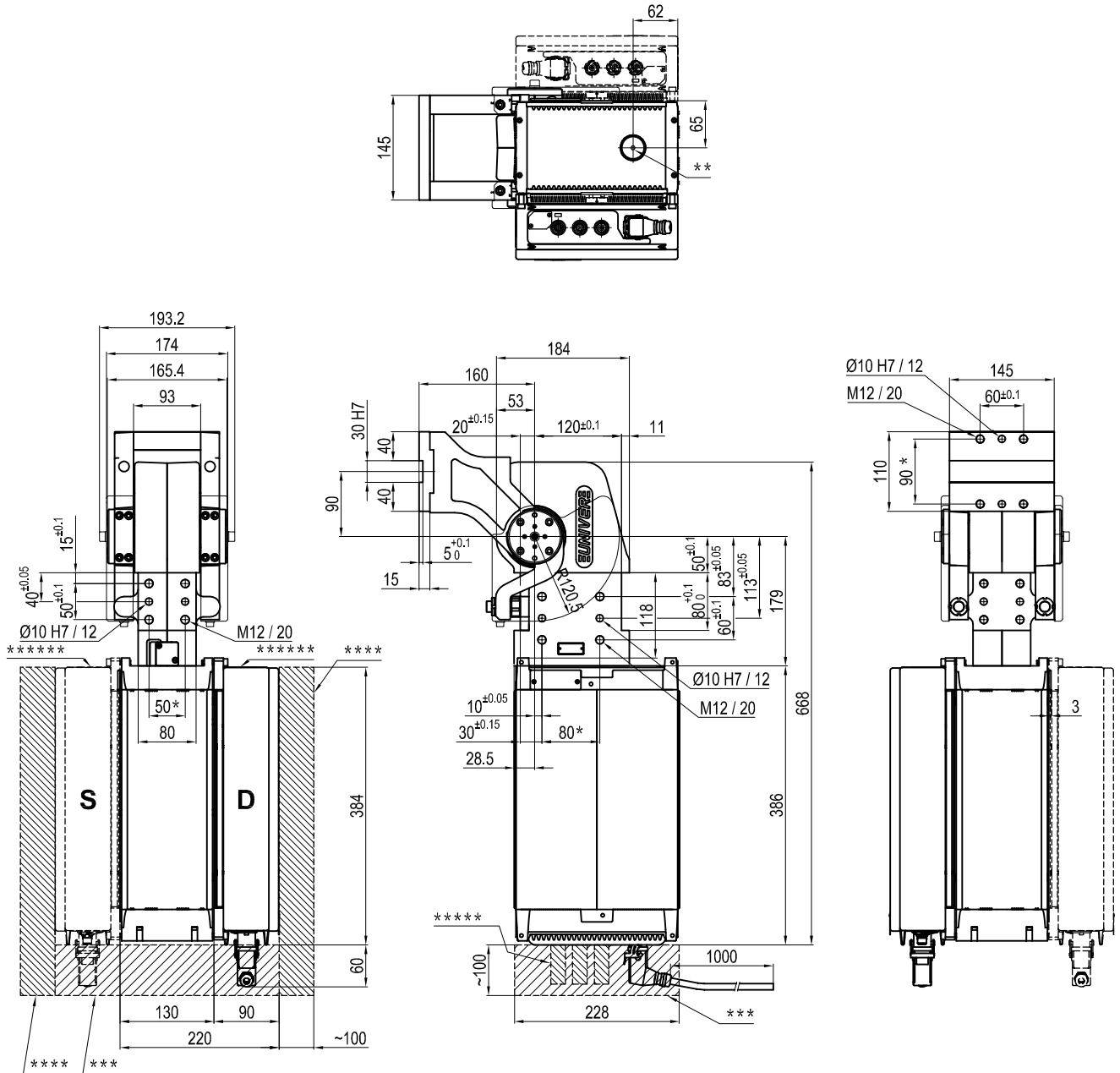


Size	Holding moment	Max bending moment with nominal voltage	Time to close	Weight
500	6000 Nm	500 Nm	1,7 + 3,7 Sec.x 90°	52.5 Kg

Operating temperature:  $5^{\circ} \pm 45^{\circ} \text{C}$   
 Predeterminable pivot rotation in degrees:  $45^{\circ} - 60^{\circ} - 90^{\circ} - 120^{\circ}$   
 Horizontal arm mount position  
 Protection class: **IP 65**

- \* : TOLERANCE BETWEEN DOWEL HOLES  $\pm 0.02$ , TO SCREW HOLES  $\pm 0.1$
- \*\* : MANUAL OPERATION: COVER KEY  $\odot = 5$ , KEY TO MOVE THE TABLE  $\odot = 10$
- \*\*\* : SPACE FOR MANUAL OPERATIONS
- \*\*\*\* : SPACE FOR OPERATING ON THE ELECTRONIC COMPONENTS
- \*\*\*\*\* : ROOM FOR CONNECTORS
- \*\*\*\*\* : CONTROL UNIT MOUNTING POSITION : D= RIGHT ; L= LEFT

Subject to technical modifications without notice

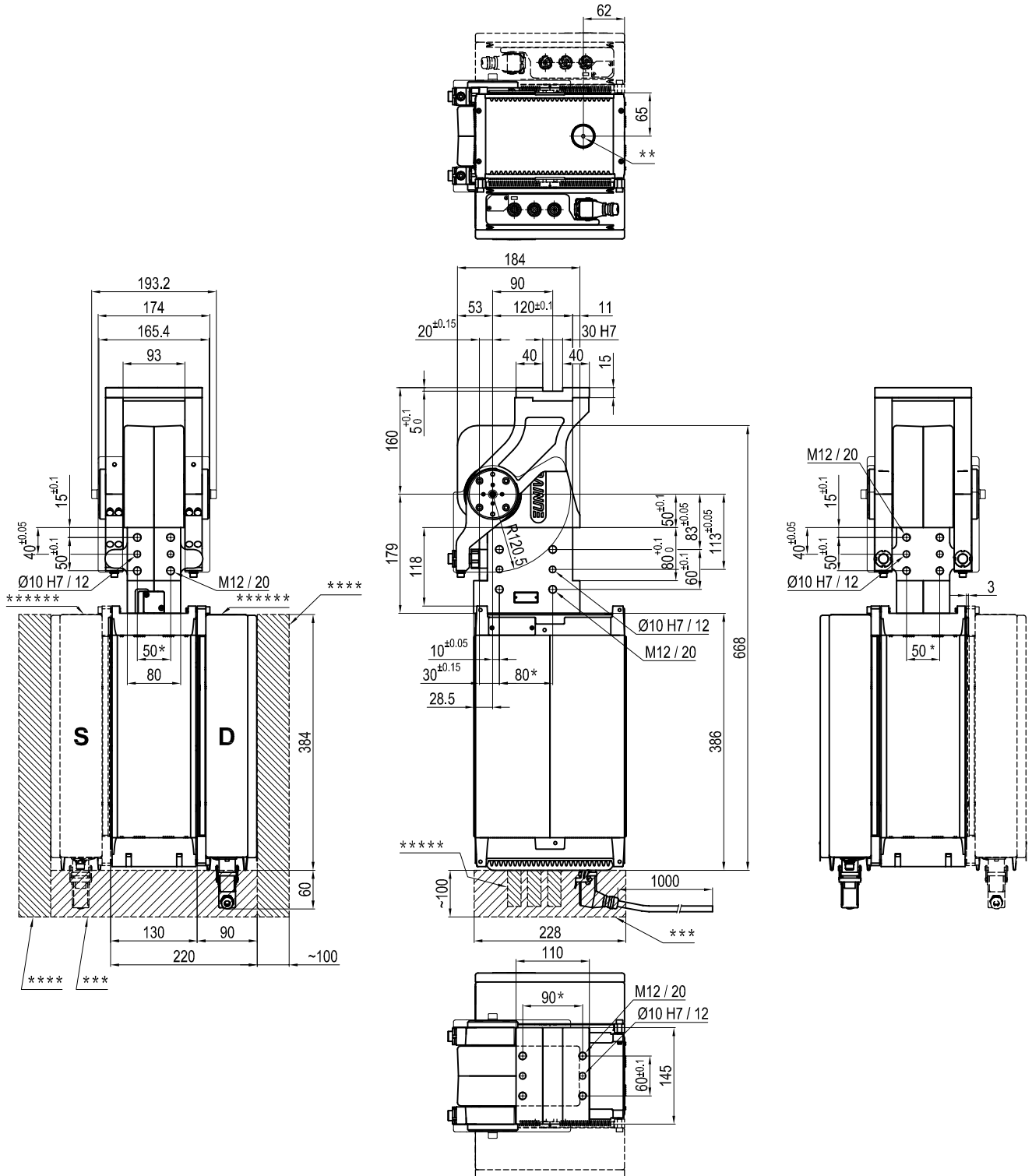


Size	Holding moment	Max bending moment with nominal voltage	Time to close	Weight
500	6000 Nm	500 Nm	1,7 + 3,8 Sec.x 90°	53 Kg

Operating temperature:  $5^{\circ} \pm 45^{\circ} \text{C}$   
 Predeterminable pivot rotation in degrees:  $45^{\circ} - 60^{\circ} - 90^{\circ} - 120^{\circ}$   
 Vertical arm mount position  
 Protection class: **IP 65**

- \* : TOLERANCE BETWEEN DOWEL HOLES  $\pm 0.02$ , TO SCREW HOLES  $\pm 0.1$
- \*\* : MANUAL OPERATION: COVER KEY  $\text{O} = 5$ , KEY TO MOVE THE TABLE  $\text{O} = 10$
- \*\*\* : SPACE FOR MANUAL OPERATIONS
- \*\*\*\* : SPACE FOR OPERATING ON THE ELECTRONIC COMPONENTS
- \*\*\*\*\* : ROOM FOR CONNECTORS
- \*\*\*\*\* : CONTROL UNIT MOUNTING POSITION : D= RIGHT ; L= LEFT

Subject to technical modifications without notice



Size	Holding moment	Max bending moment with nominal voltage	Time to close	Weight
500	6000 Nm	500 Nm	1,7 + 3,8 Sec.x 90°	53 Kg

Operating temperature:  $5^{\circ} \pm 45^{\circ} \text{C}$   
 Predeterminable pivot rotation in degrees:  $45^{\circ} - 60^{\circ} - 90^{\circ} - 120^{\circ}$   
 Horizontal arm mount position  
 Protection class: **IP 65**

- \* : TOLERANCE BETWEEN DOWEL HOLES  $\pm 0.02$ , TO SCREW HOLES  $\pm 0.1$
- \*\* : MANUAL OPERATION: COVER KEY  $\text{O} = 5$ , KEY TO MOVE THE TABLE  $\text{O} = 10$
- \*\*\* : SPACE FOR MANUAL OPERATIONS
- \*\*\*\* : SPACE FOR OPERATING ON THE ELECTRONIC COMPONENTS
- \*\*\*\*\* : ROOM FOR CONNECTORS
- \*\*\*\*\* : CONTROL UNIT MOUNTING POSITION : D= RIGHT ; L= LEFT

Subject to technical modifications without notice