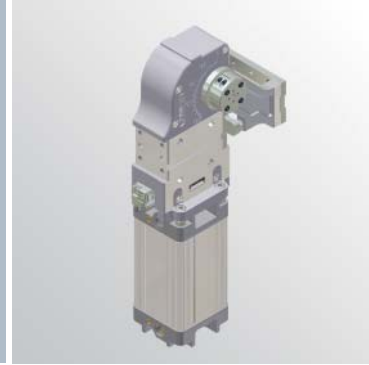


# LAGP120

Power pivot



L	A	G	P	1	2	0	V	U	0	9	0	B
1		2	3			4	5	6			7	

<b>1</b> Series	<b>2</b> Version	<b>3</b> Size
-----------------	------------------	---------------

**LAG** = Power pivot with predetermine pivot rotation in degrees

**P** = Pneumatic standard

**120**

<b>4</b> Table position	<b>5</b> Sensing style	<b>6</b> Pivot rotation in degrees
-------------------------	------------------------	------------------------------------

**V** = Vertical 180°

**O** = Horizontal 90°

**Z** = Vertical mount style symmetrical to V mount style.

Max opening angle 120°

**P** = Horizontal mount style symmetrical to O mount style.

Max. opening angle 60°

**U** = Electronic 24 Vcc sensor with M12 swivel connector

**120** = 120°

**090** = 90°

**060** = 60°

**045** = 45°

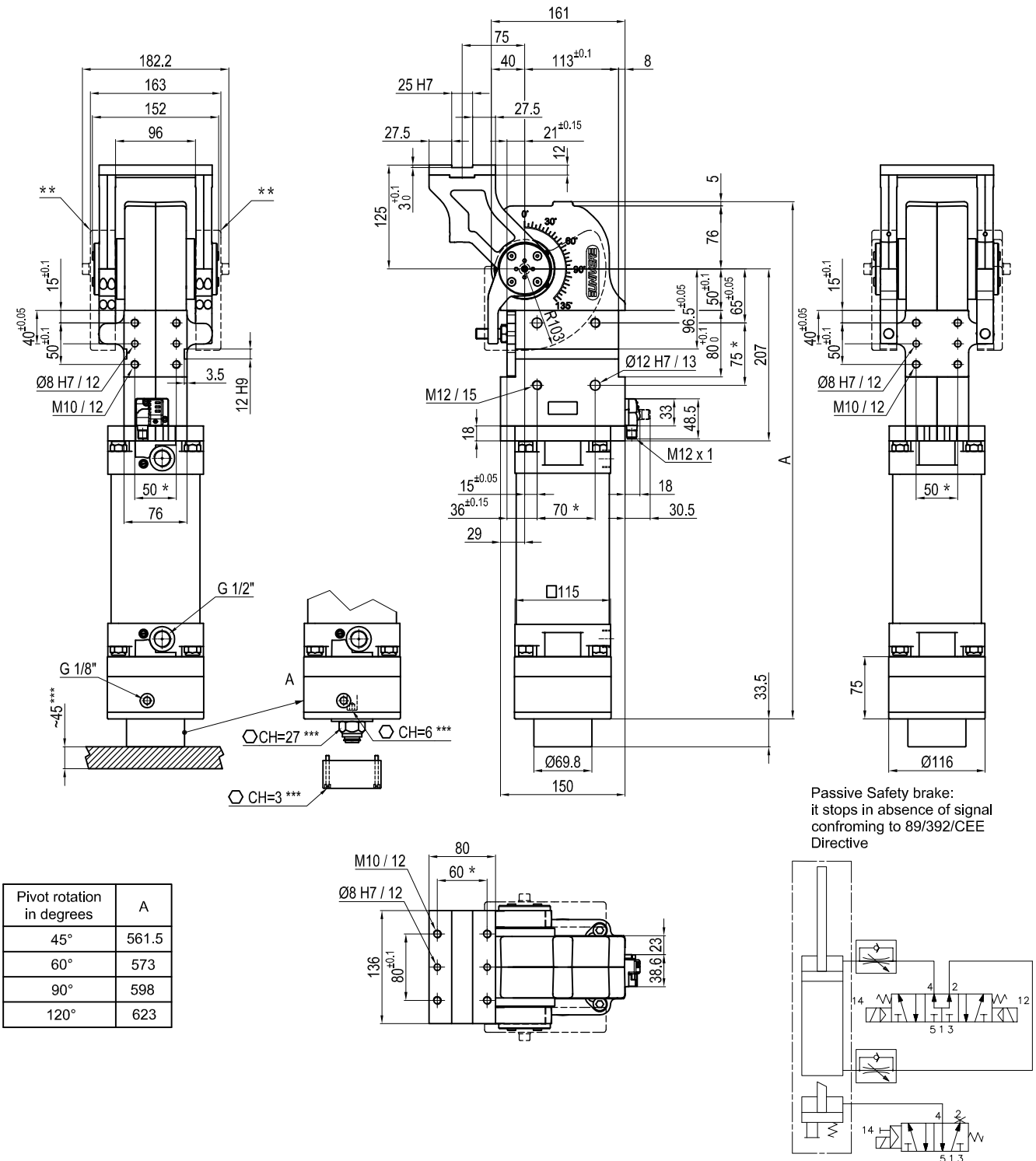
<b>7</b> Brake system
-----------------------

**B** = Safety brake included

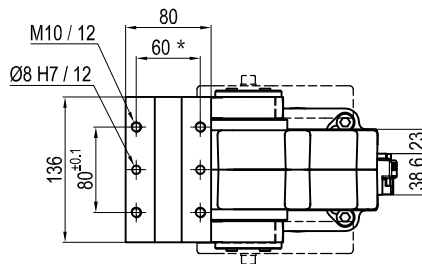
**W** = Without safety brake



## Pneumatic power pivot



Pivot rotation in degrees	A
45°	561.5
60°	573
90°	598
120°	623



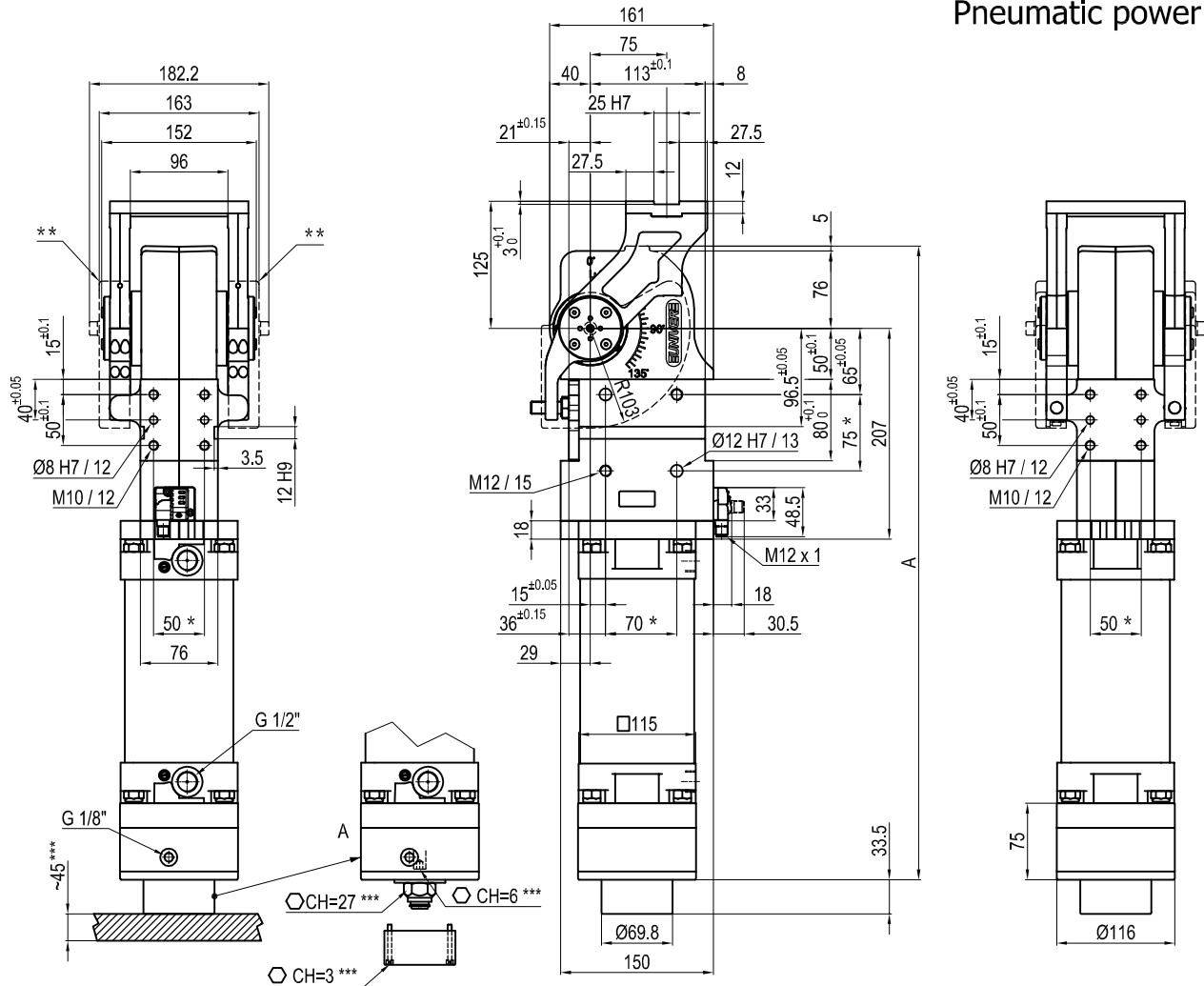
Size	Holding moment	Max. torque at the rotary table 0,55 MPa	Weight
120	4000 Nm	120 Nm	19 Kg

Min./Max. operating pressure: **0,4 / 0,8 MPa**  
 Operating temperature: **5° ÷ 45° C**  
 Predetermine pivot rotation in degrees: **45° - 60° - 90° - 120°**  
 Horizontal arm mount position  
 Electronic 24 Vdc sensor with M12 swivel connector that can be orientated at 0° or 90°  
 Protection class: **IP 65**

\* : TOLERANCE BETWEEN DOWEL HOLES ± 0.02, TO SCREW HOLES ± 0.1  
 \*\* : TO BE ORDERED SEPARATELY  
 \*\*\* : AREA TO ACCESS THE MANUAL UNBLOCKING OF THE SAFETY BRAKE.

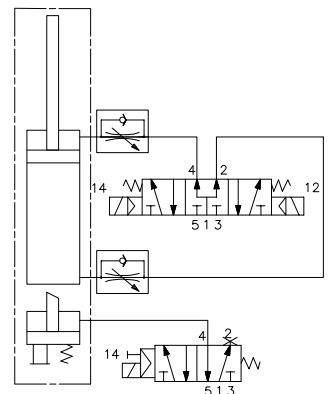
Subject to technical modifications without notice.

## Pneumatic power pivot



Pivot rotation in degrees	A
45°	561.5
60°	573

Passive Safety brake:  
it stops in absence of signal  
conforming to 89/392/CEE  
Directive



Size	Holding moment	Max. torque at the rotary table 0,55 MPa	Weight
120	4000 Nm	120 Nm	19 Kg

Min./Max. operating pressure: **0,4 / 0,8 MPa**

Operating temperature: **5° ÷ 45° C**

Predetermine pivot rotation in degrees: **45° - 60° - 90° - 120°**

Horizontal arm mount position

Electronic 24 Vdc sensor with M12 swivel connector that can be orientated at 0° or 90°

Protection class: **IP 65**

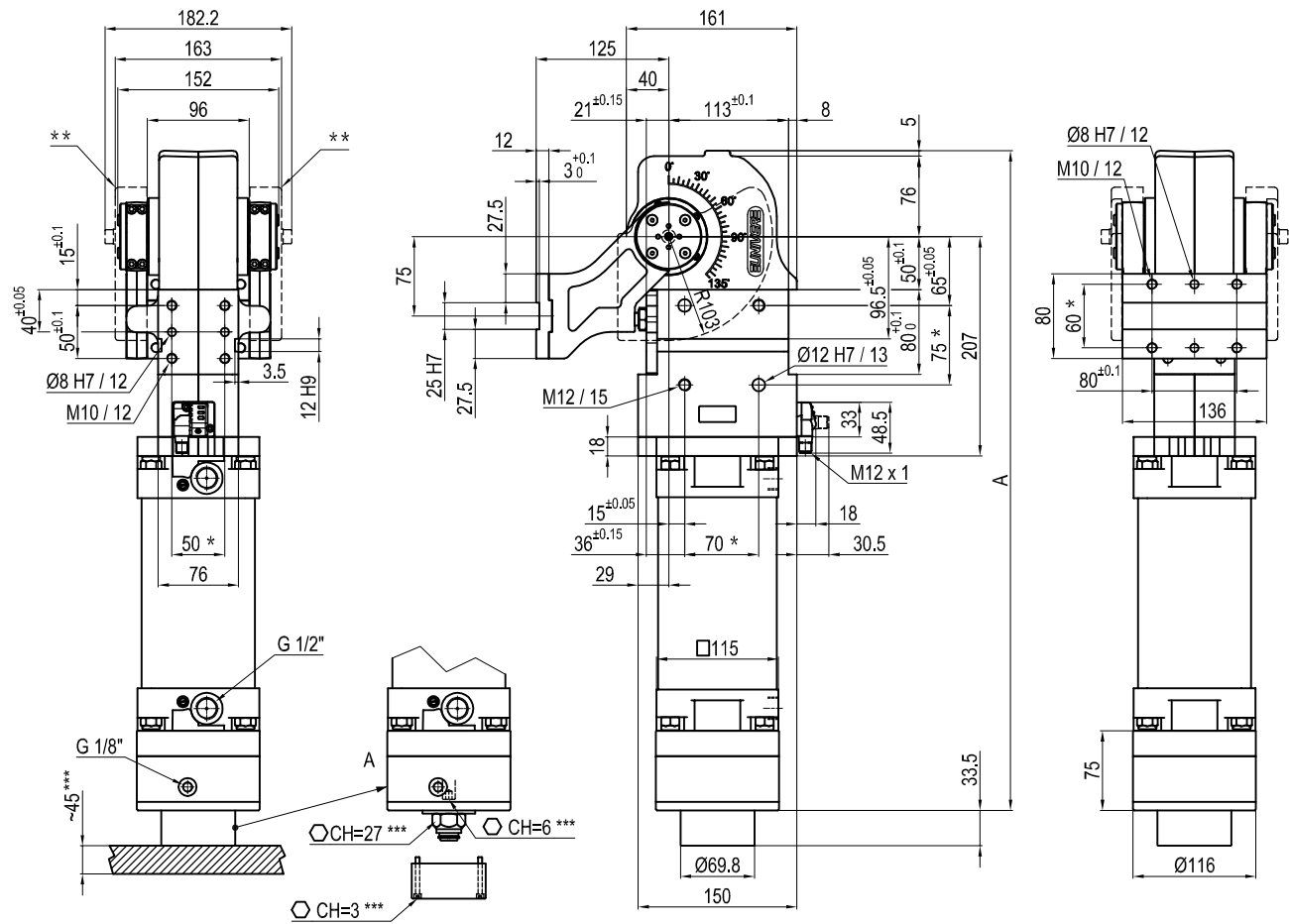
\* : TOLERANCE BETWEEN DOWEL HOLES ± 0.02, TO SCREW HOLES ± 0.1

\*\* : TO BE ORDERED SEPARATELY

\*\*\* : AREA TO ACCESS THE MANUAL UNBLOCKING OF THE SAFETY BRAKE.

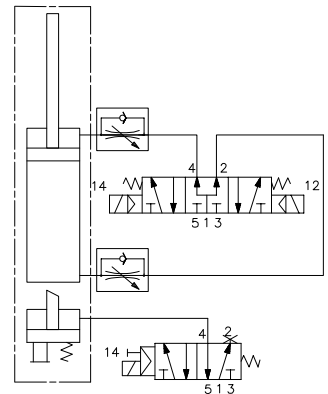
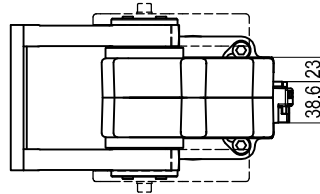
Subject to technical modifications without notice.

## Pneumatic power pivot



Passive Safety brake:  
it stops in absence of signal  
conforming to 89/392/CEE  
Directive

Pivot rotation in degrees	A
45°	561.5
60°	573
90°	598
120°	623



Size	Holding moment	Max. torque at the rotary table 0,55 MPa	Weight
120	4000 Nm	120 Nm	19 Kg

Min./Max. operating pressure: **0,4 / 0,8 MPa**

Operating temperature: **5° ÷ 45° C**

Predeterminate pivot rotation in degrees: **45° - 60° - 90° - 120°**

Vertical arm mount position

Electronic 24 Vdc sensor with M12 swivel connector that can be orientated at 0° or 90°

Protection class: **IP 65**

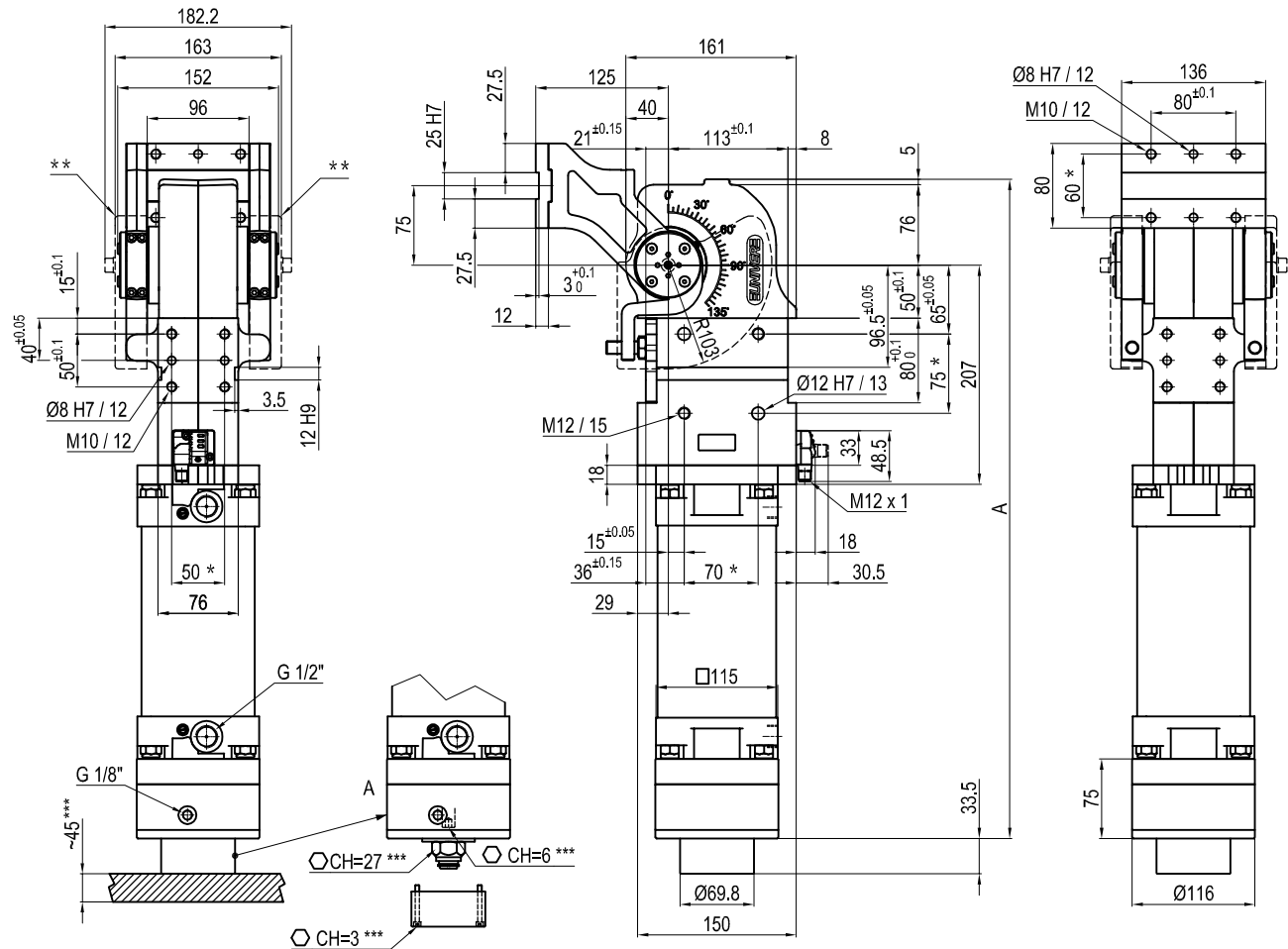
\* : TOLERANCE BETWEEN DOWEL HOLES ± 0.02, TO SCREW HOLES ± 0.1

\*\* : TO BE ORDERED SEPARATELY

\*\*\* : AREA TO ACCESS THE MANUAL UNBLOCKING OF THE SAFETY BRAKE.

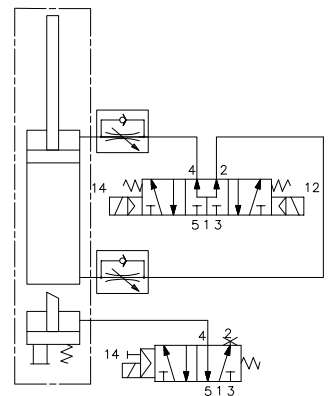
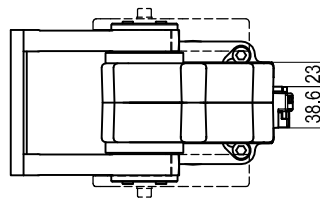
Subject to technical modifications without notice.

## Pneumatic power pivot



Passive Safety brake:  
it stops in absence of signal  
conforming to 89/392/CEE  
Directive

Pivot rotation in degrees	A
45°	561.5
60°	573
90°	598
120°	623



Size	Holding moment	Max. torque at the rotary table 0,55 MPa	Weight
120	4000 Nm	120 Nm	19 Kg

Min./Max. operating pressure: **0,4 / 0,8 MPa**  
 Operating temperature: **5° ÷ 45° C**  
 Predetermine pivot rotation in degrees: **45° - 60° - 90° - 120°**  
 Vertical arm mount position  
 Electronic 24 Vdc sensor with M12 swivel connector that can be orientated at 0° or 90°  
 Protection class: **IP 65**

\* : TOLERANCE BETWEEN DOWEL HOLES ± 0.02, TO SCREW HOLES ± 0.1  
 \*\* : TO BE ORDERED SEPARATELY  
 \*\*\* : AREA TO ACCESS THE MANUAL UNBLOCKING OF THE SAFETY BRAKE.

Subject to technical modifications without notice.