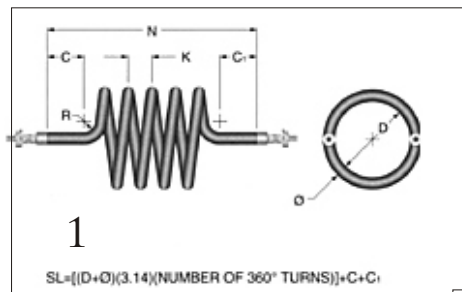


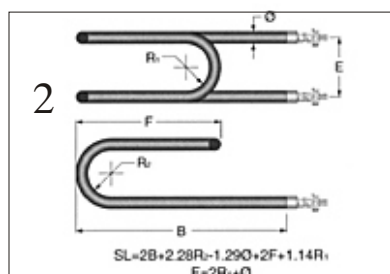


Electrolux

FABRIKA ZA EL.GREACI GUMENI
PROIZVODI,SERVIS I INDJINERING

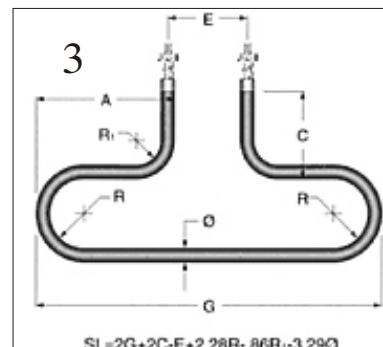


$$SL=([D+O])(3.14)(\text{NUMBER OF } 360^\circ \text{ TURNS})+C+K$$

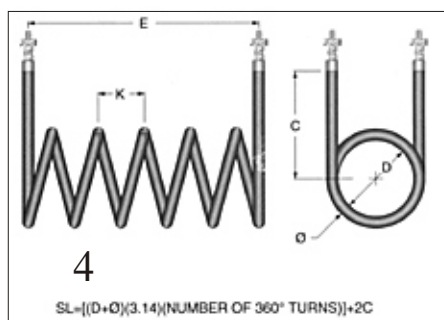


$$SL=2B+2.28R-1.29O+2F+1.14R_2$$

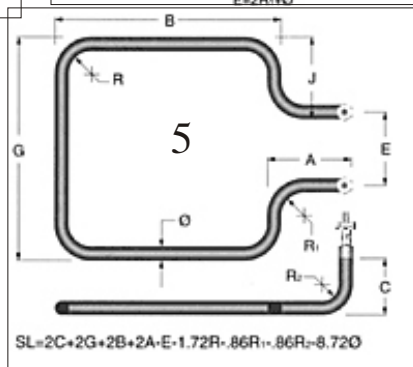
$$E=2R_2+O$$



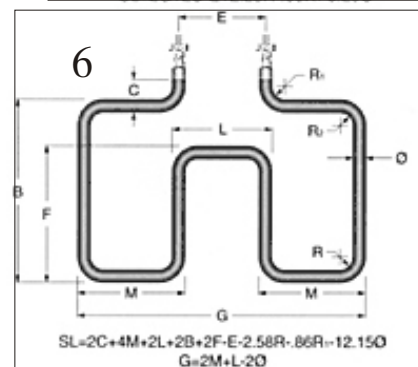
$$SL=2G+2C+E+2.28R-.86R_2-3.29O$$



$$SL=([D+O])(3.14)(\text{NUMBER OF } 360^\circ \text{ TURNS})+2C$$

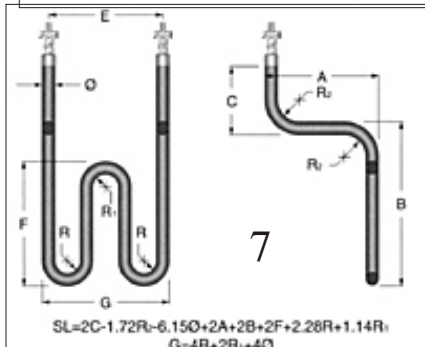


$$SL=2C+2G+2B+2A-E-1.72R_2-.86R_2-8.72O$$



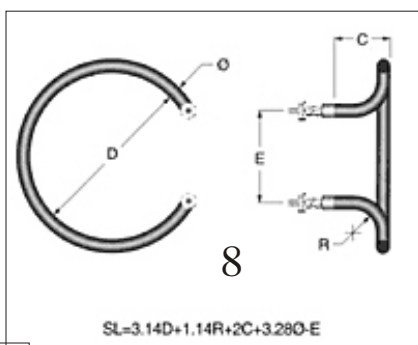
$$SL=2C+4M+2L+2B+2F-E-2.58R_2-.86R_2-12.15O$$

$$G=2M+L-2O$$

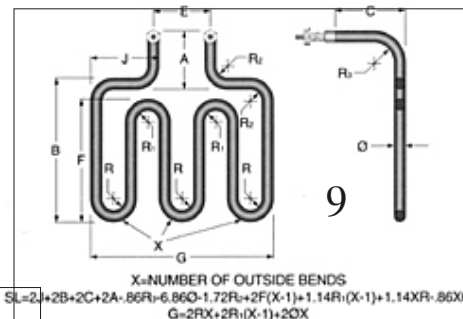


$$SL=2C-1.72R_2-6.15O+2A+2B+2F+2.28R+1.14R_2$$

$$G=4R_2+2R_2+4O$$



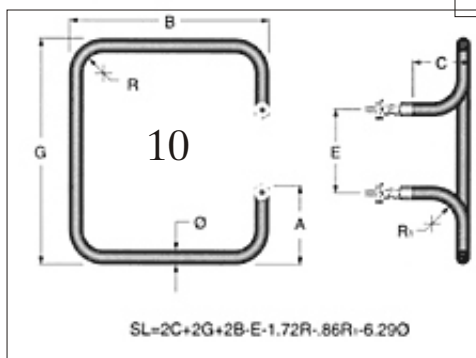
$$SL=3.14D+1.14R_2+2C+3.28O-E$$



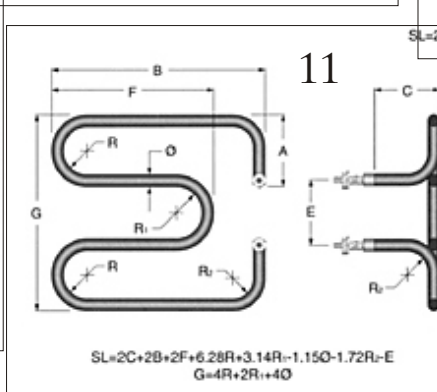
X=NUMBER OF OUTSIDE BENDS

$$SL=2C+2B+2C+2A-.86R_2-6.86O-1.72R_2+2F(X-1)+1.14R_2(X-1)+1.14R_2-.86R_2$$

$$G=2RX+2R_2(X-1)+2OX$$

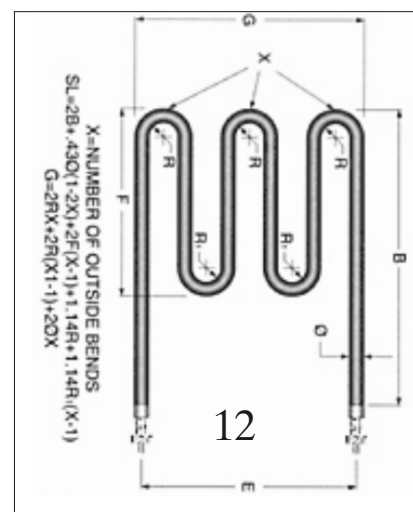


$$SL=2C+2G+2B-E-1.72R_2-.86R_2-6.29O$$



$$SL=2C+2B+2F+6.28R+3.14R_2-1.15O-1.72R_2-E$$

$$G=4R_2+2R_2+4O$$



X=NUMBER OF OUTSIDE BENDS

$$SL=2B+4O(X-2X)+2F(X-1)+1.14R_2(X-1)+1.14R_2(X-1)$$

$$G=2RX+2R_2(X-1)+2OX$$

Crtezite gi objasnuvat nacinot na poracka na greaci