

LCI40

Retractable locating pin unit
push amplifier



L	C	I	4	0	0	4	0	U	A	E	R
1	2	3	4		5	6	7	8			

1 Series	2 Version	3 Size
-----------------	------------------	---------------

LC = Retractable locating pin unit

I = Pneumatic push amplifier

40 = Ø 40 mm

4 Stroke	5 Sensing style	6 Rod end style
-----------------	------------------------	------------------------

040 = 40 mm

N = No sensor
(with protection plate)
U = Electronic 24 Vdc sensor with M12
swivel connector

A = Rod for off-set pins
B = Rod with profiled ends
C = Rod with cross-profiled ends
D = Rod for off-set pins with oversize
dowel holes

7 Rod orientation only with A and D rod end styles	8 Rod scraper
--	----------------------

E = east, standard



O = west



N = north

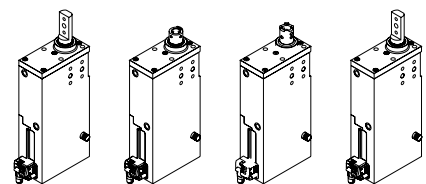


S = south



R = Rod scraper in stainless steel

■ Rod end style



Type A

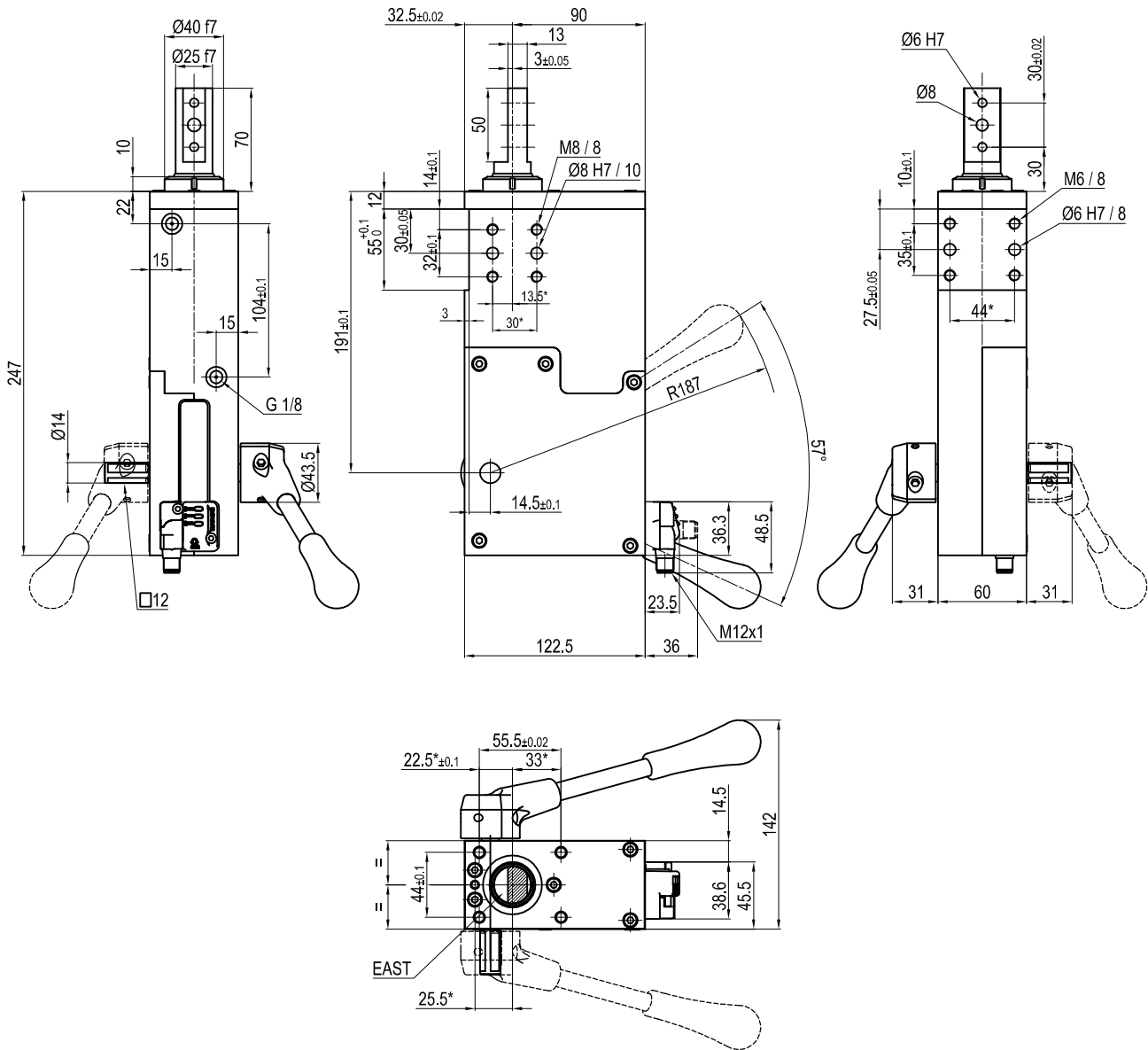
Type B

Type C

Type D

■ Manual lever to be ordered separately (part no. UK615063LC)

Pneumatic retractable locating pin unit



Bore Ø	Max. radial thrust	Max. axial thrust at 0.5 MPa	Max. bending moment	Max. deflection moment	Max. bending angle	Max. deflection angle	Weight
40 mm	150 N	11.5 kN	15 Nm	15 Nm	±0.03°	±0.03°	5.7 Kg

Min./max. operating pressure: **0,4 / 0,8 MPa**
 Operating temperature: **5° + 45° C**
 Strokes in mm.: **40**

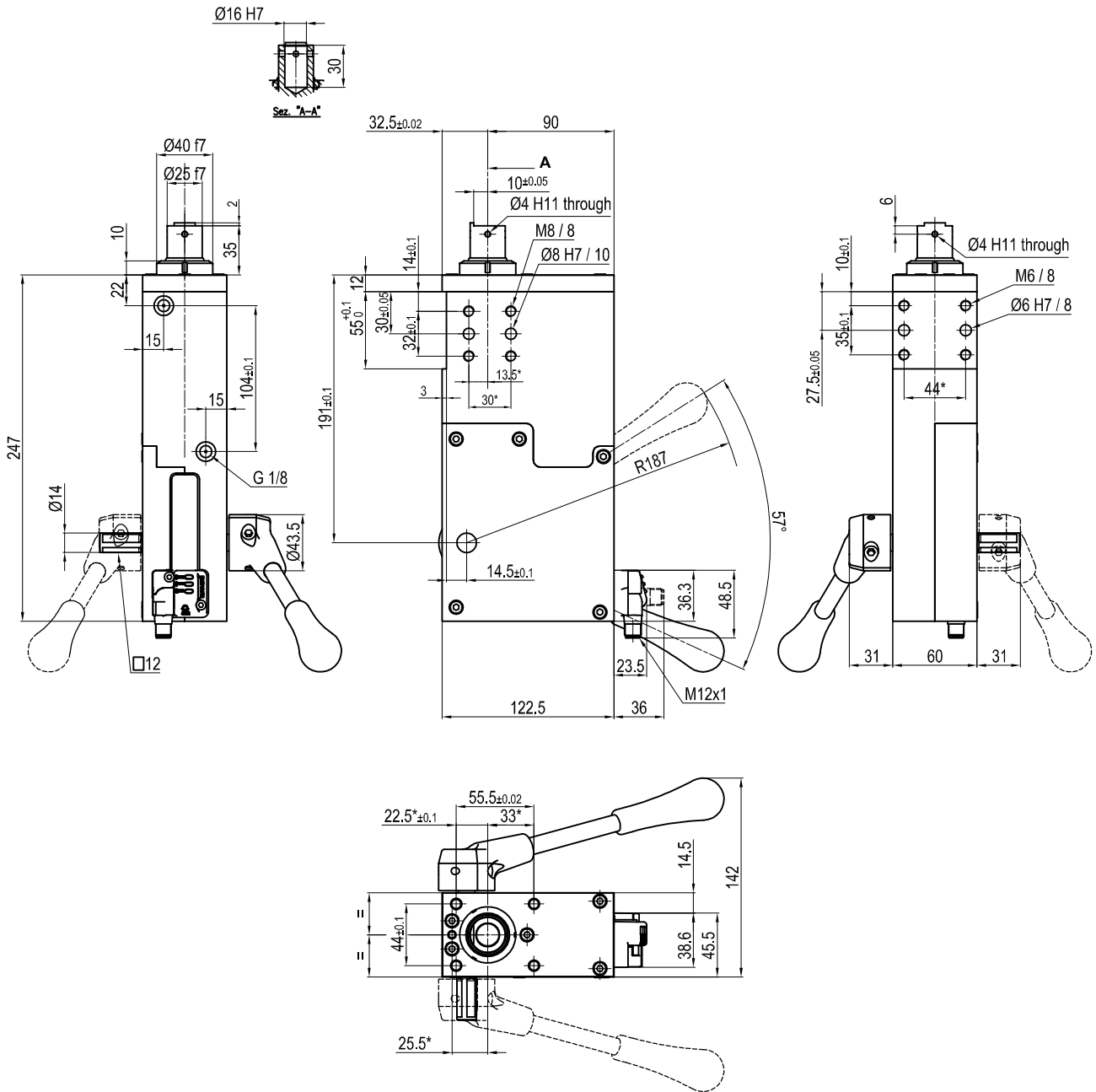
Electronic 24 Vdc sensor with M12 swivel connector that can be orientated at 0° or 90°

Protection class : **IP 65**
 Handlever to be ordered separately (UK615063LC)

* : TOLERANCE BETWEEN DOWEL HOLES ± 0.02, TO SCREW HOLES ± 0.1

Subject to technical modification without notice.

Pneumatic retractable locating pin unit



Bore Ø	Max. radial thrust	Max. axial thrust at 0.5 MPa	Max. bending moment	Max. deflection moment	Max. bending angle	Max. deflection angle	Weight
40 mm	150 N	11.5 kN	15 Nm	15 Nm	±0.03°	±0.03°	5.7 Kg

Min./max. operating pressure: **0,4 / 0,8 MPa**
 Operating temperature: **5° + 45° C**
 Strokes in mm.: **40**

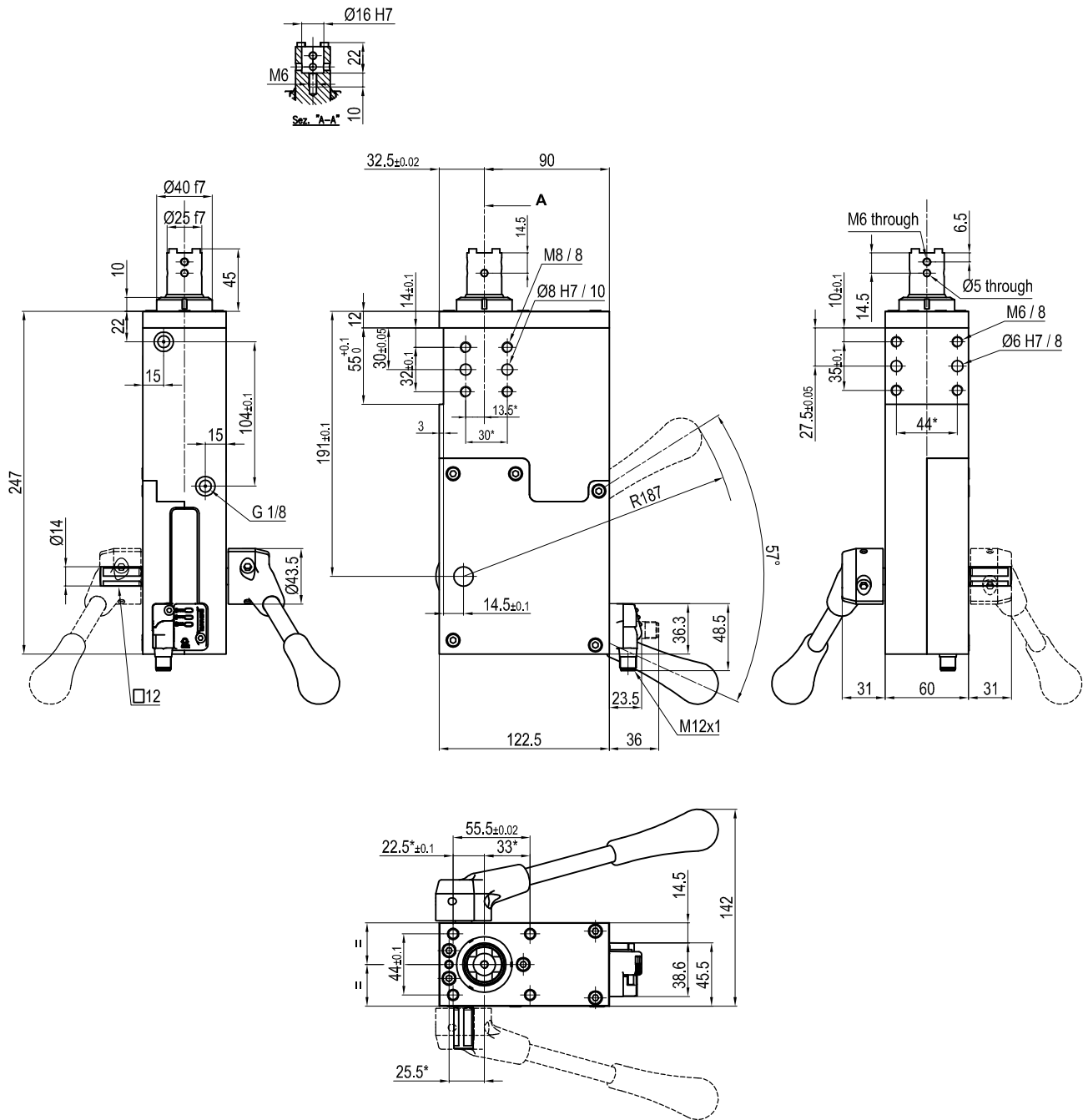
Electronic 24 Vdc sensor with M12 swivel connector that can be orientated at 0° or 90°

Protection class : **IP 65**
 Handlever to be ordered separately (UK615063LC)

* : TOLERANCE BETWEEN DOWEL HOLES ± 0.02, TO SCREW HOLES ± 0.1

Subject to technical modification without notice.

Pneumatic retractable locating pin unit



Bore Ø	Max. radial thrust	Max. axial thrust at 0.5 MPa	Max. bending moment	Max. deflection moment	Max. bending angle	Max. deflection angle	Weight
40 mm	150 N	11.5 kN	15 Nm	15 Nm	±0.03°	±0.03°	5.7 Kg

* : TOLERANCE BETWEEN DOWEL HOLES ± 0.02, TO SCREW HOLES ± 0.1

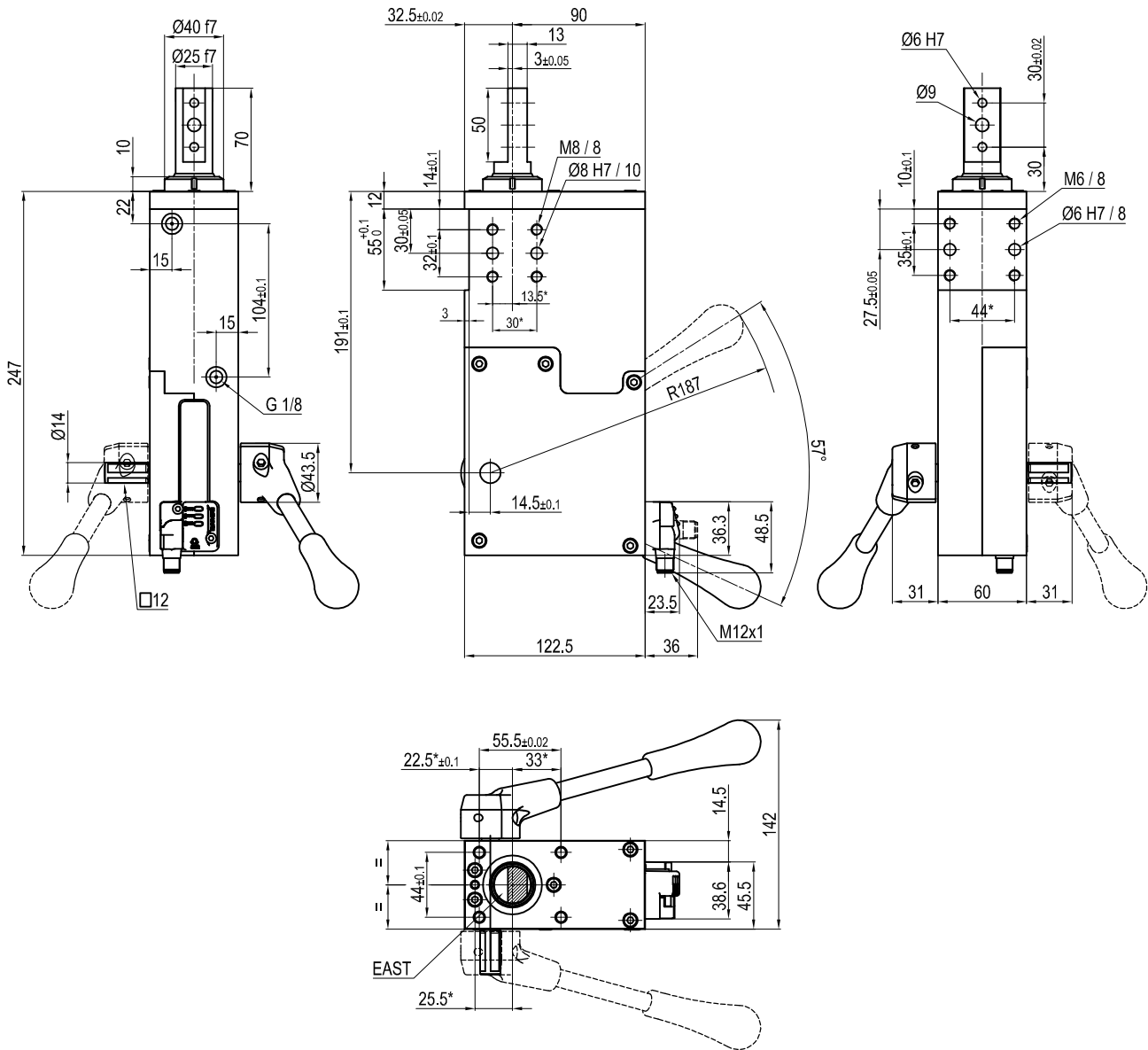
Min./max. operating pressure: **0,4 / 0,8 MPa**
 Operating temperature: **5° + 45° C**
 Strokes in mm.: **40**

Electronic 24 Vdc sensor with M12 swivel connector that can be orientated at 0° or 90°

Protection class : **IP 65**
 Handlever to be ordered separately (UK615063LC)

Subject to technical modification without notice.

Pneumatic retractable locating pin unit



Bore Ø	Max. radial thrust	Max. axial thrust at 0.5 MPa	Max. bending moment	Max. deflection moment	Max. bending angle	Max. deflection angle	Weight
40 mm	150 N	11.5 kN	15 Nm	15 Nm	±0.03°	±0.03°	5.7 Kg

Min./max. operating pressure: **0,4 / 0,8 MPa**
 Operating temperature: **5° + 45° C**
 Strokes in mm.: **40**

Electronic 24 Vdc sensor with M12 swivel connector that can be orientated at 0° or 90°

Protection class : **IP 65**
 Handlever to be ordered separately (UK615063LC)

* : TOLERANCE BETWEEN DOWEL HOLES ± 0.02, TO SCREW HOLES ± 0.1

Subject to technical modification without notice.