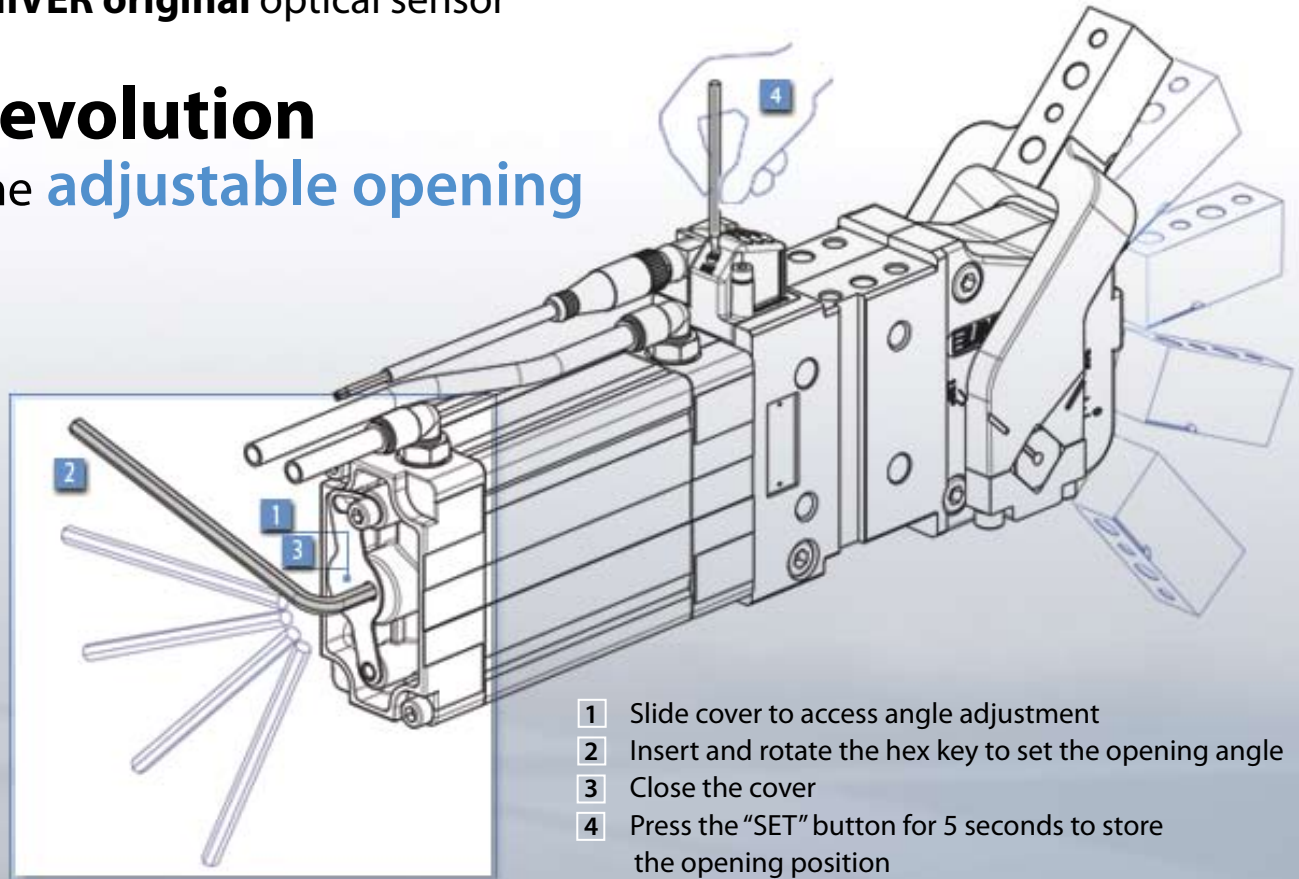


UNIVERSAL_Power clamps

- **Fully adjustable** opening angle
- **UNIVER original** optical sensor

The **evolution**
of the **adjustable opening**



- 1 Slide cover to access angle adjustment
- 2 Insert and rotate the hex key to set the opening angle
- 3 Close the cover
- 4 Press the "SET" button for 5 seconds to store the opening position

COMPLETE INTERCHANGEABILITY with LAP/LNP series:

- Interchangeable **mounting**
- Interchangeable **overall dimensions**
- Interchangeable **models and options**
- Same **inner linkage mechanism**

ADVANTAGES FOR THE END CUSTOMER:

UNIVERSAL series:

- Allows **opening angle** to be adjusted from 0° to 125° for the 40mm bore and from 0° to 135° for the 50, 63, 80mm bore
- Allows **to set the opening** angle with or without air supply
- Reduces **stock requirements: one UNIVERSAL unit** can be used to set all possible opening angles
- Can be used **as direct replacement** for LAP/LNP series
- Increases **productivity** and decreases cycle time by being able to set the clamp to the minimum required opening angle
- Guarantees the same reliability recognized by the market thanks to the use of the **already proven inner linkage mechanism** of the LAP/LNP series
- Provides **pumatic ports on both sides** of the cylinder
- Is equipped with a **UNIVER original all metal construction optical sensor**, which is IP65 and includes a swivel connector which can be orientated in 0° or 90°



UBM40

UNIVERSAL power clamps

U	B	M	4	0	N	N	U
1	2	3		4	5	6	

1 Series	2 Version	3 Size
-----------------	------------------	---------------

UB = UNIVERSAL power clamps
- fully adjustable opening angle
from 0° to 125°

M = Pneumatic with manual lever

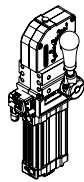
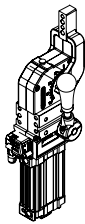
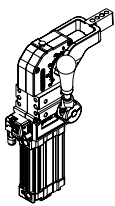
40 = ø 40 mm

4 Arm mount position	5 Arm style	6 Sensing style
-----------------------------	--------------------	------------------------

V = 90°

O = 180°

N = no arm



C = Central - standard

D = Right - standard

S = Left - standard

O = Central with self-holding system

P = Right with self-holding system

Q = Left with self-holding system

N = No arm

Y = Central, oversize dowel holes Ø 8 H7

X = Right, oversize dowel holes Ø 8 H7

Z = Left, oversize dowel holes Ø 8 H7

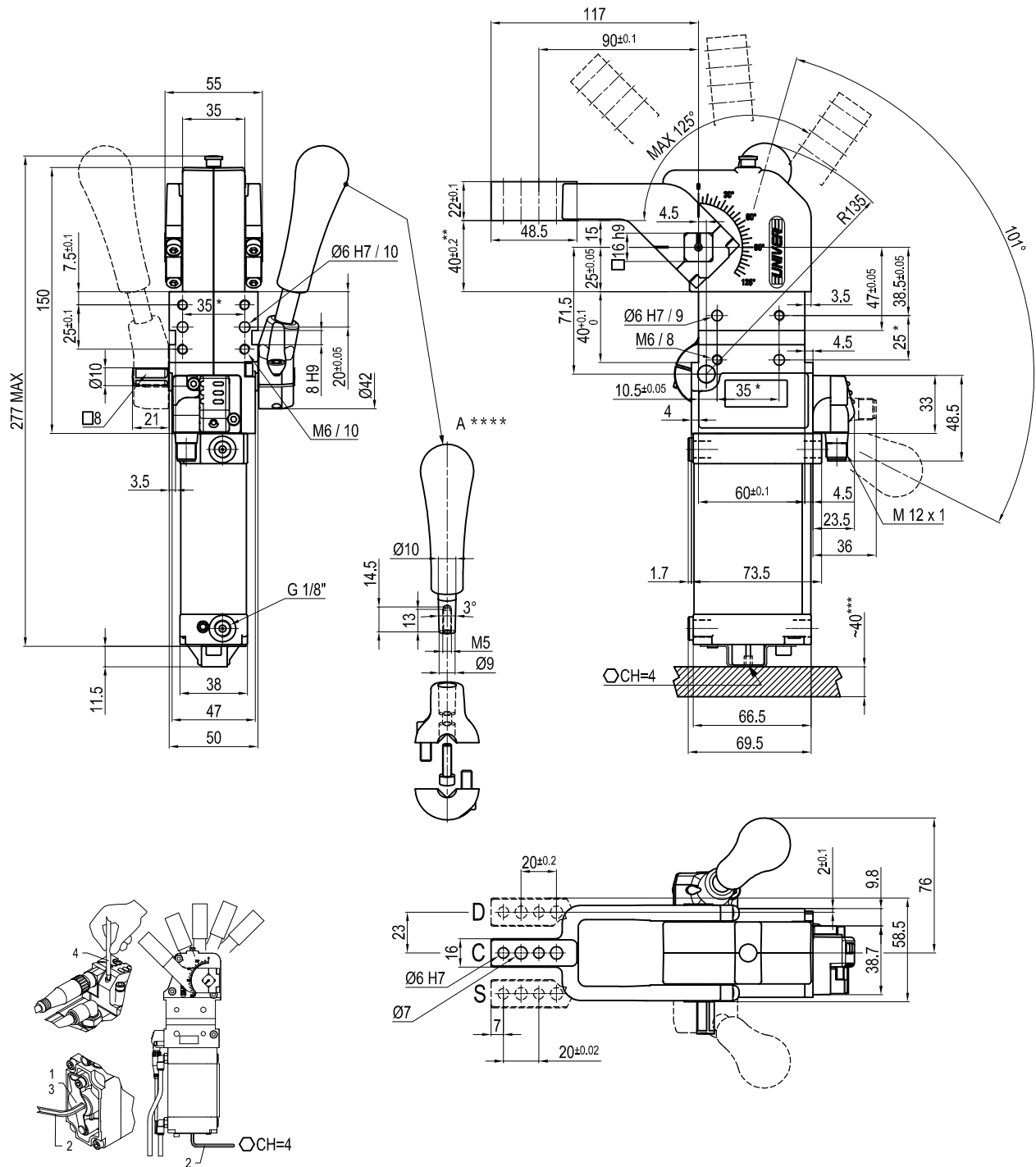
N = no sensor

(with protection plate)

U = Electronic 24 Vdc sensor with M12
swivel connector



UNIVERSAL Pneumatic power clamp



Bore Ø	Holding moment	Clamping moment	Weight
40 mm	600 Nm	170 Nm	1.9 Kg

Min./Max. operating pressure: **0,4 / 0,8 MPa**

Operating temperature: **5° + 45° C**

Opening angle: **adjustable from 0° to 125°**

Vertical arm mount position

With manual lever

Electronic 24 Vdc, sensor with M12 swivel connector that can be orientated at 0° or 90°

Protection Class: **IP 65**

Pneumatic ports on both sides

* : TOLERANCE BETWEEN DOWELS ± 0.02, TO SCREW HOLES ± 0.1

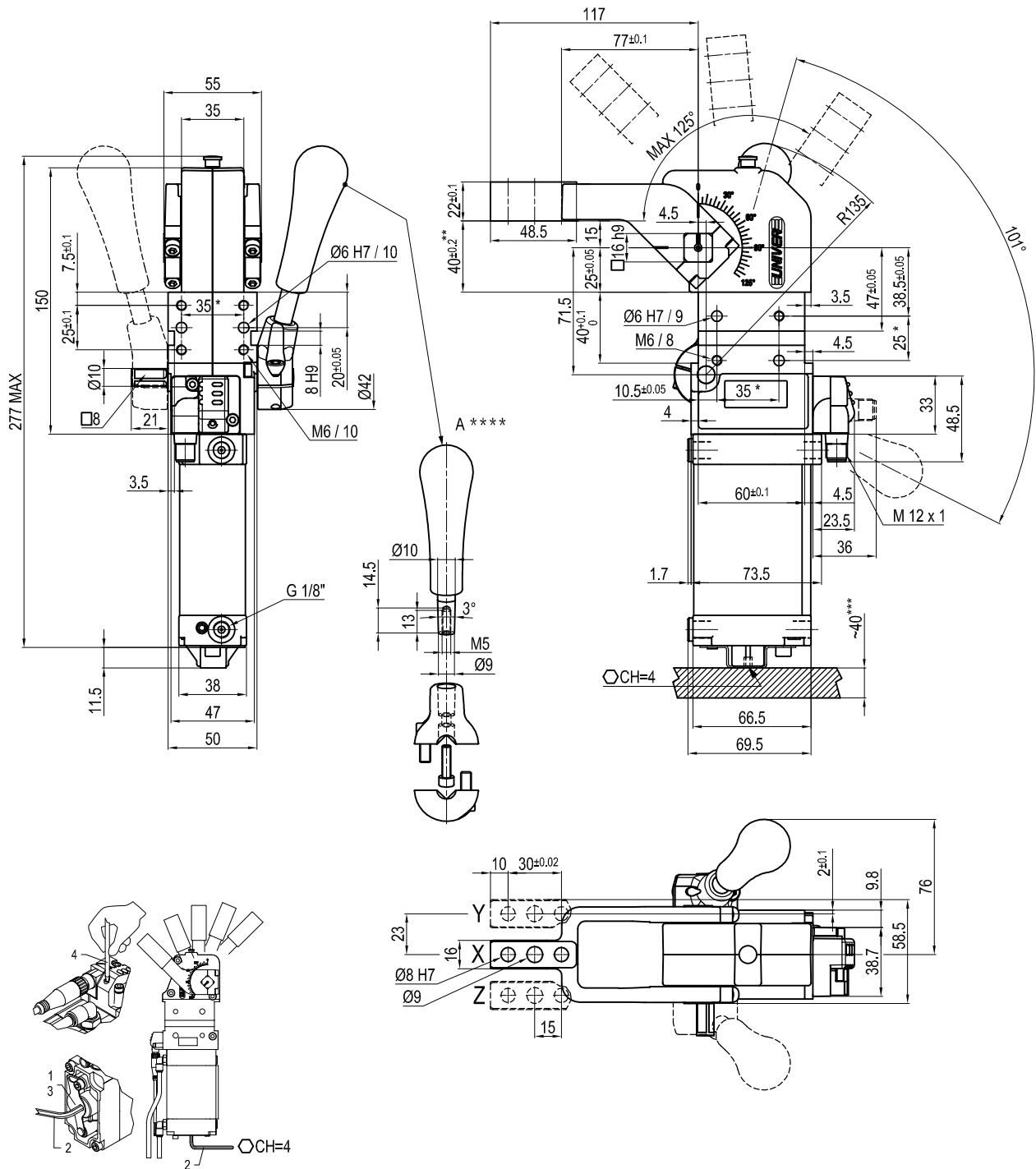
** : TOLERANCE AT 80 mm FROM PIVOT POINT

*** : AREA TO ACCESS ANGLE ADJUSTMENT

**** : DIMENSIONS TO BE RESPECTED IN CASE OTHER MANUAL LEVERS ARE USED

Subject to technical modifications without notice

UNIVERSAL Pneumatic power clamp (arm style X-Y-Z)



Bore Ø	Holding moment	Clamping moment	Weight
40 mm	600 Nm	170 Nm	1.9 Kg

Min./Max. operating pressure: **0,4 / 0,8 MPa**

Operating temperature: **5° ± 45° C**

Opening angle: **adjustable from 0° to 125°**

Vertical arm mount position

With manual lever

Electronic 24 Vdc, sensor with M12 swivel connector that can be orientated at 0° or 90°

Protection Class: **IP 65**

Pneumatic ports on both sides

* : TOLERANCE BETWEEN DOWELS ± 0.02, TO SCREW HOLES ± 0.1

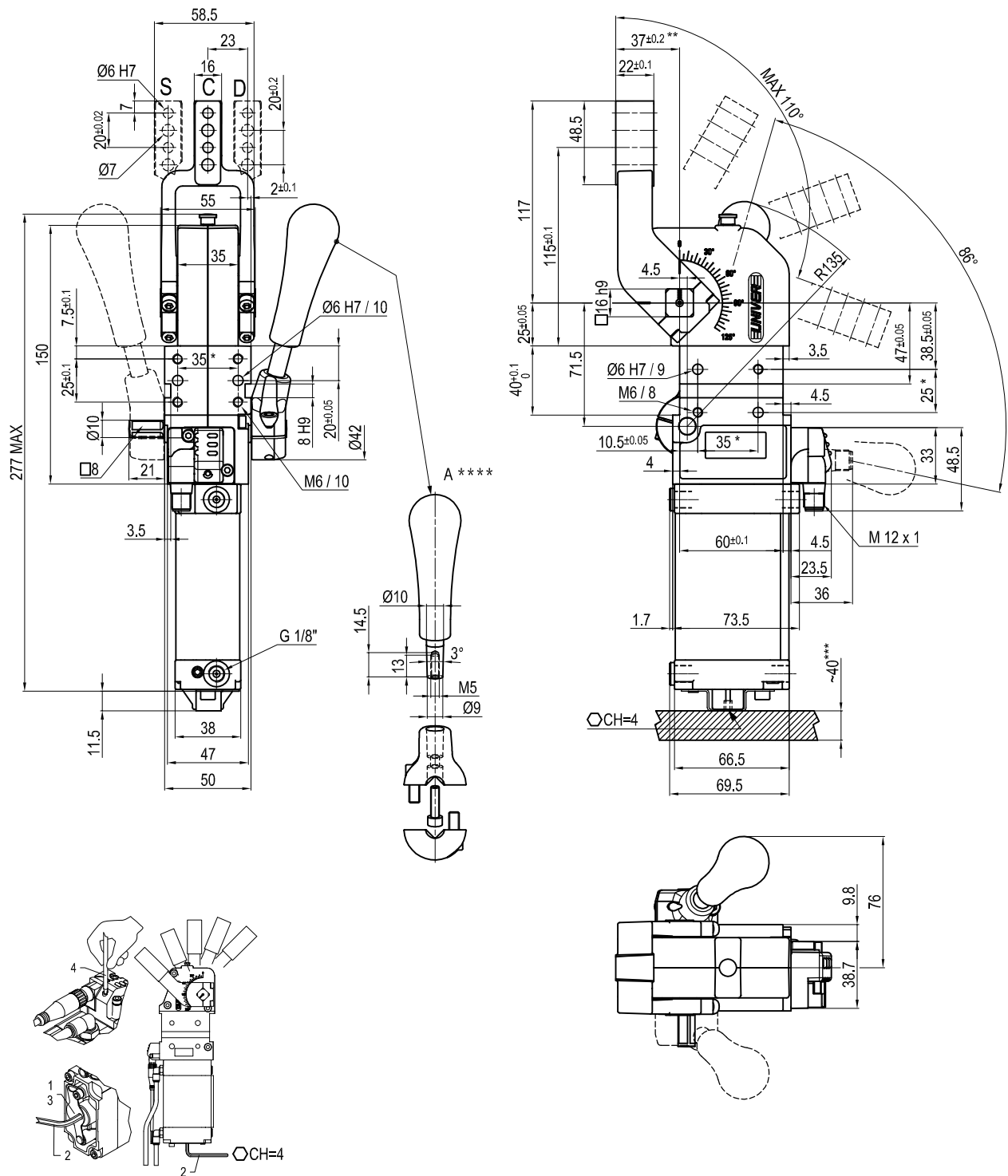
** : TOLERANCE AT 80 mm FROM PIVOT POINT

*** : AREA TO ACCESS ANGLE ADJUSTMENT

**** : DIMENSIONS TO BE RESPECTED IN CASE OTHER MANUAL LEVERS ARE USED

Subject to technical modifications without notice

UNIVERSAL Pneumatic power clamp



Bore Ø	Holding moment	Clamping moment	Weight
40 mm	600 Nm	170 Nm	1.9 Kg

Min./Max. operating pressure: **0,4 / 0,8 MPa**

Operating temperature: **5° + 45° C**

Opening angle: **adjustable from 0° to 110°**

Horizontal arm mount position

With manual lever

Electronic 24 Vdc, sensor with M12 swivel connector that can be orientated at 0° or 90°

Protection Class: **IP 65**

Pneumatic ports on both sides

* : TOLERANCE BETWEEN DOWELS ± 0.02, TO SCREW HOLES ± 0.1

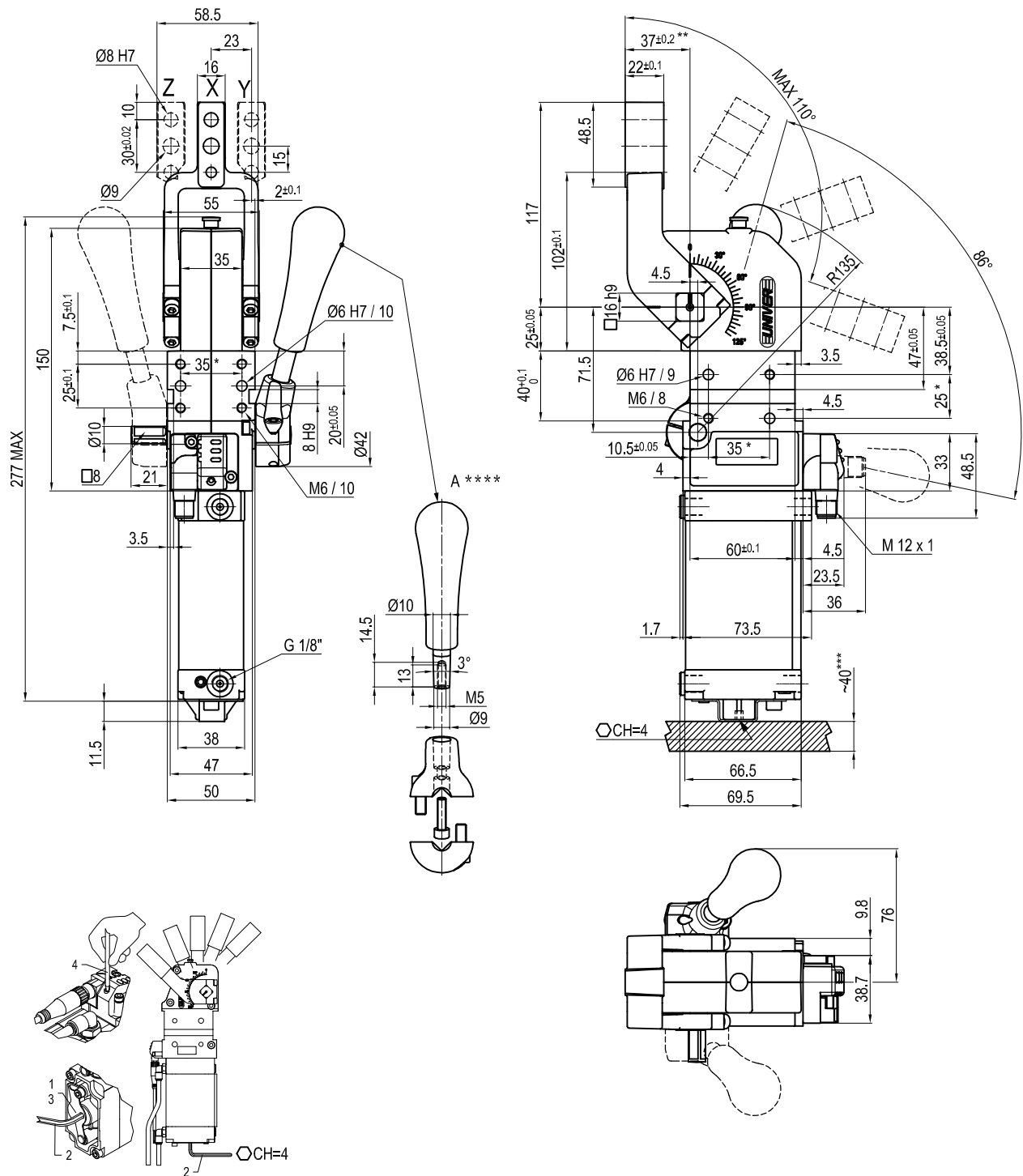
** : TOLERANCE AT 80 mm FROM PIVOT POINT

*** : AREA TO ACCESS ANGLE ADJUSTMENT

**** : DIMENSIONS TO BE RESPECTED IN CASE OTHER MANUAL LEVERS ARE USED

Subject to technical modifications without notice

UNIVERSAL Pneumatic power clamp (arm style X-Y-Z)



Bore Ø	Holding moment	Clamping moment	Weight
40 mm	600 Nm	170 Nm	1.9 Kg

Min./Max. operating pressure: **0,4 / 0,8 MPa**
 Operating temperature: **5° + 45° C**
 Opening angle: **adjustable from 0° to 110°**
 Horizontal arm mount position
 With manual lever
 Electronic 24 Vdc, sensor with M12 swivel connector that can be orientated at 0° or 90°
 Protection Class: **IP 65**
 Pneumatic ports on both sides

* : TOLERANCE BETWEEN DOWELS ± 0.02, TO SCREW HOLES ± 0.1
 ** : TOLERANCE AT 80 mm FROM PIVOT POINT
 *** : AREA TO ACCESS ANGLE ADJUSTMENT
 **** : DIMENSIONS TO BE RESPECTED IN CASE OTHER MANUAL LEVERS ARE USED

Subject to technical modifications without notice