



Industrial Blowers and Fans

high volume flow rate

high pressure

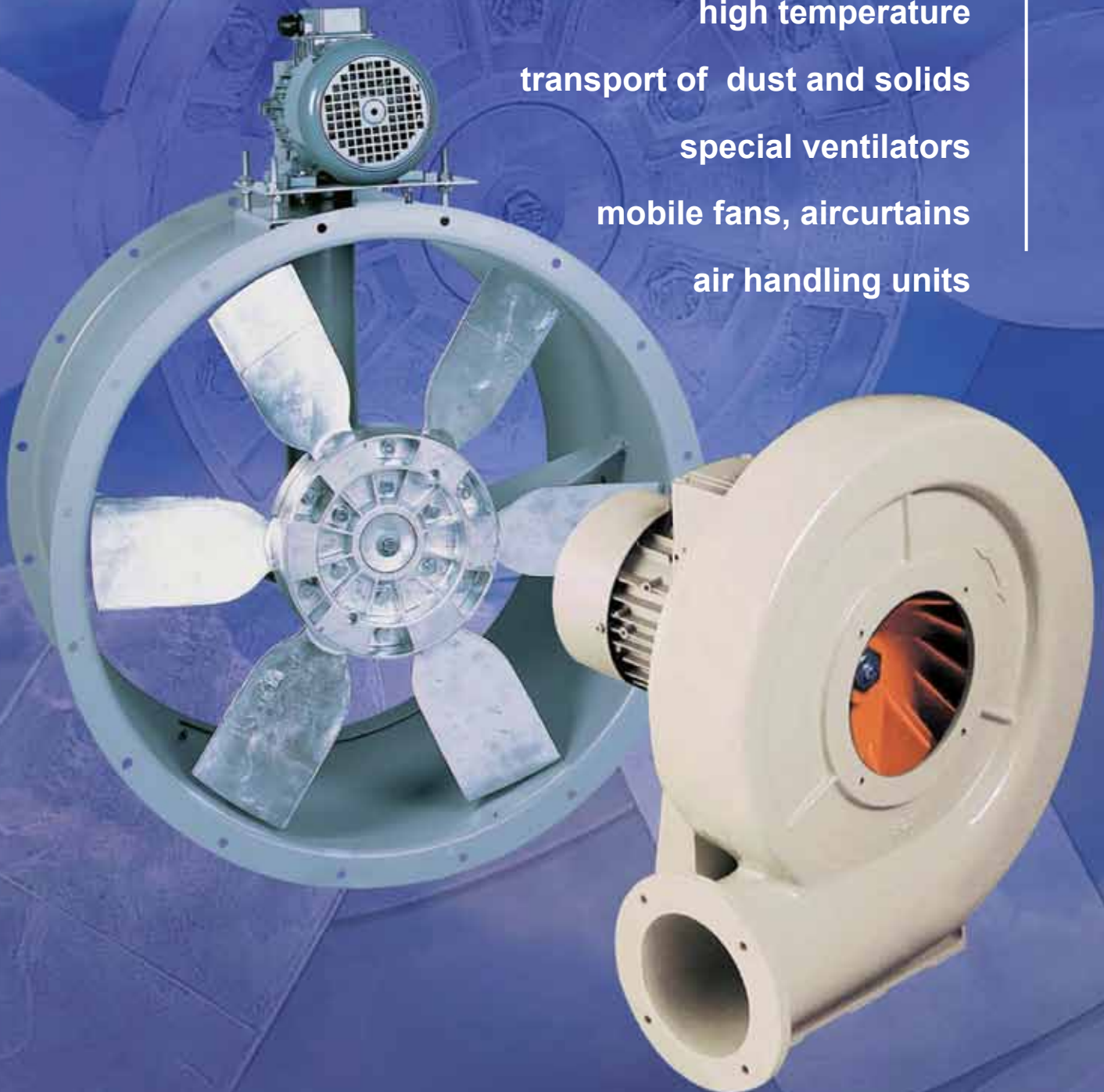
high temperature

transport of dust and solids

special ventilators

mobile fans, aircurtains

air handling units



how to work with data sheeds

Technical Details

→ here you can find most important details of every model

Typ	Drehzahl U/min	400 V A	Leistung kW	Volumenstrom m³/h	Schallpegel dB(A)	Ansaugseite B	Ausblasseite B	Ansaug-schutz RPA
DCA-234-2T-0,5	2870	0,88	0,37	280	72	B-100	B-52-E	13
DCA-142-2T-0,33	2735	0,67	0,25	460	73	B-100-E	B-63	15
DCA-142-2T-0,50	2810	0,88	0,37	660	73	B-100-E	B-63	15

Model design code:

2T = 2800 rpm / 3~ 400 Volt 50 Hz

e.g. pipe connection model code B 180 à adapted for 180mm folded spiral seam pipe

→ Datasheet (how to find the right blower)
air volume flow [m³/h] depending on static pressure [Pa]:

Typ	0	500	1000	1500	2000	2500	3000	3400	4000	4500	5000	5500	6
DCA-234-2T-0,5	280	210	140	94	40								
DCA-142-2T-0,33	*	*	*	460	400	330	220	100					
DCA-142-2T-0,50	660	600	560	510	460	390	280	130					
DCA-148-2T-1,5	*	*	930	880	830	780	700	640	500	350			
DCA-154-2T-2	*	*	*	*	*	*	*	755	680	610	530	340	

Example:

Example:

Resistance in duct system: 4000 Pa

Wanted air capacity e. g. 680 m³/hr please choose model code 154-2

Internet



<http://www.dasslerventilatoren.info/DCA.pdf>

→ here on this website you can find detailed informations
e.g. exact dimensions, performance curves and acoustic details.

Explosionsschutz

→ Option: fans with ATEX certification to work in explosive atmospheres .

Important

check electrical connection

→ and direction of rotation

→ check amperage

→ take care for spare parts

Motors: 230/400 Volt or 400/690 Volt 50 Hz, but special windings for 60 Hz e.g. are available, too

Dassler GmbH - Salzwiese 2 - D 37581 Bad Gandersheim - Germany
Tel: +49 (0) 5382 – 2317 Fax: +49 (0) 5382 4478
www.dasslerventilatoren.info
ventilator@dasslerventilatoren.info

our product range

- Axialflowfans up to 1,60 m diameter and 180.000m³/hrr volume flow:
roof-fans,
wall mounted fans and duct fans
- Mobile Fans
- Centrifugal blowers for very high pressure up to 20.000 Pa
- transportfans
- high temperature fans
- air handling units

Option: together with electric-, oil-, gas- or warmwater heating system, filters and silencers you get complete systems fo heating or air conditioning of big industrial buildings.

More infomation you can find here:

www.dasslerventilatoren.info
www.hallenheizung.com

Dassler GmbH Luft- u. wärmetechnische Systeme

Salzwiese 2

D-37581 Bad Gandersheim
GERMANY

Tel: +49 (0) 5382 2317
Fax: +49 (0) 5382 4478
ventilator@dasslerventilatoren.info

www.dasslerventilatoren.info/dasslerventilatoren.pdf

INDEX

Spezialfans	4
Roof-, wall mounted-, long cased axial fans	5
bis max. 180.000 m ³ /hr	
mobile fans	9
DHPX long cased axial fans, motor out of.	10
airstream, 150°C max. 68.000 m ³ /hrr	
DCJBR airbox	12
max. 23.000 m ³ /hrr and max. 1100 Pa	
DCPV plastic anticorrosive centrifugal fans.	14
max. 15.500 m ³ /hrr and max. 2100 Pa	
DCMR industrial fans.	16
max. 75.000 m ³ /hr and max. 3200 Pa	
DCBP Centrifugal fans especially designed for painting booths	18
max. 17.000 m ³ /hrr and max. 1000 Pa	
DCMA made from cast aluminium	20
max. 3.500 m ³ /hrr and max. 4000 Pa	
DCMAT	22
Centrifugal fans made from cast aluminium to transport dust and solids.	
DCMP cheap centrifugal fans	24
max. 21.000 m ³ /hrr and max. 2400 Pa	
DCMT Centrifugal fans to transport dust and solids	26
DCA high pressure fan made from cast aluminium.	28
max. 2.300 m ³ /hr and max. 11.000 Pa	
DCAM high pressure fan	30
max. 10.000 m ³ /hrr and max. 10.000 Pa	
DCAS high pressure fan	32
max. 42.000 m ³ /hrr and max. 16.000 Pa	
DCAST : for transport dust and solids	34
high pressure fanr	
DTCMP high temperature fan	36
max. 300°C in air stream	
DCMSH Centrifugal fans to re-circulate	37
hot gases in industrial ovens	
Accessories	38
Vortex, Sahara, ACE	40
Duct- and ceiling fans	42

Special applications

Air handling units Gas-/Oilheated or heated by warm water



Model NL

Heating medium: warm water, steam
Volume air flow: 2.000 - 94.000 m³/hr



Model NL-K

Heating medium: gas, oil
Volume air flow: 2.000 - 12.000 m³/hr
Heating capacity: 20 - 1.000 kW

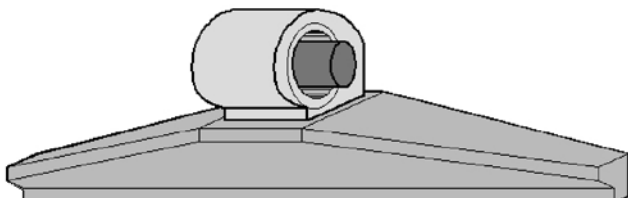


Model NL-By

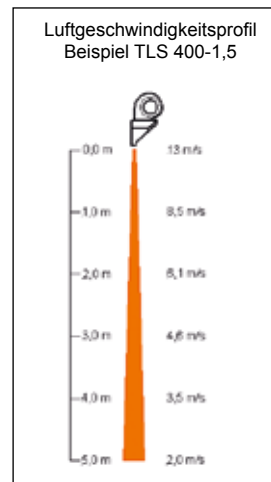
Heating medium: gas, oil
Volume air flow: 2.000 - 12.000 m³/hr
Heating capacity: 20 - 1.000 kW



Airbox with warm water heat exchanging device



Air curtains for industrial doors



Coolingbox

for automotive engine test bench

Description:

- Wall-mounted or long cased axial fans, supplied with plastic impeller or supplied with aluminium impeller
- protection grids according. DIN 24167 and UNE 20-359-74.
- Asynchronous motors, with squirrel-cage rotor.

Standard models supplied with three-phase

230/400V, 50 Hz up to 5.5 HP, and 400/690V, 50 Hz for more powerful units;

single-phase 230V, 50 Hz motors.

Class F electrical insulation.

IP-55 protection.

- speed: 2800, 1400, 900 or 700 rpm

On demand

- Airflow direction from impeller to motor.
- 100% reversible impellers.
- Special windings for different voltages
- smoke extract fans 400°C/2hr
- ATEX Certification, category 2 (see HCT/ATEX series)

Accessories

- flanges
- flexible flanges
- support base
- protection grid
- gravity shutters, motorized shutters
- speed control

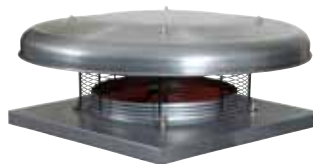


Airbox



axial flow fans

Axitub
from 250 to 1600 mm



Roof-fan



wall mounting

Axial
up to 630 mm Durchmesser



axial flow fan
motor outside
max. 150°C



mobil fans

Portatil
bis 710 mm



**short cased axial flow fans
for wall mounting**

Axian, up to 1250 mm





model code					resistance (static pressure [mm water column])*									
	rpm	Ø mm	kW	dB(A)*	0	5	10	15	25	30	40	45	50	55
2-250T 45	2800	250	0,25	66	3.000	2.800	2.200	1.500				m³/hr		
2-315T40-8 Solid	2800	315	0,75	74	4.000	3.700	3.500	3.000	2.250					
2-355T40-8 Solid	2800	355	1,1	76	7.000	6.300	6.000	5.750	5.000	4250				
2-400T34-8 Solid	2800	400	1,5	79	9200	8500	8000	7700	6700	6200	5000	4000		
2-400T40-8 Solid	2800	400	2,2	80	10400	10000	9700	9500	8700	8300	6500	5500		
2-450T34-8 Solid	2800	450	2,2	80	11500	12000	11500	11000	10000	9500	9000	8500	8000	7500
2-450T40-8 Solid	2800	450	3	81	13000	15000	14500	14300	13000	12500	11500	10500	10000	9000
4-315T45	1400	315	0,09	54	2.000	1.500								
4-355T45	1400	355	0,12	59	4.000	3.500								
4-400T45	1400	400	0,18	62	5.200	4.800	3.000							
4-450T45	1400	450	0,37	66	8.000	7.000	5.000	3.000				m³/hr		
4-500T40	1400	500	0,55	68	9.000	8.000	6.000	4.000						
4-560T30-6 Solid	1400	560	0,75	70	11.000	10.000	9.000	7.000	2000					
4-560T45-6 Solid	1400	560	1,10	72	15.000	13.000	11.500	11.000	5000					
4-630T34-6 Solid	1400	630	1,1	77	17.000	16.000	15.000	13.000	8.000	4000				
4-630T40-6 Solid	1400	630	2,2	78	20.000	18.000	15.000	16.000	10.000	5500				
4-710T30-6 Solid	1400	710	2,2	80	21.500	19.000	18.000	17.000	14.000	12.000				
4-710T45-6 Solid	1400	710	5,5	82	32.000	30.000	28.000	26.000	21.000	18.000				
4-800T30-6 Solid	1400	800	4	85	23.000	22.000	21.000	20.000	17.000	15000	10.000	5.000		
4-800T34-6 Solid	1400	800	5,5	86	27.000	26.000	25.000	23.000	20.000	17.000	12.000	10.000		
4-800T45-6 Solid	1400	800	7,5	88	37.000	36.000	35.000	32.000	29.000	26000	19000	14000		

model code 900/1000					resistance (static pressure [mm water column])*							
	rpm	Ø mm	kW	dB(A)*	0	10	30	50	60	65	70	75
4- 900T 30- 6 Solid	1400	900	5,5	88	35.000	28.000	23.000	15.000	10.000	5000	m³/hr	
4- 900T 34- 6 Solid	1400	900	7,5	90	42.000	36.000	28.000	20.000	12.000	10000		
4- 900T 40- 6 Solid	1400	900	11	92	52.000	45.000	38.000	25.000	16.000	10.000		
4-1000T34- 6 Solid	1400	1000	11	93	60.000	55.000	45.000	26.000	25.000	20.000	15.000	
4-1000T40- 6 Solid	1400	1000	15	95	73.000	70.000	55.000	40.000	30.000	25.000	20.000	
4-1000T45- 6 Solid	1400	1000	18,5	96	80.000	78.000	65.000	45.000	35.000	30.000	22.000	40000

model code 1250					resistance (static pressure [mm water column])*							
	Rpm	Ø mm	kW	dB(A)*	0	20	40	60	80	100	120	140
4-1250T30-6 Solid	1400	1250	22	94	90.000	82.000	72.000	60.000	40.000			
4-1250T34-6 Solid	1400	1250	30	95	117.000	105.000	90.000	75.000	55.000		m³/hr	
4-1250T40-6 Solid	1400	1250	45	96	140.000	130.000	115.000	90.000	70.000			
4-1250T45-6 Solid	1400	1250	55	98	160.000	150.000	130.000	110.000	80.000			
4-1250T xx-9 Solid	other model on demand											
4-1250T30-12Solid	1400	1250	30	96	90.000	82.000	75.000	70.000	60.000	50.000	40.000	25.000
4-1250T34-12Solid	1400	1250	37	97	110.000	100.000	95.000	80.000	70.000	60.000	45.000	48.000
4-1250T40-12Solid	1400	1250	55	98	135.000	125.000	115.000	105.000	95.000	70.000	60.000	45.000
4-1250T45-12Solid	1400	1250	75	99	160.200	150.000	135.000	120.000	110.000	95.000	80.000	55.000

example:

resistance in duct system: 60 mm water column = 588 Pa (Pascal)
 wanted air capacity e.g.. 80.000 m³/hr ----->model code 4-1250T34-6
 (empirical formula: 1mmWC ~ 10 Pa ~ 0,1 mbar)



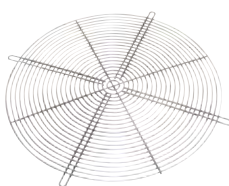
low noise: only 900 or 700 rpm

model code	Volt	speed rpm	diameter mm	volume air flow m³/hr	Motor kW	soundlevel dB(A)
6-560T 34	400	900	560	8.400	0,18	60
6-560T 45	400	900	560	10800	0,37	62
6-630T 45	400	900	630	13000	0,55	66
6-710T 40	400	900	710	17500	0,75	66
6-710T 45	400	900	710	21000	1,1	68
6-800T 34	400	900	800	26500	1,1	72
6-800T 45	400	900	800	29900	1,5	74
6-900T 34-6 Solid	400	900	900	32.000	4,3	77
6-900T 40-6 Solid	400	900	900	37.700	5,5	78
6-900T 45-6 Solid	400	900	900	42.600	5,8	79
6-1000T40-6 Solid	400	900	1000	51.600	9,5	80
6-1000T45-6 Solid	400	900	1000	57.400	2,8	82
6-1250T30-6 Solid	400	900	1250	71.700	12,8	84
6-1250T34-6 Solid	400	900	1250	85.900	17	85
6-1250T40-6 Solid	400	900	1250	101000	24,6	86
6-1250T45-6 Solid	400	900	1250	114200	33	87
8-800T 30	400	700	800	15.700	0,37	69
8-800T 34	400	700	800	18.800	0,55	70
8-800T 45	400	700	800	25.000	1,1	71
8-900T 45	400	700	900	35.500	1,5	74
8-1000T40	400	700	1000	36600	1,5	76
8-1000T45	400	700	1000	43100	2,2	78
8-1000T45-6 Solid	400	700	1000	48.700	3	78
8-1250T30-6 Solid	400	700	1250	59.600	4	74
8-1250T34-6 Solid	400	700	1250	71.600	5,5	75
8-1250T40-6 Solid	400	700	1250	84.100	7,5	76
8-1250T45-6 Solid	400	700	1250	95.200	11	78

on demand: smoke extract fans

accessories

protection grid



flanges



flexible double flange



spacers



airbox



silencer



shutter



support stand



without pictures.: motor protection switches, speedcontrol, frequence converters

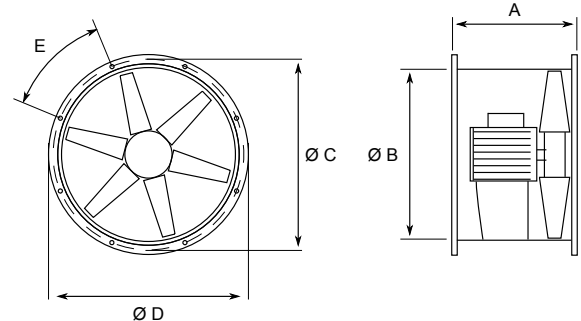




long cased axial flow fans

Dimensions [mm]:

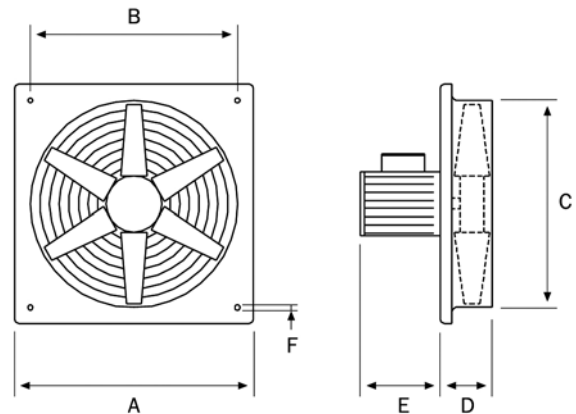
	A	Ø B	Ø C	Ø D
250	280	260	280	310
315	320	315	355	385
355	320	355	395	436
400	320	410	451	486
450	350	460	500	536
500	400	510	552	588
560	400	565	620	648
630	400	640	690	720
710	500	720	770	800
800	600	807	860	900
900	700	910	970	1010
1000	700	1010	1070	1110
1250	900	1265	1315	1355



for wall mounting

Dimensions [mm]:

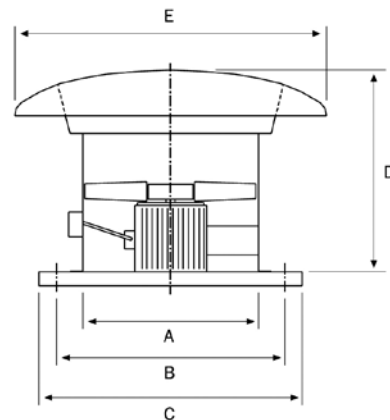
	A	B	Ø C	D	E
250	333	275	265	60	150
315	400	336	314	80	235
355	465	390	366	90	257
400	500	420	416	100	257
450	560	480	466	105	294
500	630	561	521	110	359
560	725	675	565	115	359
630	800	730	641	140	374
710	850	800	710	108	433
800	970	910	800	155	530
900	1200	1140	914	205	640
1000	1200	1140	1003	205	725



roof fans

Dimensions [mm]:

	A	B	C	D	E
315	315	360	400	480	500
355	356	450	500	500	700
400	406	600	650	50	700
450	456	600	650	580	700
500	508	710	760	630	1100
560	568	710	760	650	1100
630	640	870	930	650	1100
710	710	870	930	730	1100
800	810	870	1030	830	1400
900	910	1080	1140	930	1400
1000	1010	1170	1240	1050	1400





Mobile fans Portatil



large Axials Axialbox: low rotation - low noise



Portatil* Portatil Solid**	m³/hr	Volt	Watt	dB(A)	rpm	kg
4-315M 45***	2520	230	90	54	1400	19
4-355M 45***	3960	230	120	59	1400	21
4-400M 45***	5600	230	180	62	1400	24
4-450 M 45***	8500	230	370	6	1400	28
4-500M 40	10900	230	750	68	1400	35
4-560M 40	13000	230	750	72	1400	40
4-630M 34	16000	230	1100	74	1400	45
4-400T 45	5600	400	180	62	1400	24
4-450T 45	8500	400	370	66	1400	28
4-500T 45	10900	400	750	69	1400	35
4-560T 45	13000	400	750	72	1400	40
4-630T 40	19000	400	1500	74	1400	45
4-710T 40	24000	400	2200	78	1400	63
Axialbox****						
800/0,5	16000	400	370	60	580	48
1000/0,75	28000	400	550	63	422	63
1200/1	38000	400	750	65	330	87
1200/1,5	45000	400	1100	66	360	90

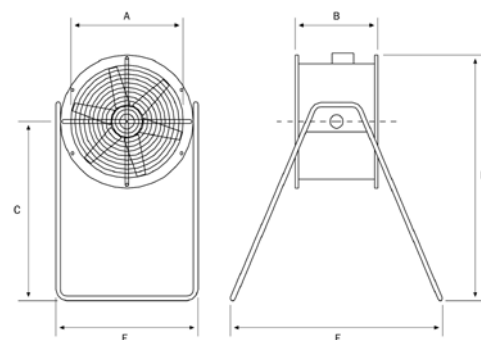
*Portatil:
thermoplastic impellers

**Portatil Solid:
aluminum cast impellers

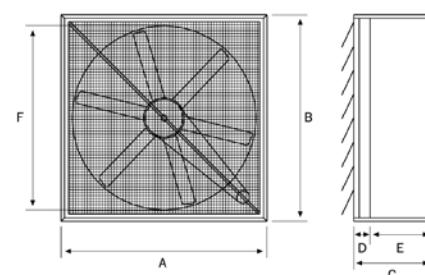
***on demand 2800 rpm

Dimensions [mm]:

Portatil	C	D	E	F
4-315M 45	500	695	479	600
4-355M 45	550	770	530	625
4-400T 45	550	792	574	625
4-450T 45	550	820	630	630
4-500T 45	600	892	674	650
4-560T 45	650	972	735	690
4-630T 40	700	1057	804	725
4-710T 40	700	1097	884	725



Axialbox	A	B	C	F
800/0,5	920	920	400	800
1000/0,75	1123	1123	428	1000
1200/1	1375	1375	485	1250
1200/1,5	1375	1375	485	1250





Long cased axial fans with external motor protection inside IP 66

-----> max 150°C inside <-----

- Long casing with sheet steel twist-lock cap.
- Cast aluminium impeller.
- Sealed transmission unit (IP66) with double retention system
- Airflow direction from motor to impeller



abgeschlossene Antriebsgruppe

Motor

- Class F external rotor motors, IP55 protection
- Single-phase 230V.-50Hz., and three-phase 230/400V.-50Hz. (up to 5.5hp.) and 400/690V.-50Hz. (power over 5.5hp)
- Working temperature: -25°C.+ 150°C.

Housing

Anticorrosive finish in polyester resin, polymerised at 190°C, after alkaline degreasing and phosphate-free pre-treatment.

on demand

Special windings for different voltages
Atex fans working in explosives atmospheres

Technical details

Model	speed rpm	400V A	Motor kW	Volume air flow m ³ /hr	soundlevel dB(A)	weight kg
DHPX-35-4T-0,16	1420	0,44	0,12	2500	60	20
DHPX-35-2T-0,75	2720	1,36	0,55	4750	77	22
DHPX-45-4T-0,33	1450	0,76	0,25	6300	69	32
DHPX-45-4T-0,5	1700	1,03	0,37	6600	70	35
DHPX-50-4T-0,75	1310	1,45	0,55	9000	70	32,5
DHPX-50-4T-1	1500	1,86	0,75	10800	71	34
DHPX-56-4T-0,75	1380	1,45	0,55	11300	72	35,5
DHPX-56-4T-1	1500	1,86	0,75	12200	73	35,5
DHPX-56-4T-1,5	1420	2,65	1,1	14500	75	39
DHPX-63-4T-1,5	1300	2,65	1,1	16000	74	59
DHPX-63-4T-2	1450	3,45	1,5	17500	78	63
DHPX-71-4T-1,5	1200	2,65	1,1	20300	78	73,5
DHPX-71-4T-2	1350	3,45	1,5	22500	79	76,8
DHPX-71-4T-3	1450	4,9	2,2	24000	81	85,2
DHPX-80-4T-3	1200	4,9	2,2	29000	83	95
DHPX-80-4T-4	1350	6,5	3	32000	84	100
DHPX-80-4T-5,5	1450	8,3	4	40500	84	106
DHPX-90-4T-5,5	1280	8,3	4	44000	89	118
DHPX-90-4T-7,5	1400	11,4	5,5	51000	91	132
DHPX-100-4T-10	1450	15,1	7,5	63000	93	159
DHPX-100-4T-15	1450	21,4	11	68000	94	181

Model design code:

2T = 2800 rpm / 3~ 400 Volt 50 Hz

4T = 1400 rpm / 3~ 400 Volt 50 Hz

e.g.: DHPX 56 = diameter 560mm



Air volume flow [m³/h] depending on static pressure [Pa]:

	50	100	150	200	250	300	350	400	500	600	700
DHPX-35-4T-0,16	1770	660									
DHPX-35-2T-0,75	4230	3690	3090	2300							
DHPX-45-4T-0,5	5990	4980	3630								
DHPX-50-4T-0,75	8180	6500	4900								
DHPX-50-4T-1	9970	8400	6040	3550							
DHPX-56-4T-1	11400	10100	8800	7240	5180						
DHPX-56-4T-1,5	12970	11900	10580	7881	5700						
DHPX-63-4T-2	16000	14600	12800	10300	6500						
DHPX-71-4T-2	21470	19180	16500	13700	10000						
DHPX-71-4T-3	22700	21200	19300	16900	13700						
DHPX-80-4T-3	28000	24800	21200	17500	12700						
DHPX-80-4T-4	30500	27800	24800	21700	18300	14000					
DHPX-80-4T-5,5	38200	35800	33300	30300	27300	23800	19700				
DHPX-90-4T-5,5	*	42000	39800	37000	33900	30700	27200	23900	14000		
DHPX-90-4T-7,5	*	49900	47700	45000	41900	38200	34500	29500	18200		
DHPX-100-4T-10	60900	58800	56700	54400	52300	49400	46700	43300	34200	23800	15500
DHPX-100-4T-15	66000	64000	62300	60500	58200	55500	52700	49300	34400	24500	17600

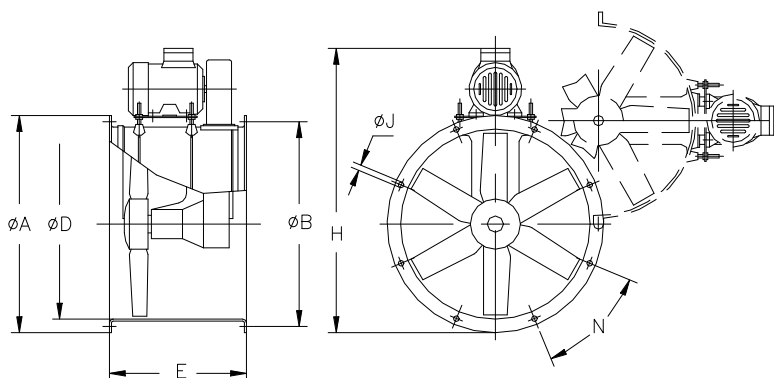
m³/hr

Example:

resistance in duct system / static pressure 150 Pa (Pascal)
 wanted air capacity e.g.. 8.000 m³/hr ----->model code 56-4T-1
Attention please: here * the fan cannot work

Dimensions [mm]:

	A	B	D	E	H
DHPX-35-2T-0,75	425	395	355	380	609
DHPX-45-4T-0,5	540	500	460	420	740
DHPX-50-4T-1	600	560	512	420	803
DHPX-56-4T-1,5	660	620	560	450	870
DHPX-63-4T-2	730	690	640	500	950
DHPX-71-4T-3	810	770	710	550	1035
DHPX-80-4T-5,5	900	860	800	600	1200
DHPX-90-4T-7,5	1015	970	900	650	1320
DHPX-100-4T-15	1115	1070	1000	750	1513



Accessories



flanges DBTUB



support stand

protection grids

flex. doubleflanges

adapter to other duct-diameter

frequence converters
speed contrl





2-stufige Lüftungsbox mit Schalldämmgehäuse



- Be- and Entlüftungseinheit mit rückwärtsgekrümmtem Lauf- rad für optimalen Wirkungsgrad.
- Gehäuse aus verzinktem Stahlblech mit Schalldämmung. Haupteigenschaft ist die geradlinige Richtung des Luft- stroms zwischen der Luftansaugung and dem Luftimpuls.
- Möglichkeit zur Montage des outletstutzens an einer belie- bigen Seitenwand. Inspektionsdeckel an beiden Seiten des Gehäuses.
- Standardmäßig mit rechteckigem outletstutzen ausgestat- tet.
Zuberhör (DTAC): rander outletstutzen



Schalldämmung

Motor

2-stufige Drehstrommotoren (230/400 V), Schutzart IP-54, Isolierklasse F für geräuscharmen Betrieb

Gehäuse

aus verzinktem Stahlblech mit Schalldämmung

Technical details

Model	speed rpm	motor kW	volume air flow m³/hr	soundlevel db (A)	weight kg
DCJBR-1240-4/8T	1430/710	0.75/0.15	4650/2325	62/47	79.4
DCJBR-1850-4/8T	1420/700	1.50/0.37	7300/3650	70/55	82.2
DCJBR-2056-4/8T	1430/710	2.20/0.45	9500/4750	72/57	128.5
DCJBR-2056-6/12T	935/436	0.75/0.15	6500/3250	62/47	123.0
DCJBR-2263-4/8T	1460/725	5.50/1.10	16600/8300	74/59	178.5
DCJBR-2263-6/12T	950/471	1.10/0.18	10050/5025	64/49	134.5
DCJBR-2071-4/8T	1469/735	10.50/2.20	23800/11900	83/68	219.5
DCJBR-2071-6/12T-3	940/471	2.20/0.37	14050/7025	68/53	149.0
DCJBR-2071-6/12T-5,5	970/481	4.00/0.65	16800/8400	70/55	195.5
DCJBR-2880-6/12T-5,5	970/481	4.00/0.65	17000/8500	71/56	194

Model design code:

4/8T = 1400/700 rpm / 3~ 400 Volt 50 Hz



Air volume flow [m³/h] depending on static pressure [Pa]:

Model	speed	100	200	300	400	500	600	700	800	900	1000
DCJBR-1240-4/8T	1430	3990	3080	1850							
DCJBR-1850-4/8T	1420	6670	5860	5040	4120	3130					
DCJBR-2056-4/8T	1430	8890	8200	7480	6670	5800	4900	3680			
DCJBR-2056-6/12T	935	5580	4300	2840							
DCJBR-2263-4/8T	1460	15800	14900	13900	12900	11600	10000	8170	5200		
DCJBR-2263-6/12T	950	9000	7980	6700	4800						
DCJBR-2071-4/8T	1469	22900	21960	21000	19900	18700	17400	15800	14000	11000	6600
DCJBR-2071-6/12T-3	940	13000	11800	10400	8820	6200					
DCJBR-2071-6/12T-5,5	970	15000	13300	11300	7820						
DCJBR-2880-6/12T-5,5	970	16000	14800	13500	12000	10200	8100	5200			

Example:

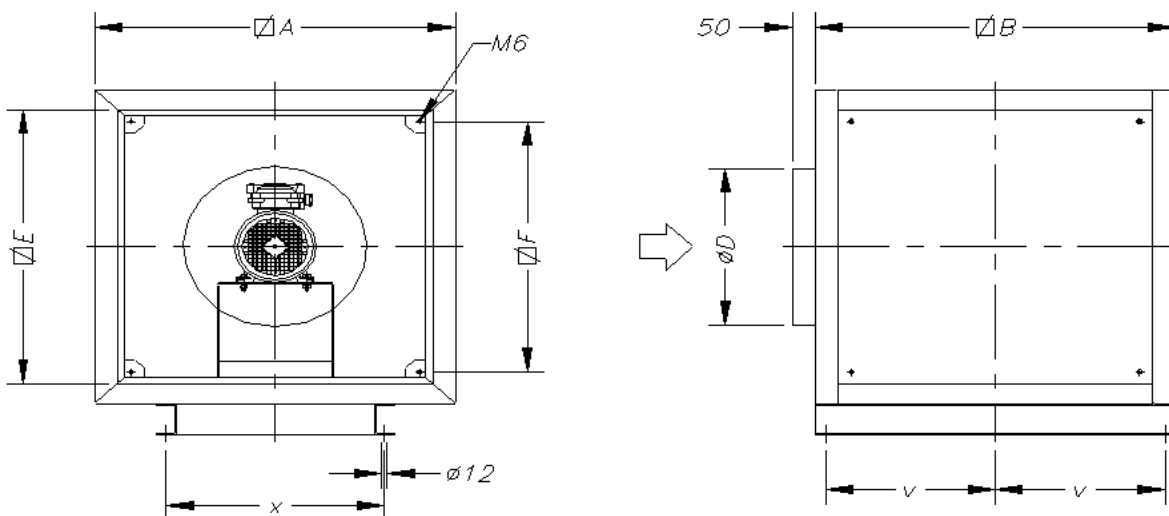
resistance in duct system / static pressure 300 Pa (Pascal)
wanted air capacity e.g.. 6.000 m³/hr ----->model code 2263 6/12T

Dimensions [mm]:

	A	B	C	D	E	F
DCJBR-1240	800	800	400	400	700	640
DCJBR-1850	800	800	400	400	700	640
DCJBR-2056	925	925	462	450	825	765
DCJBR-2263-4/8	1000	1000	500	630	900	840
DCJBR-2263-6/12	925	925	462	560	825	765
DCJBR-2071-4/8	1060	1060	530	710	960	900
DCJBR-2071-3	1000	1000	500	630	900	840
DCJBR-2071-5,5	1060	1060	530	710	960	900
DCJBR-2880	1060	1060	530	710	960	900

Accessories:

- round inlet and outlet flanges
- roof
- hood, which prevents objects and water from entering the fan





Singel inlet plastic anticorrosive centrifugal fans



Model
DCPV



centrifugal
roof fan

- Housing and wheel made from polypropylene PP.
- support stand, steel
- round inlet- and outlet
- Max. temperature: 50° C

Motor

Asynchronous motors, with squirrel-cage rotor. supplied with three-phase 230/400V, 50 Hz up to 5.5 HP, and 400/690V, 50 Hz for more powerful units; single-phase 230V, 50 Hz motors. Class F electrical insulation. IP-55 protection.

on demand

- roof fan
- explosion proofed (ATEX).

Technical details

Model	speed rpm	I max 400 V A	Motor kW	volume air flow m³/hr	soundlevel db (A)	weight kg
DCPV- 815-2T	2810	0,88	0,37	950	75	14,0
DCPV- 815-4T	1360	0,77	0,25	450	58	14,0
DCPV-1020-2T	2800	1,7	0,75	2000	81	19,5
DCPV-1020-4T	1360	0,77	0,25	1250	65	19,5
DCPV-1020-6T	880	0,85	0,25	750	53	19,5
DCPV-1325-2T	2850	4,5	2,2	3250	87	27,0
DCPV-1325-4T	1360	1,05	0,37	2300	69	27,0
DCPV-1325-6T	880	0,85	0,25	1400	59	27,0
DCPV-1630-4T	1420	3,1	1,5	4500	75	35,0
DCPV-1630-6T	910	1,52	0,55	2700	63	35,0
DCPV-1840-4T	1420	6,4	3	6000	70	48,0
DCPV-1840-6T	900	3	1,1	4200	65	42,0
DCPV-1942-4T-7,5	1450	11,4	5,5	8500	79	66,0
DCPV-1942-4T-10	1450	15,1	7,5	10500	84	77,0
DCPV-1942-6T	930	5,36	2,2	7000	75	49,5
DCPV-1942-8T	710	4,08	1,5	5500	70	56,5
DCPV-2045-4T	1450	15,1	7,5	10400	78	102,0
DCPV-2045-6T	950	7,2	3	7000	72	88,0
DCPV-1030-2T	2900	11,1	4	2900	75	66,0
DCPV-1335-2T	2915	14,7	5,5	4700	84	91,0
DCPV-1160-4T	1460	21,5	11	8000	83	243,0
DCPV-2060-4T	1460	21,5	11	12000	81	245,0
DCPV-2160-4T	1455	28,5	15	15500	77	282,0
DCPV-720-2T	2840	1,05	0,37	525	75	10,0
DCPV-825-2T	2850	2,5	1,1	1140	79	17,0
DCPV-930-2T	2880	4,37	2,2	1750	84	24,0



Air volume flow [m³/h] depending on static pressure [Pa]:

Model	100	300	500	700	900	1100	1300	1500	1700	1900	2100
DCPV-815-2T	880	700	300								
DCPV-1020-2T	*	*	1900	1550	1030	670	390	100			
DCPV-1325-2T	*	*	*	*	*	3070	2700	2200	1200		
DCPV-1030-2T	*	*	*	*	*		2800	2700	2500	2300	1800
DCPV-1335-2T	*	*	*	4600	4300	4000	3750	3470	3180	2860	2480
DCPV-720-2T	*	*	460	340							
DCPV-825-2T	*	*	*	*	*	1140	680				
DCPV-930-2T	*	*	*	*	*	*	*	*	*	1300	
DCJBR-2071-6/12T-5,5	970	15000	13300	11300	7820						
DCJBR-2880-6/12T-5,5	970	16000	14800	13500	12000	10200	8100	5200			

Model	100	200	400	700	900	1100	1300	1500	1700	1900
DCPV-815-4T	350									
DCPV-1020-4T	1070	660								
DCPV-1325-4T	2050	1560	700							
DCPV-1630-4T	4160	3800	3000	490						
DCPV-1840-4T	*	*	5780	3400						
DCPV-1942-4T-7,5	*	*	*	6600	4500					
DCPV-1942-4T-10	10200	9800	8800	6840	4750					
DCPV-2045-4T	*	*	10300	9270	7300					
DCPV-1160-4T	*	*	*	7780	7400	6970	6480	5930	5200	4200
DCPV-2060-4T	*	*	*	*	*	11100	10100	9050	7600	
DCPV-2160-4T	*	*	*	*	*	*	15000	13600	11400	

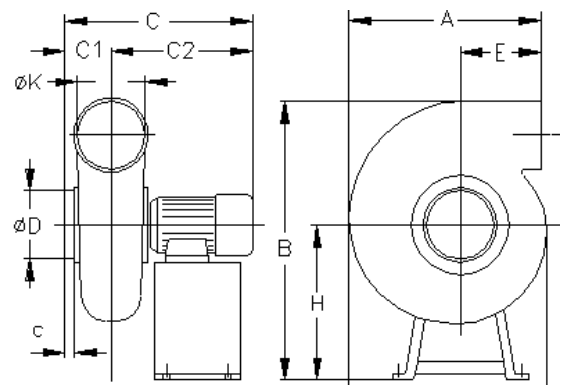
Model	0	50	100	150	200	250	300	350	400
DCPV-1020-6T	750	680	490						
DCPV-1325-6T	1400	1250	1090	820	160				
DCPV-1630-6T	2700	2545	2360	2130	1730	630	140		
DCPV-1840-6T	*	*	4200	3970	3740	3450	2860		
DCPV-1942-6T	7000	6600	6200	5780	5290	4800	4200	3560	2200
DCPV-1942-8T	5500	5030	4480	3880	3100	1770			
DCPV-2045-6T	*	*	7000	6800	6560	6300	5960	5555	4800

Example:

resistance in duct system / static pressure 150 Pa (Pascal)
 wanted air capacity e.g.. 3.500 m³/hr ----->model code 1840-6T
Attention please: here * the fan cannot work

Dimensions [mm]:

Model	width A	height B	depth C	inlet D	outlet rand	outlet eckig
815	303	521	371	125	125	
1020	340	584	440	160	160	
1325	413	735	487	200	200	
1630	490	888	529	250	250	
1840	631	819	660	355		225 x 280
1942	580	1170	792	315	315	
2045	736	1020	810	400		270 x 335
1030	494	710		200		140 x 155
1335	566	788		225		160 x 180
1160	937	1276		350		155 x 310
2060	937	1276		400		275 x 310
2160	981	1336		600		335 x 395
720	375	456	350	90	90	
825	445	522	433	125	125	
930	540	658	477	160	16	





Robust centrifugal single-inlet, fans fitted with an impeller with backward-facing blades made from robust sheet steel with motor support stand



- Sheet steel frame
- high performance backward curved impeller.
- Aerodynamically tested to achieve maximum output with minimum sound level.
- Housing with anticorrosive finish
- Max. air flow temperature: 120° C

Motor

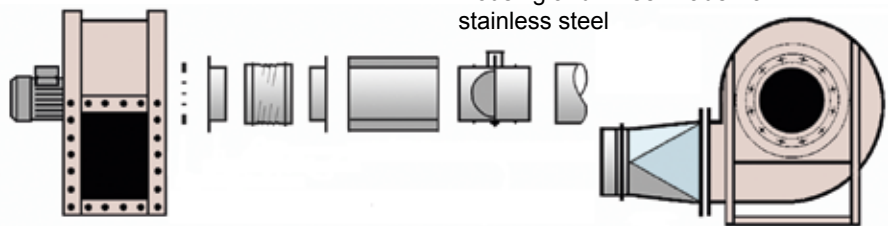
- Motor Iso Class F, protection IP55
- three phase norm motor
230/400V - 50Hz (up to 4 kW) and
400/690V - 50Hz (more than 4kW)

On demand

- Category 2 G or D ATEX certification for explosive atmospheres and CE mark Ex II 2 G/D Eex E or D.
- maximum temperature of 250°C.
- Inlet and round outlet flanges, inlet protection grid
- Silencer, shaft sealing, speed control
- Other positions of the housing, damper / throttle
- Flexible flanges, motor with other frequencies, other voltage
- housing and wheel made from stainless steel



high performance backward curved impeller, anticorrosive finish



Technical details

Model code	speed	Stromstärke A			volume air flow	motor	inlet	outlet
	rpm	230V	400V	690V	m ³ /hr	kW	mm	mm
DCMR-1031-2T	2900	5,63	3,25		5160	1,5	B-315/4	250x315
DCMR-1135-2T	2900	7,88	4,55		7800	2,2	B-355/1	280x355
DCMR-1240-2T	2895	13,51	7,8		11100	4	B-400/2	315x400
DCMR-1240-4T	1455	3,22	1,86		5800	0,75	B-400/2	315x400
DCMR-1445-2T	2915		13,9	8	16500	7,5	B-450/2	355x450
DCMR-1445-4T	1460	4,42	2,55		8030	1,1	B-450/2	355x450
DCMR-1650-2T	2910		20	11,5	18850	11	B-500/2	400x500
DCMR-1650-4T	1440	5,89	3,4		10500	1,5	B-500/2	400x500
DCMR-1650-6T	970	3,91	2,26		7410	0,75	B-500/2	400x500
DCMR-1856-4T	1455	11,09	6,4		15150	3	B-560/2	450x560
DCMR-1856-6T	965	5,04	2,9		10050	1,1	B-560/2	450x560
DCMR-2063-4T	1460		11,4	6,6	24450	5,5	B-630/2	500x630
DCMR-2063-6T	935	7,48	4,3		16100	1,5	B-630/2	500x630
DCMR-2063-8T	725	5,9	3,39		11600	1,1	B-630/2	500x630
DCMR-2271-4T	1465		21,5	12,4	34610	11	B-710/2	560x710
DCMR-2271-6T	950	12,2	6,8		22750	3	B-710/1	560x710
DCMR-2271-8T	720	7,1	4,08		17360	1,5	B-710/1	560x710
DCMR-2380-4T	1400		41	23,7	48000	22	B-800	560x800
DCMR-2380-6T	900		15,4	8,9	30000	7,5	B-800	560x800
DCMR-2380-8T	700	12,8	7,38		22000	3	B-800	560x800
DCMR-2590-4T	1475		68	39,3	54000	37	B-900/1	630x900
DCMR-2590-6T	970		23	13,3	34000	11	B-900/1	630x900
DCMR-28100-4T	1475		98	56,6	75000	55	B-1000/1	710x1000
DCMR-28100-6T	985		36	20,8	48000	18,5	B-1000/1	710x1000

Adapter from angled outlet to round tubes are available



Air volume flow [m³/h] depending on static pressure [Pa]:

DCMR	0	400	600	800	1000	1200	1400	1600	1800	2000	2200	2400	2600	2800	3000
1031-2	5160	4000	3500	2900	2100	1400									
1135-2	7800	7100	6700	6380	5930	5380	4320	2130							
1240-2	11100	9700	9300	8850	8280	7740	7000	5900	4750	3670	2300				
1445-2	16500	15700	15300	14900	14200	13400	12650	11600	10700	9780	8700	7600	5780	3000	
1650-2	18850	17900	17400	16900	16300	15800	14900	14500	13800	12900	11800	10600	9200	7870	6100
28100-4					72000	70900	68700	66400	63700	61000	57800	54000	50500	45000	38500

m³/h

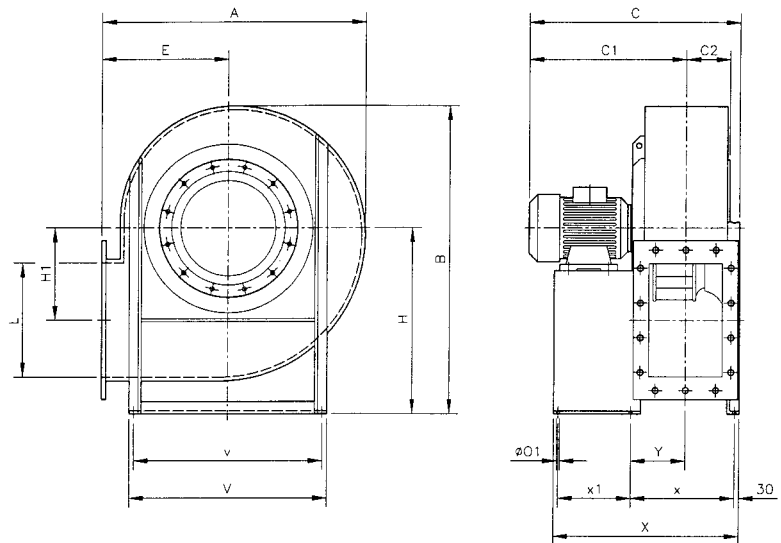
DCMR	0	400	600	800	1000	1200	1400	1500	1800	2000	2200
1240-4	5800	2700									
1445-4	8030	5160	2200								
1650-4	10500	7180	5100								
1856-4	15150	12370	10370	7830							
2063-4	24450	21500	19900	18000	15700	13450	9600	6000			
2271-4	34610	30900	29280	27700	25900	24000	21600	20000	7800		
2380-4	*	48000	45500	43460	40880	37900	34670	32800	27000	21600	15600
2590-6	*	*	32700	28700	22900						
2590-4	*	*	*	*	50600	51400	48300	45800	43000	39600	35300
28100-6	*	*	47000	43800	39700	34000	21900				

Example:

resistance in duct system / static pressure 150 Pa (Pascal)
 wanted air capacity e.g.. 3.500 m³/hr ----->model code 1840-6T-1
Attention please: here * the fan cannot work

Dimensions [mm]:

Model	A	B	C
1031	542	626	567
1135	600	696	583
1240	673	790	728
1445	765	880	810
1650	832	970	961
1856	925	1084	832
2063	1037	1218	973
2271	1173	1375	1126
2380	1330	1650	1165
2590	1490	1780	1390
28100	1670	1980	1470



ask for accessories:





Robust centrifugal single-inlet, fans fitted with an impeller with backward-facing blades made from robust sheet steel without motor support stand



DCBP



DCBPC



high performance backward curved impeller, anticorrosive finish

Fan:

single inlet centrifugal fan DCBPC with vertical outlet max 120°C in airstream

Housing with anticorrosive finish

Motor:

- Motor Iso Class F, protection IP55
- three phase norm motor 230/400V - 50Hz (up to 4 kW) and 400/690V - 50Hz (more than 4kW)

On demand

- Category 2 G or D ATEX certification for explosive atmospheres and CE mark Ex II 2 G/D Eex E or D.
- maximum temperature of 250°C.
- speed control
- motor with other frequencies, other voltage

Technical details

Model	speed rpm	Stromstärke A 400V	Motor KW	Luftleistg m³/hr	soundlevel dB (A)	weight kg (PC)*	inlet mm	outlet mm (P)*
1445-4T	1460	2,55	1,1	9000	73	77	450	355x450
1650-4T	1440	3,4	1,5	12000	76	98	500	400x500
1556-4T	1455	6,4	3	14000	78	150	560	450x560
1856-4T	1455	6,4	3	16000	80	150	560	450x560

* (PC) = DCBPC * (P) = DCBP

Air volume flow [m³/h] depending on static pressure [Pa]:

DCBP	0	200	400	600	700	900
1445-4	9000	8200	6900	4600		
1650-4	12000	10900	9400	7100	5300	
1556-4	14000	12000	10500	8000	6200	2900
1856-4	17000	15500	13600	11200	9700	5100

Example:

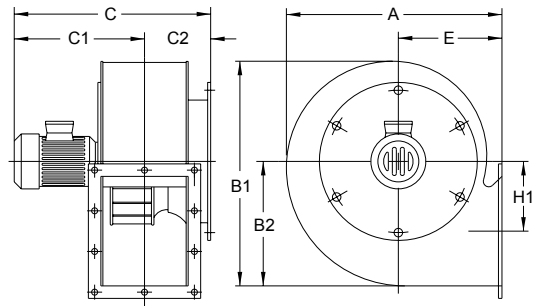
resistance in duct system / static pressure 700 Pa (Pascal)
 wanted air capacity e.g.. 6.000 m³/hr ----->model code 1556-4T



Dimensions [mm]:

DCBP	A	B	C
1445	765	847	765
1650	832	932	855
1554	923	1041	890
1856	923	1041	890

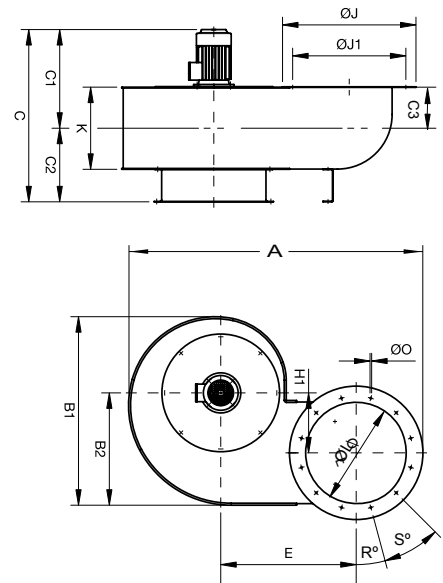
DCBP



Dimensions [mm]:

DCBPC	A	B	C
1445	1330	847	765
1650	1456	932	848
1554	1598	1041	890
1856	1598	1041	890

DCBPC



Ask for accessories





Centrifugal fan with casing and impeller made from cast aluminium



different housing positions

- Cast aluminium casing
- Cast aluminium impeller
- Models 324, 325 and 426 with polyamide impeller, model 531-2T-3 with sheet steel impeller
- Max. airflow temperature: -20°C.+ 120°C, maximum +70°C for models with polyamide impeller
- Housing with anticorrosive finish

Motor

- Motor Iso Class F, protection IP55
- three phase norm motor 230/400V - 50Hz (up to 4 kW) and 400/690V - 50Hz (more than 4kW)

On demand

- Special windings for different voltages
- Cast aluminium impellers for models 324, 325 and 426
- max temperatur air up to 250°C
- Category 2 G or D ATEX certification CE mark Ex II 2 G/D Eex E or D.
- Inlet and round outlet flanges, inlet protection grid
- Silencer, shaft sealing, speed control
- damper / throttle
- Flexible flanges, motor with other frequencies, other voltage

Technical details

	speed rpm	230 V A	400V A	Motorleistung KW	Volume air flow m ³ /hr	Schallpegel dB(A)	inlet mm	outlet mm	Schutzgittermodel RP A
DCMA-218-2T/M	2920	0,61	0,35	0,12	265	63	B-80	B-63	11
DCMA-324-2T/M	2850	0,97	0,56	0,18	440	70	B-80	B-63	13
DCMA-325-2T/M	2780	1,64	0,95	0,25	600	73	B-100	B-80	15
DCMA-426-2T/M	2765	1,52	0,88	0,37	850	75	B-112	B-100	15
DCMA-527-2T/M	2800	2,00	1,2	0,55	1000	80	B-125	B-100	17
DCMA-528-2T/M-1	2780	2,95	1,7	0,75	1250	82	B-125	B-125	18
DCMA-528-2T/M-1,5	2850	4,32	2,5	1,1	1750	83	B-125	B-125	18
DCMA-531-2T/M-1,5	2880	4,32	2,5	1,1	1790	84	B-150	B-150	20
DCMA-531-2T/M-2	2850	5,54	3,2	1,5	2000	85	B-150	B-150	20
DCMA-531-2T/M-3	2800	7,80	4,5	2,2	2400	86	B-150	B-150	20
DCMA-540-2T	2890		3,2	1,5	2600	85	B-180	B-150	23
DCMA-545-2T-3	2840		4,5	2,2	2630	86	B-180	B-180	25
DCMA-545-2T-4	2880		5,9	3	3550	88	B-180	B-180	25

Model design code:

2T = 2800 rpm / 3~ 400 Volt 50 Hz

2M = 2800 rpm / single phase 230V 50 Hz

e.g. pipe connection model code B 180 adapted for 180mm folded spiral seam pipe



Air volume flow [m³/h] depending on static pressure [Pa]:

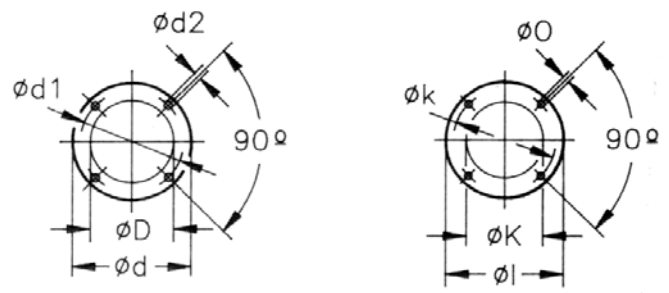
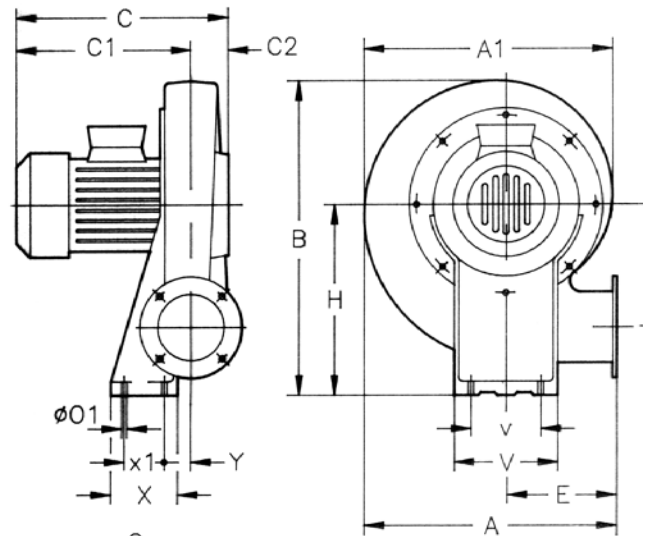
	100	300	500	800	1000	1200	1400	1600	1800	2000	2200	2400	2600	2800	3000	3400	3800	4000
218	220	170	100															
324	400	370	320	250	180	115	25											
325	550	480	420	330	275	210	0											
426	790	690	590	450	350	260	160											
527	950	880	815	700	610	500	380	230										
528-1	*	1200	1100	970	830	680	520	340	0									
528-1,5	1700	1600	1550	1390	1280	1140	970	750	230									
531-1,5	*	*	*	*	1700	1550	1400	1180	840	100								
531-2	*	*	1900	1780	1680	1570	1420	1250	1010	700	0							
531-3	*	*	*	*	2350	2150	1980	1770	1530	1250	950	680	440	140				
540	2550	2500	2440	2330	2270	2180	2100	1980	1840	1690	1480	1240	1010	750	470			
545-3	*	*	*	*	*	*	*	*	*	*	*	2530	2380	2250	2090	1800	1130	
545-4	3500	3450	3380	3280	3230	3150	3070	2980	2880	2800	2700	2590	2480	2300	2230	1950	1510	1240

Example:

resistance in duct system / static pressure 2400 Pa (Pascal)
 wanted air capacity e.g.. 1.200 m³/hr ----->model code 540
Attention please: here * the fan cannot work

Dimensions [mm]:

	A	A1	B	C	H
DCMA-218	241	236	288	232	170
DCMA-324	311	302	356	264	205
DCMA-325	335	328	399	284	235
DCMA-426	354	344	412	295	240
DCMA-527	371	361	440	303	260
DCMA-528	401	395	488	352	290
DCMA-531	440	434	537	364	320
DCMA-540	567	580	680	459	400
DCMA-545	651	646	776	483	450



Ask for accessories





Centrifugal single-inlet, medium-pressure fans with casing and straight-blade impeller made from cast aluminium to transport dust and solids



Fan:

- Cast aluminium casing
- Cast aluminium straight-blade
- impeller for models 324 to 531 and sheet steel for models 540 to 545
- Housing with anticorrosive finish
- Max. air flow temperature: 120° C

Motor

- Motor Iso Class F, protection IP55
- three phase norm motor 230/400V - 50Hz (up to 4 kW) and 400/690V - 50Hz (more than 4kW)

On demand

- max temperatur air up to 250°C
- Category 2 G or D ATEX certification CE mark Ex II 2 G/D Eex E or D.
- Inlet and round outlet flanges, inlet protection grid
- Silencer, shaft sealing, speed control
- damper / throttle
- Flexible flanges, motor with other frequences, other voltage

Technical details

	speed rpm	400V A	Motorleistung KW	Volume air flow m ³ /hr	Schallpegel dB(A)	inlet mm	outlet mm	Schutzgittermodell RPA
DCMAT-324-2T	2850	0,7	0,18	300	70	B-80	B-63	13
DCMAT-325-2T	2810	0,95	0,25	450	73	B-100	B-80	15
DCMAT-426-2T	2830	1,1	0,37	650	75	B-112	B-100	15
DCMAT-527-2T	2830	1,1	0,37	900	80	B-125	B-100	17
DCMAT-528-2T-1	2855	1,7	0,75	1400	80	B-125	B-125	18
DCMAT-531-2T-1,5	2850	2,5	1,1	1790	84	B-150	B-150	20
DCMAT-540-2T-2	2860	3,2	1,5	2080	80	B-180	B-150	23
DCMAT-540-2T-3	2880	4,5	2,2	2800	82	B-180	B-150	25
DCMAT-545-2T-4	2890	6,1	3	3110	80	B-180	B-180	25

Model design code:

2T = 2800 rpm / 3~ 400 Volt 50 Hz

e.g. pipe connection model code B 180 adapted for 180mm folded spiral seam pipe



Air volume flow [m³/h] depending on static pressure [Pa]:

DCMAT	100	300	500	800	1000	1200	1400	1600	1800	2000	2200	2400	2600	2800	3000	3400
324	270	240	215	150	90	0										
325	420	370	315	220	140	40										
426	620	570	510	400	300	130	0									
527	850	780	700	570	460	340	130									
528	1330	1260	1170	990	840	620	330									
531	1730	1650	1600	1420	1290	1100	900	600	50							
540-2	*	*	*	*	*	*	*	*	1990	1780	1570	1370	1160	760	180	
540-3	*	*	2700	2600	2540	2450	2320	2200	2000	1900	1700	1500	1300	1015	440	
545-4	*	*	*	3100	2980	2800	2700	2500	2370	2180	1990	1760	1500	1340	1050	260
531-3	*	*	*	*	2350	2150	1980	1770	1530	1250	950	680	440	140		
540	2550	2500	2440	2330	2270	2180	2100	1980	1840	1690	1480	1240	1010	750	470	
545-3	*	*	*	*	*	*	*	*	*	*	*	2530	2380	2250	2090	1800
545-4	3500	3450	3380	3280	3230	3150	3070	2980	2880	2800	2700	2590	2480	2300	2230	1950

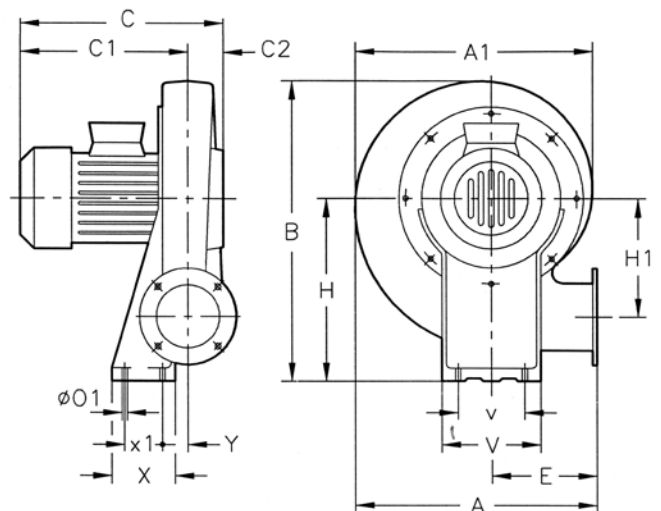
m³/h

Example:

resistance in duct system / static pressure 1800 Pa (Pascal)
 wanted air capacity e.g.. 2.000 m³/hr ----->model code 540-2T-3
Attention please: here * the fan cannot work

Dimensions [mm]:

	A	A1	B	C	H
DCMAT-324	311	302	356	264	205
DCMAT-325	335	328	399	284	235
DCMAT-426	354	344	412	295	240
DCMAT-527	371	361	440	303	260
DCMAT-528	401	395	488	352	290
DCMAT-531	440	434	537	364	320
DCMAT-540	567	580	680	400	400
DCMAT-545	651	646	776	483	450



Ask for accessories





Centrifugal single-inlet, medium-pressure fans with casing and impeller made from sheet steel.

- Impeller with forward-facing blades made from galvanised sheet steel



Lauftrad aus verzinktem Stahlblech in Industrieausführung

- Steel sheet casing
- Model CMP 38-2M casing made from cast aluminium

Motor

- Motor Iso Class F, protection IP55
- three phase norm motor 230/400V - 50Hz (up to 4 kW) and 400/690V - 50Hz (more than 4kW)
- Temperature -20°C upto + 120° C, but max. +100° C model DCMP-38

On demand

- Special windings for different voltages
- max temperatur air up to 250°C
- Category 2 G or D ATEX certification CE mark Ex II 2 G/D Eex E or D.
- Inlet and round outlet flanges, inlet protection grid
- Silencer, shaft sealing, speed control
- damper / throttle
- Flexible flanges
- speed control
- housing and wheel made from stainless steel

Technical details

Model	speed rpm	400 V A	Motor leistung kW	Luft-leistung m³/hr	Schall-pegel dB(A)	inlet-seite B	outletseite [mm]	inletschutz RPA
DCMP-38-2M	2600		0,01	200	50		53 x 67	10
DCMP-512-2T	2850	0,32	0,08	475	62	B-112	75 x 86	15
DCMP-514-2T	2800	0,7	0,18	1000	65	B-140	83 x 107	17
DCMP-616-2T	2800	0,88	0,37	1430	69	B-160	103 x 125	20
DCMP-620-2T	2800	0,88	0,37	830	68	B-200	105 x 100	25
DCMP-718-2T	2850	1,7	0,75	1400	70	B-180	115 x 146	23
DCMP-820-2T	2845	2,4	1,1	1950	73	B-200	130 x 156	25
DCMP-922-2T-1,5	2850	2,55	1,1	1650	70	B-224	140 x 215	28
DCMP-922-2T-2	2850	3,2	1,5	2050	71	B-224	140 x 215	28
DCMP-922-2T-3	2860	4,5	2,2	2900	74	B-224	140 x 215	28
DCMP-1025-2T-3	2860	4,5	2,2	2520	73	B-250/3	165 x 250	31
DCMP-1025-2T-4	2895	5,9	3	3125	77	B-250/3	165 x 250	31
DCMP-1128-2T-4	2890	5,9	3	3000	77	B-280/2	180 x 297	35
DCMP-1128-2T-5,5	2890	7,6	4	4000	81	B-280/2	180 x 297	35

Model design code:

2T = 2800 rpm / 3~ 400 Volt 50 Hz

2M = 2800 rpm / single phase 230V 50 Hz

e.g. pipe connection model code B 180 adapted for 180mm folded spiral seam pipe

Adapter from angled outlet to round tubes are available



Air volume flow [m³/h] depending on static pressure [Pa]:

DCMP	100	300	400	600	800	1000	1200	1400	1500	1600	1900	2000	2100	2200	2400
512-2T	440	300	130												
514-2T	940	770	660	240											
616-2T	1430	1170	1050	760											
620-2T	*	*	*	810	680	480	240								
718-2T	*	*	*	*	1400	380	-								
820-2T	*	*	*	*	*	1590	880	0							
922-2T-1,5	*	*	*	*	*	*	*	1480	900	400					
922-2T-2	*	*	*	*	*	*	*	1800	1400	560					
922-2T-3	*	*	*	*	*	*	*	2400	1590	500					
1025-2T-3	*	*	*	*	*	*	*	*	*	*	2120	1620	1060		
1025-2T-4	*	*	*	*	*	*	*	*	*	*	2900	2300	1500		
1128-2T-4	*	*	*	*	*	*	*	*	*	*	*	*	2880	2250	2640
1128-2T-5,5	*	*	*	*	*	*	*	*	*	*	*	*	*	2300	3730

m³/h

Example:

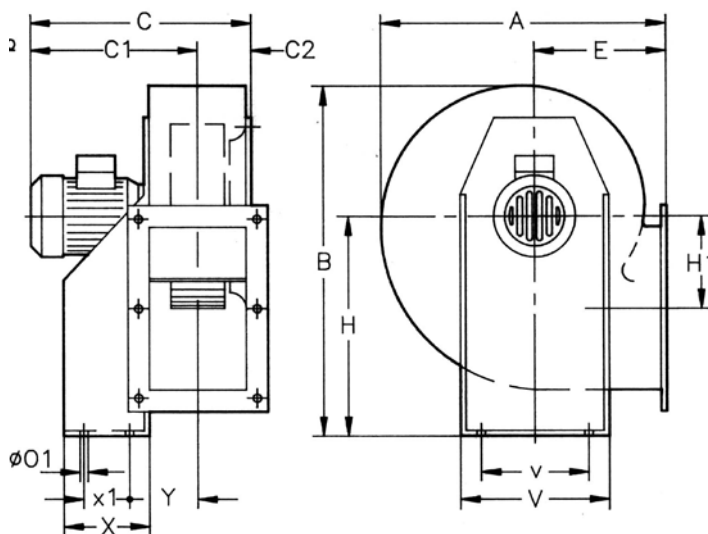
resistance in duct system / static pressure 2000 Pa (Pascal)
wanted air capacity e.g.. 2.300 m³/hr ----->model code 1025-2T-4
Attention please: here * the fan cannot work

exact performance curves you can find here: www.dasslerventilatoren.info/dcmp.pdf

Dimensions [mm]:

DCMP	A	B	B1	C	H1	H
5 12-2T	185		207	252	69	118
5 14-2T	225		254	252	91	150
6 16-2T	258		297	295	106	174
6 20-2T	298		347	296	146	203
7 18-2T	304		348	358	122	201
8 20-2T	322		377	336	137	223
9 22-2T-3	389	455		431	134	280
10 25-2T-4	427	503		486	144	310
11 28-2T-5,5	472	553		524	152	340

Ask for accessories



Modelle 5, 6, 7 and 8... ohne Konsole
Modelle 9, 10 and 11 mit Konsole lt. Skizze
Maß C ist je nach Motorstärke unterschiedlich

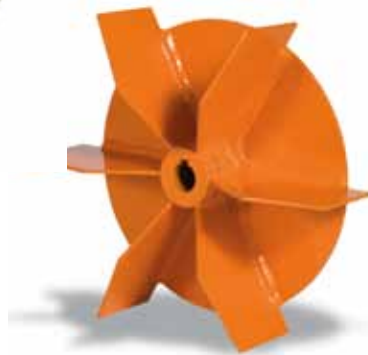




Centrifugal single-inlet fans with casing and straight-blade self cleaning impeller made from sheet steel to transport dust and solids.



- Steel sheet casing
- Sheet steel straight-blade impeller



Motor

- Motor Iso Class F, protection IP55
- three phase norm motor 230/400V - 50Hz (up to 4 kW) and 400/690V - 50Hz (more than 4kW)

- Housing with anticorrosive finish
- Max. air flow temperature: 120° C

On demand

- Special windings for different voltages
- max temperatur air up to 250°C
- Category 2 G or D ATEX certification CE mark Ex II 2 G/D Eex E or D.
- Inlet and round outlet flanges, inlet protection grid
- Silencer, shaft sealing, speed control
- damper / throttle
- Flexible flanges
- speed control
- housing and wheel made from stainless steel

Technical details

Model	rpm	400 V A	Leistung kW	Volume air flow m³/hr	soundlevel dB(A)	inlet-seite B	outlet [mm]	inletschutz RPA
DCMT-922-2T	2900	2,55	1,1	2180	71	B-180	140 x 215	23
DCMT-1025-2T	2900	3,2	1,5	2850	74	B-200	165 x 250	25
DCMT-1128-2T	2900	4,5	2,2	4500	76	B-224	180 x 296	28
DCMT-1231-2T-4	2900	5,9	3	5220	78	B-250/1	200 x 320	31
DCMT-1231-2T-5,5	2900	7,6	4	6300	79	B-250/1	200 x 320	31
DCMT-1435-2T-7,5	2930	11,2	5,5	7800	85	B-280/1	228 x 280	35
DCMT-1435-2T-10	2900	14,6	7,5	8260	87	B-280/1	228 x 280	35
DCMT-1640-2T-7,5	2950	11,2	5,5	5600	88	B-280/1	250 x 321	35
DCMT-1640-2T-10	2950	14,6	7,5	9600	90	B-280/1	250 x 321	35
DCMT-1845-2T-10	2900	14,6	7,5	5000	89	B-355/3	284 x 361	42
DCMT-1845-2T-15	2900	21	11	10500	91	B-355/3	284 x 361	42
DCMT-1845-2T-20	2900	28,2	15	13000	94	B-355/3	284 x 361	42
DCMT-2050-2T-25	2900	34	18,5	8500	98	B-400/3	315 x 451	47
DCMT-2050-2T-30	2900	40,5	22	13600	99	B-400/3	315 x 451	47

Model design code:

2T = 2800 rpm / 3~ 400 Volt 50 Hz

e.g. pipe connection model code B 180 adapted for 180mm folded spiral seam pipe

Adapter from angled outlet to round tubes are available



Air volume flow [m³/h] depending on static pressure [Pa]:

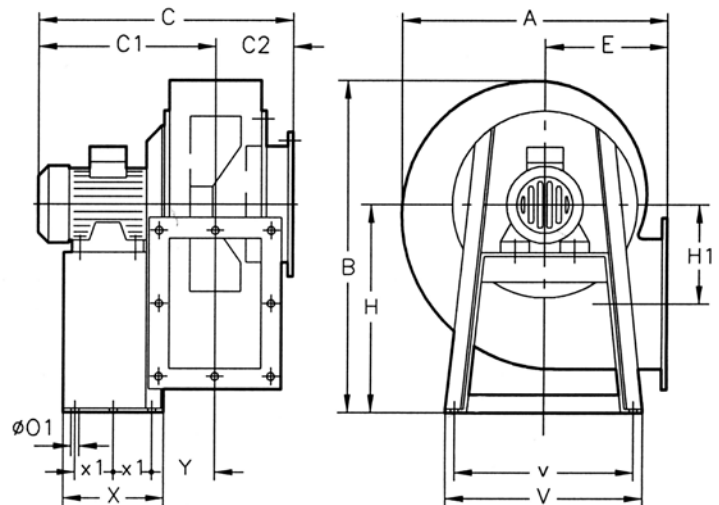
DCMT	100	300	500	800	1000	1200	1400	1600	1800	2000	2200	2400	2600	2800	3000	3200	3400	3800	4000	
922-2T	2000	1800	1500	780																
1025-2T	2700	2400	2100	1600	1000	270														
1128-2T	4300	4050	3700	2780	2200	1700	1266	970												
1231-2T-4	*	*	5100	4380	3900	3330	2740	2200	1670	0										
1231-2T-5,5	6100	5840	5400	4380	3900	3330	2740	2200	1670	0										
1435-2T-7,5	*	*	*	7700	7180	6580	5800	5100	4420	3870	3300	2700	1800							
1435-2T-10	*	8140	8000	7750	7560	6670	5350	4800	4400	3870	3300	2700	1800							
1640-2T-7,5	*	*	*	*	*	*	*	*	*	*	5090	4600	4100	3450	2500					
1640-2T-10	*	*	*	9200	8770	8330	7890	7400	6850	6360	5800	5200	4600	3960	2970					
1845-2T-10	*	*	*	*	*	*	*	*	*	*	*	*	*	*	*	4900	4300	2600	1160	
1845-2T-15	*	*	*	*	*	*	*	*	*	*	10400	9840	9280	8490	7750	6620	5570	3080	1400	
1845-2T-20	*	*	*	*	*	*	*	12500	12000	11500	10800	9840	9280	8490	7750	6620	5570	3080	1400	
2050-2T-25	*	*	*	*	*	*	*	*	*	*	*	*	*	*	*	*	*	*	*	S.U.
2050-2T-30	*	*	*	*	*	*	*	*	*	*	*	*	*	*	*	*	*	*	*	S.U.

Example:

resistance in duct system / static pressure 2200 Pa (Pascal)
 wanted air capacity e.g.. 10.400 m³/hr -> model code 1845-20 (not15)
Attention please: here * the fan cannot work
 s.u.--> see: www.dasslerventilatoren.info/dcmt.pdf

Dimensions [mm]:

DCMT	A	B	C	H1	H
922-2T	388	455	416	134	280
1025-2T	427	503	490	144	310
1128-2T	472	553	505	144	340
1231-2T	526	630	578	180	390
1435-2T	574	715	649	242	445
1640-2T	634	799	673	271	495
1845-2T	711	901	817	305	560
2050-2T	797	987	979	3313	610



Ask for accessories





Centrifugal single-inlet, high-pressure fans with casing and impeller made from cast aluminium



Fan

- single inlet
- small air capacity, very high pressure
- Housing with anticorrosive finish
- Max. air flow temperature: 120° C

Motor

- Motor Iso Class F, protection IP55
- three phase norm motor 230/400V - 50Hz (up to 4 kW) and 400/690V - 50Hz (more than 4kW)

On demand

- Special windings for different voltages
- max temperatur air up to 250°C
- Category 2 G or D ATEX certification CE mark Ex II 2 G/D Eex E or D.
- Inlet and outlet flanges, inlet protection grid
- Silencer, shaft sealing, speed control
- damper / throttle
- Flexible flanges



schwere Guss-Konstruktion
sorgt für optimale Geräusch- and
Schwingungsabsorption

Technical details

Model	speed rpm	400 V A	Leistung kW	Volume air flow m³/hr	soundlevel dB(A)	inlet-seite B	outlet seite B	inletschutz RPA
DCA-234-2T-0,5	2870	0,88	0,37	280	72	B-100	B-52-E	13
DCA-142-2T-0,33	2735	0,67	0,25	460	73	B-100-E	B-63	15
DCA-142-2T-0,50	2810	0,88	0,37	660	73	B-100-E	B-63	15
DCA-148-2T-0,75	2830	1,2	0,55	420	74	B-112	B-80-E	17
DCA-148-2T-1	2840	1,7	0,75	500	75	B-112	B-80-E	17
DCA-148-2T-1,5	2850	2,5	1,1	990	76	B-112	B-80-E	17
DCA-154-2T-1,5	2830	2,5	1,1	600	78	B-125	B-80-E	18
DCA-154-2T-2	2860	3,2	1,5	800	79	B-125	B-80-E	18
DCA-154-2T-3	2875	4,5	2,2	1280	80	B-125	B-80-E	18
DCA-160-2T-2	2850	3,2	1,5	500	83	B-150	B-80-E	23
DCA-160-2T-3	2860	4,5	2,2	900	84	B-150	B-80-E	23
DCA-166-2T-3	2870	4,5	2,2	500	84	B-150	B-80-E	23
DCA-166-2T-4	2870	5,9	3	950	85	B-180	B-80-E	23
DCA-166-2T-5,5	2860	8,3	4	1600	86	B-180	B-80-E	23
DCA-172-2T-5,5	2880	7,6	4	1100	87	B-180	B-100-E	23
DCA-172-2T-7,5	2880	11,1	5,5	1710	88	B-180	B-100-E	23
DCA-172-2T-10	2930	14,6	7,5	2300	89	B-180	B-100-E	23

Model design code:

2T = 2800 rpm / 3~ 400 Volt 50 Hz

e.g. pipe connection model code B 180 adapted for 180mm folded spiral seam pipe



Air volume flow [m³/h] depending on static pressure [Pa]:

Model	0	500	1000	1500	2000	2500	3000	3400	4000	4500	5000	5500	6000
DCA-234-2T-0,5	280	210	140	94	40								
DCA-142-2T-0,33	*	*	*	460	400	330	220	100					
DCA-142-2T-0,50	660	600	560	510	460	390	280	130					
DCA-148-2T-1,5	*	*	930	880	830	780	700	640	500	350			
DCA-154-2T-2	*	*	*	*	*	*	*	755	680	610	530	340	
DCA-154-2T-3	1280	1200	1130	1070	1020	960	910	880	790	715	615	420	240

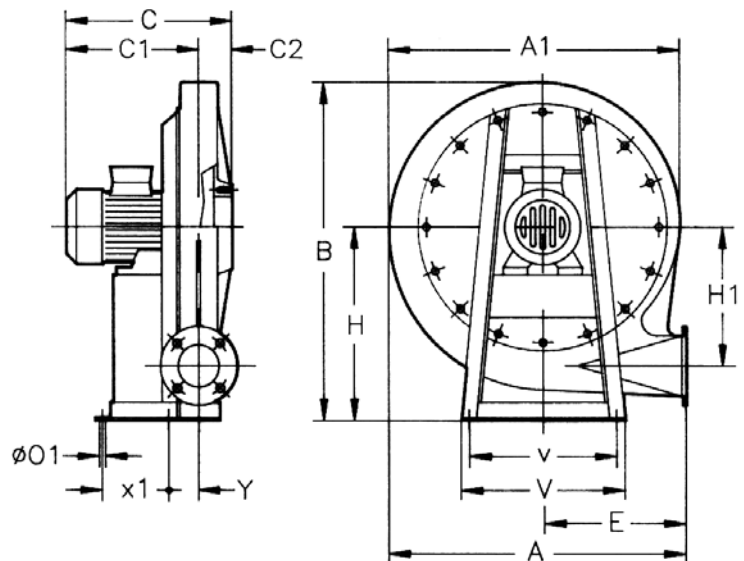
Model	1500	2500	3000	4000	5000	5500	6000	6500	7000	7500	8000	8500	9000	9500	10000	10500	11000
DCA-160-2T-3	*	*	*	*	*	870	770	680	540								
DCA-166-2T-4	*	*	*	*	*	*	*	*	880	812	730	590	240				
DCA-166-2T-5,5	*	1540	1490	1380	1260	1200	1140	1080	1000	930	830	690					
DCA-172-2T-5,5	*	*	*	*	*	*	*	*	*	*	*	*	*	1050	940	760	420
DCA-172-2T-7,5	*	*	*	*	*	*	1690	1600	1500	1470	1380	1300	1200	1110	970	830	560
DCA-172-2T-10	2200	2100	2100	1970	1850	1790	1730	1670	1600	1550	1480	1400	1330	1200	1000	750	

Example:

resistance in duct system / static pressure 4000 Pa (Pascal)
 wanted air capacity e.g.. 680 m³/hr ----->model code DCA 154 2T 2
Attention please: here * the fan cannot work

Dimensions [mm]:

DCA	A	B	A1	C	H	H1
234	376	415	381	272	225	187
142	494	540	488	290	301	235
148	563	639	558	324	360	269
154	630	708	625	396	395	308
160	708	785	699	406	440	338
166	759	866	752	445	490	372
172	818	923	813	492	516	404



Ask for accessories





Centrifugal single-inlet, high-pressure fans with sheet steel casing and cast aluminium impeller



Ventilator

- Steel sheet casing
- Cast aluminium impeller, models 752 and 880 in sheet steel
- Housing with anticorrosive finish
- Max. air flow temperature: 120° C

Motor

- Motor Iso Class F, protection IP55
- three phase norm motor 230/400V - 50Hz (up to 4 kW) and 400/690V - 50Hz (more than 4kW)

On demand

- Special windings for different voltages
- max temperatur air up to 250°C
- Category 2 G or D ATEX certification CE mark Ex II 2 G/D Eex E or D.
- Inlet and round outlet flanges, inlet protection grid
- Silencer, shaft sealing, speed control
- damper / throttle
- Flexible flanges
- speed control
- housing and wheel made from stainless steel



Turbine aus Aluminiumguss

Technical details

Model	speed rpm	Motor-leistung kW	Volume air flow m³/hr	soundlevel dB(A)	inlet mm	outlet mm	Schutzgitter Model DRPA
DCAM-540-2T	2890	1,5	2600	85	B-180	120x140	23
DCAM-545-2T-3	2840	2,2	2630	86	B-180	135x170	23
DCAM-545-2T-4	2880	3	3550	88	B-180	135x170	23
DCAM-550-2T-5,5	2895	4	3500	90	B-224	150x200	28
DCAM-550-2T-7,5	2925	5,5	4750	91	B-224	150x200	28
DCAM-752-2T-7,5	2920	5,5	5500	93	B-224	160x200	28
DCAM-752-2T-10	2910	7,5	6500	94	B-224	160x200	28
DCAM-760-2T-10	2930	7,5	3400	95	B-250/2	180x220	31
DCAM-760-2T-15	2940	11	5700	97	B-250/2	180x220	31
DCAM-760-2T-15/E	2950	11	6800	98	B-250/2	180x220	31
DCAM-880-2T-40	2950	30	10000	99	B-315/2	190x290	38

Model design code:

2T = 2800 rpm / 3~ 400 Volt 50 Hz

e.g. pipe connection model code B 180 adapted for 180mm folded spiral seam pipe

Adapter from angled outlet to round tubes are available



Air volume flow [m³/h] depending on static pressure [Pa]:

Model DAMC	500	1000	1500	2000	2500	3000	3500	4000	4500	5000	5500	6000	6500	7000	7500	8000	9000	10000
540	2330	2100	1930	1660	1270	500												
545-3	*	*	*	*	2360	2080	1500	0										
545-4	3380	3200	3000	2800	2570	2190	1700	950										
550-5,5	*	*	*	*	3360	2890	2280	1443										
550-7,5	4650	4470	4200	3950	3520	3080	2590	1830										
752-7,5	*	*	*	*	*	*	4990	4600	4150	3580	2600	1300						
752-10	*	*	*	*	*	6420	5840	5260	4600	3840	3100	1980						
760-10	*	*	*	*	*	*	*	*	*	*	*	*	3300	2700	1100			
760-15	*	*	*	*	*	*	*	*	*	*	*	5410	4400	3300	2200			
760-15E	*	*	*	*	*	*	6700	6200	5580	5000	4160							

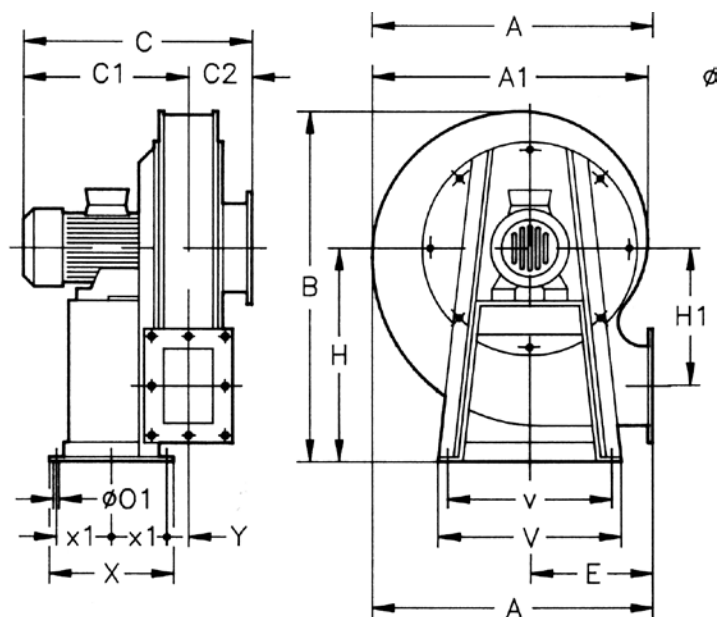
Example:

resistance in duct system / static pressure 2000 Pa (Pascal)
wanted air capacity e.g.. 2.300 m³/hr ----->model code 1025-2T-4

Attention please: here * the fan cannot work

Dimensions [mm]:

DCAM	A	A1	B	C	H
540	565	556	678	424	400
545	650	636	768	496	450
550	719	715	868	583	510
752	713	713	856	624	510
760	837	833	975	715	570
880	946	941	1046	905	710



Maß C ist je nach Motorstärke unterschiedlich

Ask for accessories





single inlet, sheet stel frame



stabile Motorhalterung

- Cast aluminium impellers (242,248,254,260,640,645,650) and rolled sheet steel (remaining models) with high performance backward impeller.
- Aerodynamically tested to achieve maximum output with minimum sound level.

Motor

- Motor Iso Class F, protection IP55
- three phase norm motor
230/400V - 50Hz (up to 4 kW) and
400/690V - 50Hz (more than 4kW)
- Housing with anticorrosive finish
- Max. air flow temperature: 120° C

On demand

- Special windings for different voltages
- max temperatur air up to 250°C
- Category 2 G or D ATEX certification CE mark Ex II 2 G/D Eex E or D.
- Inlet and round outlet flanges, inlet protection grid
- Silencer, shaft sealing, speed control
- damper / throttle
- Flexible flanges
- housing and wheel made from stainless steel

Technical details

Model	speed	Luft-leistung m³/hr	Stromstärke			Motor kW	Schall-pegel dB(A)	inlet-durchmesser mm
	rpm		230V A	400V A	690V A			
DCAS-242-033	2830	450	1,39	8		0,25	73	B-100-E
DCAS-242-05	2740	650	1,73	1		0,37	73	B-100-E
DCAS-248-075	2800	420	2,36	1,36		0,55	74	B-112
DCAS-248-1	2855	500	3	1,73		0,75	75	B-112
DCAS-248-1,5	2845	990	4,16	2,4		1,1	76	B-112
DCAS-254-1,5	2845	600	4,16	2,4		1,1	78	B-125
DCAS-254-2	2860	800	5,63	3,25		1,5	79	B-125
DCAS-254-3	2880	1300	7,97	4,6		2,2	80	B-125
DCAS-260-2	2860	500	5,63	3,25		1,5	83	B-150
DCAS-260-3	2880	900	7,97	4,6		2,2	84	B-150
DCAS-463-5,5	2900	1150	13,34	7,7		4	82	B-200
DCAS-463-7,5	2855	2000		10,5	6,1	5,5	83	B-200
DCAS-467-10	2855	2600		13,9	8	7,5	85	B-224
DCAS-467-7,5	2855	1550		10,5	6,1	5,5	84	B-224
DCAS-571-10	2855	2000		13,9	11,5	7,5	86	B-250/1
DCAS-571-15	2930	3450		20		11	87	B-250/1
DCAS-640-2	2860	2600	5,63	3,25		1,5	81	B-250/1
DCAS-645-3	2880	2000	7,97	4,6		2,2	82	B-250/1
DCAS-645-4	2895	3000	10,57	6,1		3	83	B-250/1
DCAS-650-5,5	2900	3500	13,34	7,7		4	84	B-250/1
DCAS-650-7,5	2855	4750		10,5	6,1	5,5	85	B-250/1
DCAS-852-7,5	2855	3500		10,5	6,1	5,5	81	B-280/1
DCAS-852-10	2855	5500		13,9	8	7,5	87	B-280/1
DCAS-856-15	2930	7500		20	11,5	11	85	B-355/3
DCAS-863-15	2930	4000		20	15,3	11	85	B-355/2
DCAS-863-20	2920	7000		26,5	18,5	15	86	B-355/2
DCAS-971-25	2920	5800		32	18,5	18,5	90	B-400/3
DCAS-971-30	2930	8100		39	22,5	22	91	B-400/3
DCAS-971-40	2955	12000		53	30,6	30	92	B-400/3
DCAS-1250-15	2930	12000		20	11,5	11	84	B-355/4
DCAS-1456-25	2920	18000		32	18,5	18,5	87	B-400/4
DCAS-1663-50	2950	25000		64	37	37	92	B-560/3
DCAS-680-12,5	2825	1320		16,6	9,6	9,2	86	B160/1
DCAS-790-20	2920	2100		26,5	15,3	15	88	B-180
DCAS-980-30	2930	4800		39	22,5	22	87	B-250/5
DCAS-1080-40	2955	5400		53	30,6	30	88	B-250/5
DCAS-990-50	2950	6000		64	37	37	90	B-280/3
DCAS-1090-60	2960	6000		79	45,6	45	91	B-280/3



Air volume flow [m³/h] depending on static pressure [Pa]:

Model	500	1000	1500	2000	2500	3000	3500	3800	4500	5000	5300	6000	6200	7000	7400
DCAS-242-033	*	*	400	320	200										
DCAS-242-05	*	*	540	415	260										
DCAS-248-075	*	*	*	*	50 bis 350 m³/hr - um 3500 Pa										
DCAS-248-1	*	*	*	*	50 bis 450 m³/hr - um 3800 Pa										
DCAS-248-1,5	*	990	900	800	720	600	470	300							
DCAS-254-1,5	*	*	*	*	*	*	*	*	100 bis 500 m³/hr - um 5000 Pa						
DCAS-254-2	*	*	*	*	*	*	*	*	640	380	100				
DCAS-254-3	*	*	1280	1200	1100	1060	960	900	700	440	100				
DCAS-260-2	*	*	*	*	*	*	*	*	*	100 bis 400 m³/hr - um 6000 Pa					
DCAS-260-3	*	*	*	*	*	*	*	*	*	870	780	400	240		
DCAS-640-2	*	*	2250	1600	780										
DCAS-645-3	*	*	*	*	*	1660	700								
DCAS-645-4	*	*	*	2890	2350	1800	400								
DCAS-650-5,5	*	*	*	*	*	400 m³/hr bis 3000 m³/hr um 4000 Pa									
DCAS-650-7,5	*	*	4500	4300	4000	3680	3200	2900	1550						
DCAS-852-7,5	*	*	*	*	*	400 m³/hr bis 3000 m³/hr um 4000 Pa									
DCAS-852-10	*	*	*	*	*	4900	4600	3900	3200	2500					
DCAS-856-15	*	7300	6900	6500	6100	5800	5300	5100	4500	3900	3500	1800			
DCAS-863-15	*	*	*	*	*	*	*	*	*	500 m³/hr bis 6000 m³/hr um 7000 Pa					
DCAS-863-20	*	*	*	*	*	*	*	*	*	6200	5300	4000	3000		
DCAS-1250-15	*	*	*	10700	9300	7880	6000	4100							
DCAS-1456-25	*	*	*		16000	14100	12000	10700	7000						
DCAS-1663-50	*	*	*	*	*	*	*	23000	18300	13500	9000				

DCAS	2000	3000	4000	5000	6000	7000	7500	8000	8500	9000	9500	10000	11000	12000	13000	14000	15000
463-5,5	*	*	*	100 bis 1000 m³/hr - um 7200 Pa													
463-7,5	*	*	1880	1680	1450	1120	650										
467-10	*	*	2490	2300	2000	1780	1580	1370	1080								
467-7,5	*	*	*	*	*	200 bis 1400 m³/hr - um 8200 Pa											
571-10	*	*	*	*	*	200 bis 1800 m³/hr - um 9200 Pa											
571-15	3380	3200	3100	2900	2680	2400	2200	2000	1800	1600	1300						
971-25	*	*	*	*	700 m³/hr bis 5000 m³/hr um 7800 Pa												
971-30	*	*	*	*	*	7200	6400	5400	4300	2100							
971-40	*	*	*	*	10800	9100	8100	7100	6100	4860	2900						
680-12,5	*	*	*	*	*	*	*	*	*	500m³/hr bis 1200 m³/hr um 11.000Pa							
790-20	*	*	*	*	*	*	*	*	*	*	*	1900	1700	1400	870		
980-30	*	*	*	*	*	*	*	*	*	4300	3900	2200					
1080-40	*	*	*	*	*	*	*	*	*	*	*	5200	4500	3200			
990-50	*	*	*	*	*	*	*	*	*	*	*	2400 m³/hr bis 5800 m³/hr um 14.000 Pa					
1090-60	*	*	*	*	*	*	*	*	*	*	*	2800 bis 5800 m³/hr um 15000 Pa					

Example:

resistance in duct system / static pressure 8000 Pa (Pascal)
wanted air capacity e.g.. 6.400 m³/hr ----->model code 971-30

Attention please: here * the fan cannot work

exact performance curves you can find here: www.dasslerventilatoren.info/dcas.pdf

Dimensions [mm]:

DCAS	width A	height B	depth C	outlet K x L (mm)
242-05	576	662	310	60x95
248-1,5	639	728	340	66x105
254-3	699	788	443	75x115
260-3	782	875	419	85x125
463-7,5	782	875	517	85x125
467-7,5	833	945	530	90x130
571-15	873	995	671	95x145
640-2	639	728	446	125x200
645-4	699	788	491	140x224
650-7,5	782	875	572	160x250
852-10	833	945	603	180x280
856-15	833	945	708	108x280

DCAS	width A	height B	depth C	outlet K x L (mm)
863-20	873	995	728	200x315
971-40	1012	1170	948	224x355
1250-15	850	1040	865	280x400
1456-25	955	1170	900	315x450
1663-50	1010	1190	1035	355x500
680-12,5	925	995	550	71x100
790-20	1100	1180	650	80x112
980-30	1120	1250	725	140x200
1080-40	1120	1250	850	140x200
990-50	1250	1400	900	160x224
1090-60	1250	1400	930	160x224

diagramm see on next page





Centrifugal single-inlet, high-pressure fans with casing and straight-blade impeller made from sheet steel to transport dust and solids.



- Steel sheet casing
- Sheet steel straight-blade impeller
- Housing with anticorrosive finish
- Max. air flow temperature: 120° C

On demand

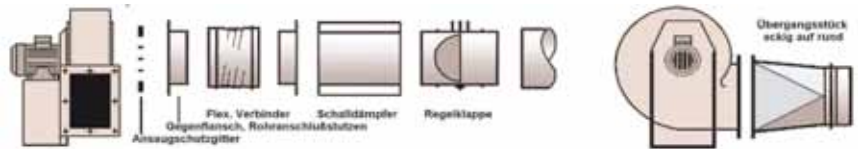
- Special windings for different voltages
- max temperatur air up to 250°C
- Category 2 G or D ATEX certification
CE mark Ex II 2 G/D Eex E or D.
- Inlet and round outlet flanges, inlet protection grid
- Silencer, shaft sealing, speed control
- damper / throttle
- Flexible flanges
- housing and wheel made from stainless steel

Motor

- Motor Iso Class F, protection IP55
- three phase norm motor
230/400V - 50Hz (up to 4 kW) and
400/690V - 50Hz (more than 4kW)



stabile Motorhalterung



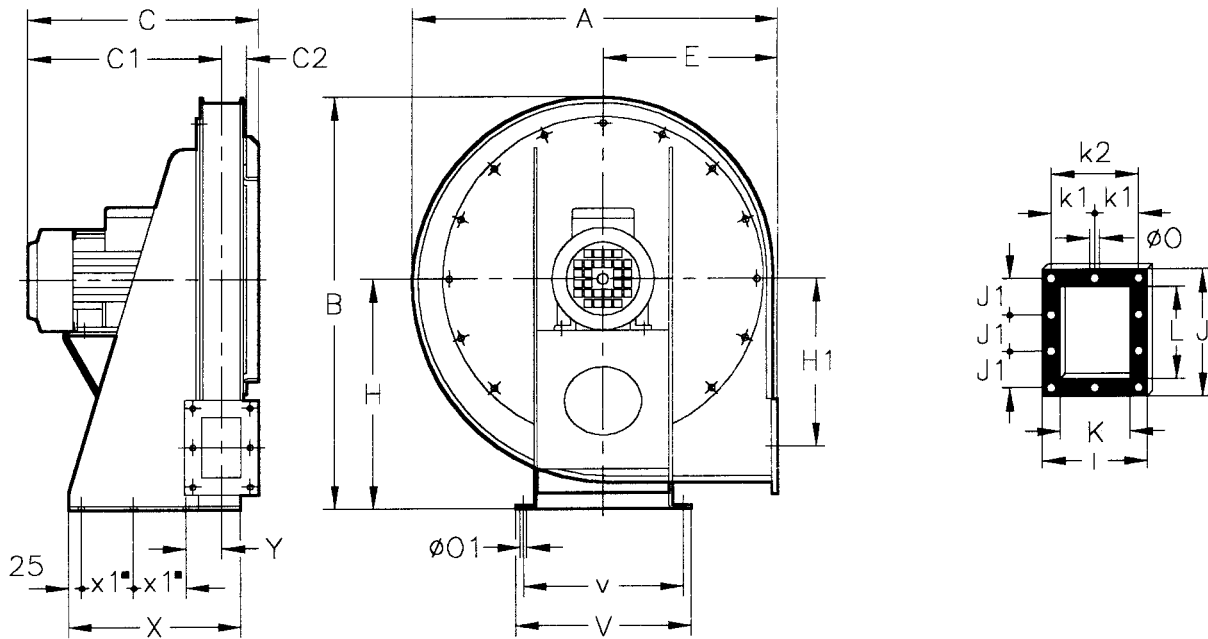
Technical details

Model	speed rpm	230V A	400V A	690V A	Motor kW	volume air flow max. m³/hr	soundlevel dB(A)	stat. Druck Pa
DCAST-242-2T-0,5	2740	1,92	1,11		0,37	350	70	1400-2400
DCAST-248-2T-1	2855	3	1,73		0,75	200	73	3100-3500
DCAST-248-2T-1,5	2845	4,16	2,4		1,1	600	76	2200-3400
DCAST-254-2T-1,5	2845	4,16	2,4		1,1	400	75	3700-4300
DCAST-254-2T-2	2860	5,63	3,25		1,5	600	77	3400-4300
DCAST-254-2T-3	2880	7,97	4,6		2,2	800	79	3100-4300
DCAST-260-2T-2	2860	5,63	3,25		1,5	400	81	4900-5400
DCAST-260-2T-3	2880	7,97	4,6		2,2	550	83	4800-5400
DCAST-463-2T-5,5	2900	13,34	7,7		4	700	82	6400-7200
DCAST-463-2T-7,5	2855		10,5	6,1	5,5	1460	83	5800-7100
DCAST-467-2T-7,5	2855		10,5	6,1	5,5	1050	84	7100-8100
DCAST-467-2T-10	2855		13,9	8	7,5	1840	85	6100-8000
DCAST-571-2T-10	2855		13,9	8	7,5	1250	86	7900-9000
DCAST-571-2T-15	2930		20	11,5	11	2700	87	5300-8800
DCAST-640-2T-2	2860	5,63	3,25		1,5	1260	81	2200-2600
DCAST-645-2T-3	2880	7,97	4,6		2,2	1400	82	2500-3000
DCAST-645-2T-4	2895	10,57	6,1		3	2420	83	1900-3000
DCAST-650-2T-5,5	2900	13,34	7,7		4	1700	84	3700-4300
DCAST-650-2T-7,5	2855		10,5	6,1	5,5	3060	85	3100-4300
DCAST-852-2T-7,5	2855		10,5	6,1	5,5	1800	87	5000-5200
DCAST-852-2T-10	2855		13,9	8	7,5	3100	88	4800-5200
DCAST-856-2T-15	2930		20	11,5	11	4800	85	5500-6300
DCAST-863-2T-15	2930		20	11,5	11	2850	85	6800-7300
DCAST-863-2T-20	2920		26,5	15,3	15	4500	86	6600-7300
DCAST-971-2T-25	2920		32	18,5	18,5	2800	90	9300-9600
DCAST-971-2T-30	2930		39	22,5	22	4000	91	9200-9600
DCAST-971-2T-40	2955		53	30,6	30	7000	92	8700-9600
DCAST-1250-2T-20	2920		26,5	15,3	15	8400	97	3700-4300
DCAST-1456-2T-30	2930		39	22,5	22	10800	88	4200-4800

Adapter from angled outlet to round tubes are available



Dimensions [mm]: (Model DCAS and Model DCAST)



DCAS and DCAST	A	B	C	inlet mm	outlet* K x L mm
242	576	662	310	B 100 E	60x95
248	639	728	340	B 112	66x105
254	699	788	365	B 125	75x115
260	782	875	419	B 150	85x125
463	782	875	459	B 200	85x125
467	833	945	530	B 224	90x130
571	873	995	671	B 250 1	95x145
640	639	728	446	B 250 1	125x200
645	699	788	491	B 250 1	140x224
650	782	875	572	B 250 1	160x250
852	833	945	603	B 280 1	180x280
856	833	945	708	B 355 3	180x280
863	873	995	728	B 355 1	200x315
971	1012	1170	948	B 400 3	224x355
1250	850	1040	790	B 355 4	224x315
1456	955	1165	806	B 400 4	250x355
1663	955	1170	881	B 560 3	250x355

z.B. Flange Model B 250 → adapted for tube of 250 mm diameter

*Adapter for round tubes are available





Centrifugal single-inlet, medium-pressure fans with casing and impeller made from sheet steel.



- up to 16.500 m³/hr and max. 1700 Pa
- Housing with anticorrosive finish
- Max. airflow temperature:
- S1 Service -20°C + 300°C for ongoing use,
- S2 Service 400°C/2hr
- 400°C/2h centrifugal single-inlet fans to work outside fire danger zones.

Motor

- Motor Iso Class F, protection IP55
- three phase norm motor 230/400V - 50Hz (up to 4 kW) and 400/690V - 50Hz (more than 4kW)

on demand

- belt driven
- 200°C/1hr



Technical details

Model code	speed rpm	400 Volt A	kW	Volume air flow m ³ /hr	soundlevel dB(A)	weight
DTCMP-820-4T	1350	0,76	0,25	2100	65	13
DTCMP-922-4T	1395	1,45	0,55	2750	66	23
DTCMP-1025-4T-1,5	1410	2,65	1,1	3400	70	33
DTCMP-1025-4T-2	1420	3,45	1,5	3900	72	36,5
DTCMP-1128-4T-3	1420	4,9	2,2	5000	74	43
DTCMP-1128-4T-4	1420	6,4	3	5500	75	45
DTCMP-1128-6T	915	2,1	0,75	3600	60	37
DTCMP-1231-4T-3	1420	4,9	2,2	4900	73	49,5
DTCMP-1231-4T-4	1420	6,4	3	5750	75	51,5
DTCMP-1231-4T-5	1440	8,3	4	6800	77	56,5
DTCMP-1231-6T	925	3,9	1,5	4500	64	51
DTCMP-1453-4T-4	1420	6,4	3	5700	76	62
DTCMP-1453-4T-5,5	1440	8,3	4	7200	78	82
DTCMP-1435-4T-7,5	1455	11,4	5,5	8300	80	87
DTCMP-1435-4T-10	1455	15,1	7,5	10700	82	98
DTCMP-1435-6T	940	5,2	2,2	7000	68	62
DTCMP-1640-4T-5,5	1440	8,3	4	6750	77	75
DTCMP-1640-4T-7,5	1455	11,4	5,5	9000	80	96
DTCMP-1640-4T-10	1455	15,1	7,5	10400	82	112
DTCMP-1640-6T	940	5,2	2,2	7000	71	73
DTCMP-1845-4T-7,5	1455	11,4	5,5	8000	82	134
DTCMP-1845-4T-10	1455	15,1	7,5	11000	85	149
DTCMP-1845-6T	940	5,2	2,2	9000	77	114
DTCMP-2050-4T-10	1455	15,1	7,5	9000	83	171
DTCMP-2050-4T-12,5	1400	17,8	9,2	11500	85	180
DTCMP-2050-4T-15	1460	21,4	11	14000	87	197
DTCMP-2050-4T-20	1460	28,5	15	16500	89	215
DTCMP-2050-6T	950	9,4	4	11000	79	162

Adapter from angled outlet to round tubes are available



<http://dasslerventilatoren.info/DTCMP.pdf>

technische Änderungen vorbehalten



- Gefertigt aus Stahl, mit oder ohne Kuhlscheibe. Ruckwartsgekrummtes Hochleistungslaufrad mit hitzebestandigem Anstrich.
- Auf Wunsch: Riemenantrieb mit Gusstraggerhause, Riemenantrieb (Keilriemen, Keilriemenscheiben, etc.) komplett mit Beruhungsschutz gema EG-Maschinenrichtlinien.

Motor

- Normmotoren IEC 34-1 (UNE 201113) VDE 0530, Spannung 230/400 V, 50 Hz, Schutzart IP-55, ISO-Klasse F

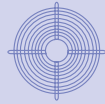
Gehause

- Epoxidharzbeschichtung, ofengehartet and mit Zinkphosphat behandelt

on demand

- Ausfuhrung aus hitzebestandigem Eisen fur Rauchgase bis 400° C oder in massiver Ausfuhrung mit Keilriemenantrieb





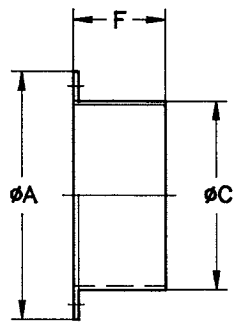
DRPA
inlet
protection grid



DACE
flexible flange



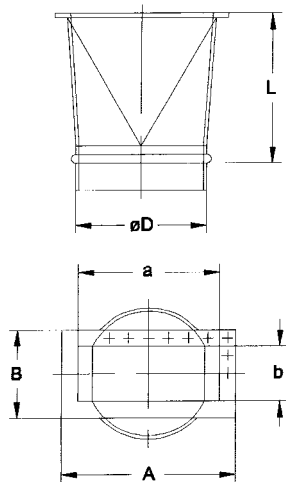
Flange B



Silencer



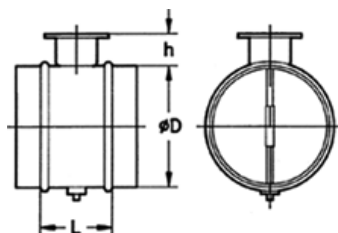
DBIC
Apapter



Airbox with insulation



DREG
throttle, damper



without picture:

- speedcontrol** (frequence converter)
- Motorprotection switch**
- Motorstarter**



Adapter from angled outlet to round tubes:

	D [mm]	L [mm]
DBIC-1428	250	300
DBIC-1733	280	300
DBIC-2240	355	450
DBIC-242	100	200
DBIC-248	112	200
DBIC-254	125	200
DBIC-260	150	200
DBIC-463	200	200
DBIC-467	224	250
DBIC-571	250	250
DBIC-640	250	250
DBIC-645	250	250
DBIC-650	250	250
DBIC-680	180	250
DBIC-790	180	250
DBIC-852	280	250
DBIC-856	355	280
DBIC-863	355	280
DBIC-971	400	280
DBIC-980	250	300
DBIC-990	280	300
DBIC-1080	250	300
DBIC-1090	280	300
DBIC-1250	400	450
DBIC-1456	450	450
DBIC-1663	500	450
DBIC-540	180	300
DBIC-545	180	300
DBIC-550	224	300
DBIC-752	224	300
DBIC-760	250	300
DBIC-880	315	300
DBIC-512	112	300
DBIC-514	140	300
DBIC-616	160	300
DBIC-620	200	300
DBIC-718	180	300
DBIC-820	200	300
DBIC-835	200	200
DBIC-840	200	200
DBIC-922	224	300
DBIC-1025	250	300
DBIC-1128	280	300
DBIC-1231	315	300
DBIC-1435	355	300
DBIC-1640	400	300
DBIC-1845	450	450
DBIC-2050	500	450
DBIC-2563	630	450
DBIC-922-T	180	300
DBIC-1025-T	200	300
DBIC-1128-T	224	300
DBIC-1231-T	250	300
DBIC-1435-T	280	300
DBIC-1640-T	280	300
DBIC-1845-T	355	450
DBIC-2050-T	400	450
DBIC-1031	315	300
DBIC-1135	355	450
DBIC-1240	400	450
DBIC-1445	450	450
DBIC-1650	500	450
DBIC-1856	560	450
DBIC-2063	630	450
DBIC-2271	710	450
DBIC-2380	800	600
DBIC-628	150	200
DBIC-630	150	200
DBIC-2590	900	600
DBIC-28100	1000	600

Flanges

	C [mm]	A [mm]	F [mm]
B-52-E	52	100	67
B-63	63	110	60
B-80	80	150	60
B-100	100	150	60
B-100-E	100	170	60
B-112	112	160	60
B-125	125	180	60
B-140	140	190	60
B-150	150	210	60
B-160	160	220	60
B-180	180	240	60
B-200	200	260	60
B-224	224	280	60
B-250/1	250	310	80
B-280/1	280	350	80
B-280/3	280	350	80
B-315/1	315	318	80
B-355/1	355	318	80
B-355/2	355	430	80
B-400/1	400	480	80
B-450/1	450	530	80
B-500/1	500	590	80
B-560/1	560	650	80
B-630/1	630	720	80
B-630/3	630	720	80
B-710/1	710	800	80
B-800	800	890	100
B-900/1	900	1000	100
B-1000	1000	1100	100

Throttle, damper

	D [mm]	L [mm]	H [mm]
DREG-80	80	100	50
DREG-100	100	100	50
DREG-112	112	100	50
DREG-125	125	100	50
DREG-140	140	100	50
DREG-150	150	100	50
DREG-160	160	100	50
DREG-180	180	100	50
DREG-200	200	100	50
DREG-224	224	100	50
DREG-250	250	100	50
DREG-280	280	100	50
DREG-315	315	100	50
DREG-355	355	100	50
DREG-400	400	100	50
DREG-450	450	150	50
DREG-500	500	150	50
DREG-560	560	150	50
DREG-630	630	250	50
DREG-800	800	250	50



Mobile Ventilators and Fans

für frische Luft am Arbeitsplatz, Bautrocknung
and viele andere Profianwendungen

VORTEX

Kraftvolle 2800 rpm für Schlauchanschluss bis 30m



tragbarer Rohrventilator
aus schlagfestem Kunststoff
mit Schalter, Kabel and Stecker
kräftige 2800 m³/hr max. 550 Pa
230 Volt - 50 Hz - 0,75 kW
H x B x T: 490x480x400 mm -15 kg
auf Wunsch mit Staubabscheider
z.B. für Abbrucharbeiten



NEU: VORTEX 7000

kraftvolle 7.000 m³/h
max. 600 Pa
2800 U/min
230 Volt 50 Hz
H x B x T: 559/533/406 mm

SAHARA

Turbogebläse mit Schlauchverteiler



mit Schalter and Kabel,
wahlweise mit Schlauchverteiler
1.Stufe: 1320 m³/hr
2.Stufe: 2260 m³/hr
max. 380 Pa Pressung
230 Volt - 50 Hz - 0,56 kW - 3,7A
H x B x T: 500x440x500 mm – 16 kg
auf Wunsch: Schläuche 3 x 100mm

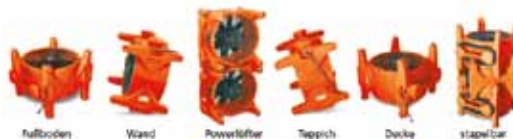


Das Ass

Flächenlüfter ACE



Ventilator aus schlagfestem Kunststoff
2-stufig mit Schalter,
Kabel mit Schuko-Stecker
volume air flow: 2930/3880 m³/h
230 Volt 190 Watt 1400 rpm
max. 250 Pa
HxBxT mm: 610 x 510 x 480 - nur 15 kg



Fullboden

Wand

Powerlüfter

Teppich

Decke

Stapelbar

Hot-air heater DE 20 S



6 - 12 - 18 kW heating capacity
1.050 m³/hr volume air flow
400 V – 26 A
L x B x H: 550 mm x 310 mm x 475 mm

Option:
with hose
max capacity up to 28 kW



mobil oilheating system for drying, heating, ventilation



K170 and 220 combine the advantages of a heating container with those of a mobile heating system - and offer even more: A modern ventilator concept ensures for abundant static compression and at the same time, near-silent operation. The ventilator does away with the need for a V-belt and is therefore maintenance-free. The drop burner concept ensures improved heat transfer and enables a more compact device construction. This saves oil and transport costs. Operation and handling is child's play and very flexible. The complete burner and switching technology is easily accessible, protected and lockable. All level indicators are visible at a glance. Intake and blower supports are universally exchangeable and enable fresh or recycled air operation.

Dehumidifier KT 1800/2200

The major features of the compact KT's:

- * very high dehumidifying performance
- * casing made from robust ABS plastics
- * large wheels and low weight, for easy handling
- * 12.2 m outlet-hose, 7.6 m electrical cable
- * integrated water pump
- * hour meter



Centrifugal extractor

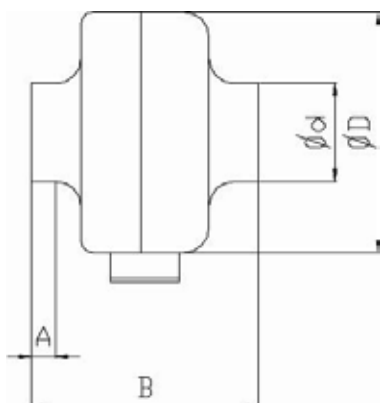


Centrifugal extractor for insertion between tubes

- 100 mm bis 315 mm

**external rotor motors
with incorporated thermal protector**

- 230 Volt - 50 Hz
- only dry and clean air, max. 40°C



	air-capacity	diameter	Motor	sound-level	Dimensions			
					A	B	D	d
	m ³ /hr	mm	W	dB(A)	mm	mm	mm	mm
TUB 100 PLUS	350	100	72	54	25	210	243	98
TUB 125 PLUS	450	125	72	55	25	210	243	123
TUB 150 PLUS	700	150	72	56	25	224	280	148
TUB 160 PLUS	760	160	100	57	25	224	330	158
TUB 200 PLUS	1.070	200	130	60	25	243	330	198
TUB 250 PLUS	1.130	250	130	62	25	243	330	248
TUB 315 PLUS	1.900	315	230	66	30	305	404	313



<http://www.dasslerventilatoren.info/Tub.pdf>



ceiling fan

- ceiling fan with 1400 rpm
- cooling, drying in industry, discotheque and so on
- single phase 230 Volt - 260 Watt
- 18.000 m³/hr
- 3-Step-Switch
- weight: 17 kg diameter: 81 cm



<http://www.dasslerventilatoren.info/wrg.pdf>

Allgemeine Verkaufsbedingungen der Firma Dassler GmbH

I. Allgemeines

Die Angebote, Lieferungen sowie sonstige Leistungen der Dassler GmbH erfolgen ausschließlich unter Zugranderlegung dieser Allgemeinen Geschäftsbedingungen im Rahmen des Kaufvertragsrechts. Sie gelten auch für alle weiteren Lieferungen. Anderslautende Einkaufsbedingungen unserer Kunden gelten nicht, selbst wenn wir ihnen nicht ausdrücklich widersprochen haben, es sei denn, sie werden von uns schriftlich anerkannt. Angebote sind grundsätzlich freibleibend und verstehen sich als unverbindlicher Vorschlag. Die Prüfung der Verwendbarkeit der Ventilatoren, der Liefergegenstände und der vorgeschlagenen Materialien obliegt dem Käufer. Evtl. erforderliche behördliche Genehmigungen hat der Käufer einzuholen. Ventilatoren nicht in explosionsgefährdeten Bereichen einsetzen, es sei denn, sie sind dafür ausdrücklich zugelassen durch das bauseitige Ex-Schutz-Dokument. Unsere Kataloge und Internetseiten dienen der unverbindlichen Information und beinhalten kein Angebot im Rechtssinn und stellen eine Aufforderung an den Kunden dar zur Abgabe eines Angebotes auf Abschluss eines Kaufvertrages.

II. Preise

Unsere Preise verstehen sich brutto ab Werk einschließlich Verpackung zuzüglich der am Liefertag gültigen gesetzlichen Mehrwertsteuer. Sicherheits-einrichtungen, Befestigungs-, Dichtungs- und Isoliermaterial werden von uns nur mitgeliefert, wenn es ausdrücklich bestätigt ist. Verbindlich für die Preisgestaltung ist unsere jeweils gültige Bruttopreisliste unter Berücksichtigung der in unseren Angeboten zugesagten Preisbindung. Technische Änderungen der Katalogangaben und Internetseiten ohne vorherige Ankündigungen behalten wir uns vor und sind kein Reklamationsgrund

III. Zahlung

Sofern keine andere schriftliche Vereinbarung besteht, sind unsere Rechnungen innerhalb von 10 Tagen nach Rechnungsdatum netto zahlbar. Es kann gegen Vorauskasse oder per Nachnahme geliefert werden. Bei Überschreitung des Zahlungsziels sind wir berechtigt, Verzugszinsen in Höhe von 3 % über dem jeweils gültigen Diskontsatz zu verlangen. Die Aufrechnung oder Rückbehaltung von Zahlungen ist dem Käufer nur im Falle unbestrittener bzw. rechtskräftiger Gegenforderungen erlaubt. Bei Zweifeln an der Bonität des Kunden sind wir zum Rücktritt vom Vertrag berechtigt.

IV. Lieferung

Die Lieferung erfolgt auf Rechnung und Gefahr des Käufers unter Berücksichtigung der jeweils vereinbarten Frankatur. Der Gefahrenübergang der Lieferung erfolgt auf den Käufer spätestens mit der Absendung. Bei frachtfreier Lieferung steht die Art der Versendung in unserem Ermessen. Zusatzkosten, die durch Änderungswünsche des Käufers entstehen, können diesem in Rechnung gestellt werden. Die Lieferzeit beginnt nach Klärung aller kaufmännischen und technischen Details. Nur schriftliche Zusagen sind verbindlich. Die Einhaltung der Lieferfrist ist gegeben, wenn der Liefergegenstand das Werk

verlassen hat, bzw. dem Käufer die Versandbereitschaft gemeldet wurde.

Lieferzeitverzögerungen infolge höherer Gewalt oder durch von uns nicht zu verantwortende Umstände berechtigen uns zu einer angemessenen Fristverlängerung.

V. Eigentumsvorbehalt

Die gelieferte Ware bleibt bis zur vollständigen Bezahlung des Kaufpreises sowie aller vorausgegangenen Forderungen, die wir an den Käufer haben, unser Eigentum. Der Käufer ist berechtigt, die Vorbehaltsware im normalen Geschäftsverkehr weiter zu veräußern. Die Verpfändung oder Sicherungsübereignung derselben ist ihm untersagt. Bei Zahlungsverzug bzw. sonstigen wesentlichen Vertragsverletzungen seitens des Käufers, sind wir zur Rücknahme der Vorbehaltsware berechtigt.

VI. Gewährleistung

Bei einem Vertrag mit einem Verbraucher (§13 BGB) gelten die gesetzlichen Regelungen. Im Übrigen beträgt die Gewährleistung für unsere Erzeugnisse 12 Monate - vorschriftsmäßige Inbetriebnahme vorausgesetzt (Nachweis durch Protokoll, bitte zufaxen nach Inbetriebnahme) und beginnt mit dem Gefahrenübergang gemäß §1V/1.

Mängel der gelieferten Sache sind gemäß § 377 Abs. 1 HGB unverzüglich zu rügen, andernfalls gilt die gelieferte Sache nach § 377 Abs. 2 HGB als genehmigt. Die Leistungsdaten der Ventilatoren sind auf einem Prüfstand nach internationalen Normen ermittelt. Tatsächlich können sich in der Praxis abweichende Werte ergeben. Dies ist kein Reklamationsgrund. Ausdrücklich von der Gewährleistung ausgeschlossen sind Schäden oder Mängel, die aus nachstehenden Gründen aufgetreten sind:

- ungeeignete Verwendung,
- Einwirkung von Gewalt
- fehlerhafte Inbetriebsetzung,
- unsachgemäße Behandlung
- normaler Verschleiß,
- chem. Korrosion and/oder
- Motorbetrieb ohne Motorschutz (überhitzte Motoren)

Im Gewährleistungsfall bessert die Dassler GmbH nach eigener Wahl nach oder tauscht die gelieferte Ware gegen eine fehlerfreie Ware um oder erteilt dem Kunden gegen Rücknahme der fehlerhaften Ware eine Gutschrift über den Warenwert, wenn diese nachweislich durch Material- oder Fabrikationsfehler schadhaft geworden ist. Hierfür hat uns der Käufer eine angemessene Frist einzuräumen, in der Regel 3 bis 4 Wochen. Im Falle der Nachbesserung sind wir verpflichtet, alle zum Zwecke der Mängelbeseitigung erforderlichen Aufwendungen zu ersetzen, soweit sich die Kosten nicht dadurch erhöhen, dass die Kaufsache an einen anderen Ort als den Erfüllungsort verbracht wurde. Entsprechendes gilt, wenn der Gegenstand der Lieferung an einen schwer zugänglichen Ort installiert wurde oder außerhalb des Gebietes der BRD verbracht wurde. Aufwendungen sind insbesondere Transport-, Wege-, Arbeits- und

Materialkosten. Unsere Gewährleistungspflicht erlischt, falls der Käufer oder Dritte Reparaturarbeiten ohne unsere Genehmigung durchführen. Im Falle eines Mangels, der auf einer fehlerhaften Montage beruht, sind wir nicht zur Gewährleistung verpflichtet. Die fachkundige Durchführung hat der Besteller darzulegen und zu beweisen. Bei Beanstandungen, die sich als unberechtigt erweisen, trägt der Käufer die uns entstandenen Kosten. Bitte schicken Sie keine Ware unfrei zurück. Unsere Mitarbeiter sind gehalten dann die Annahme zu verweigern. Im berechtigten Reklamationsfall lassen wir die Ware auf unsere Kosten abholen.

VII. Haftung

Unsere Haftung, die eines gesetzlichen Vertreters oder eines Erfüllungsgehilfen ist auf die Fälle des Vorsatzes oder der groben Fahrlässigkeit beschränkt. Bei der Verletzung von wesentlichen Vertragspflichten haften wir grundsätzlich nach den gesetzlichen Bestimmungen. Der Schadensersatzanspruch ist jedoch begrenzt auf den vertragsmodelischen, vorhersehbaren Schaden. Die Haftung für Schäden durch den Vertragsgegenstand an anderen Rechtsgütern des Bestellers ist ausgeschlossen, soweit die Schäden nicht vorsätzlich oder grob fahrlässig verursacht wurden. Diese Regelung erstreckt sich auch auf Schadensersatzansprüche neben der Leistung und Schadensersatz statt der Leistung gleich aus welchem Rechtsgrund, insbesondere wegen Mängeln, der Verletzung von Pflichten aus dem Schuldverhältnis oder aus unerlaubter Handlung. Sie gilt auch bei Ansprüchen auf Ersatz vergeblicher Aufwendungen. Im Übrigen ist die Haftung ausgeschlossen, soweit dies gesetzlich zulässig ist.

VIII. Warenrücknahme

Die meisten Ventilatoren sind Sonderanfertigungen und keine Lagerware. Somit ist eine Rückgabe oder Auftragsstornierung ausgeschlossen. Die Rücknahme von Serienprodukten kann nach Absprache mit uns unter folgenden Bedingungen erfolgen:

- die Lieferung darf nicht mehr als 1 Monat zurückliegen
- die Ware inklusive Verpackung muss sich in einwandfreiem, verkaufsfähigem Zustand befinden
- frachtfreie Anlieferung
- Gutschrift des fakturierten Betrages ./. 25% Bearbeitungskosten – evtl. sind die Kosten höher, mindestens jedoch 20,00 Euro.

IX. Gerichtsstand, Erfüllungsort, Anwendbares Recht

Bei sich ergebenden Streitigkeiten mit dem Käufer (soweit dieser Vollkaufmann im Sinne des HGB ist) Bad Gandersheim sowohl Gerichtsstand als auch Erfüllungsort. Vertragssprache ist deutsch.

Für alle Rechtsbeziehungen zwischen dem Käufer und uns sowie diese Allgemeinen Geschäftsbedingungen gilt ausschließlich das Recht der Bundesrepublik Deutschland unter Ausschluss des UN-Kaufrechts. Sollte eine dieser Bestimmungen dieses Vertrages unwirksam sein, bleibt die Gültigkeit im Übrigen unberührt.

Bad Gandersheim, 2009



Dassler GmbH
Luft- u. wärmetechnische Systeme

Salzwiese 2
D-37581 Bad Gandersheim
Tel: +49 (0) 5382 2317
Fax: +49 (0) 5382 4478
ventilator@dasslerventilatoren.info



Spezialventilatoren

für große Luftmengen

hohe Drücke, Saugkraft

hohe Temperaturen

für Materialtransport

industrielle Anwendungen

Lüftungstechnik

