

# SKORPION™ Process Air Heater

## Description

The new SKORPION Process Air Heater from OSRAM SYLVANIA represents the perfect combination of power, size, reliability and control in Air Heating technology.

Whether your process involves drying, curing, melting, or sealing, the SKORPION gives you full closed-loop PID temperature regulation from 0 to 1400°F (760°C) with ±2° accuracy.

In addition, the SKORPION's all-metal air source is powerful and robust, ensuring reliable operation in dusty environments, with an adjustable air damper for flow control.

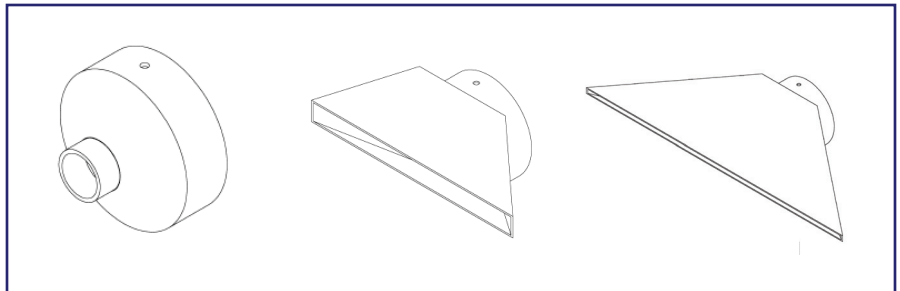
The SKORPION package is complete with OSRAM SYLVANIA's long-life Serpentine heater elements, and a robust over-temperature safety system.



## Specifications

- 120V unit – Max. Air temp. 1200°F (650°C).
- 240V unit – Max. Air temp. 1400°F (760°C).
- Temperature accuracy ±2°.
- Maximum flow rate 10 SCFM.
- Temp Control 1/32 DIN.
- Power Control 25A Solid State Relay.
- RoHS Compliant.
- All components CE compliant.

## Accessories



## Products

Air Heater Model		Replacement parts				
		Heating Element	Temp Control	Power Control	Blower	Nozzle Tube
F075615	SKORPION Air Heater 1.5kW 120V 1PH 12.5A	F205526	F205499	F205486	F205513	F205494
F075616	SKORPION Air Heater 3.0kW 240V 1PH 12.5A	F205502	F205499	F205486	F205512	F205494
Accessories (all models)						
F075744	High Flow Nozzle	21mm (1") diameter opening – slip on mount with set screw.				
F075745	Standard Flare	50mm x 12mm (6"x0.5") opening – slip on mount with set screw.				
F075746	Wide Flare	300mm x 4mm (12"x 0.16") opening – slip on mount with set screw.				



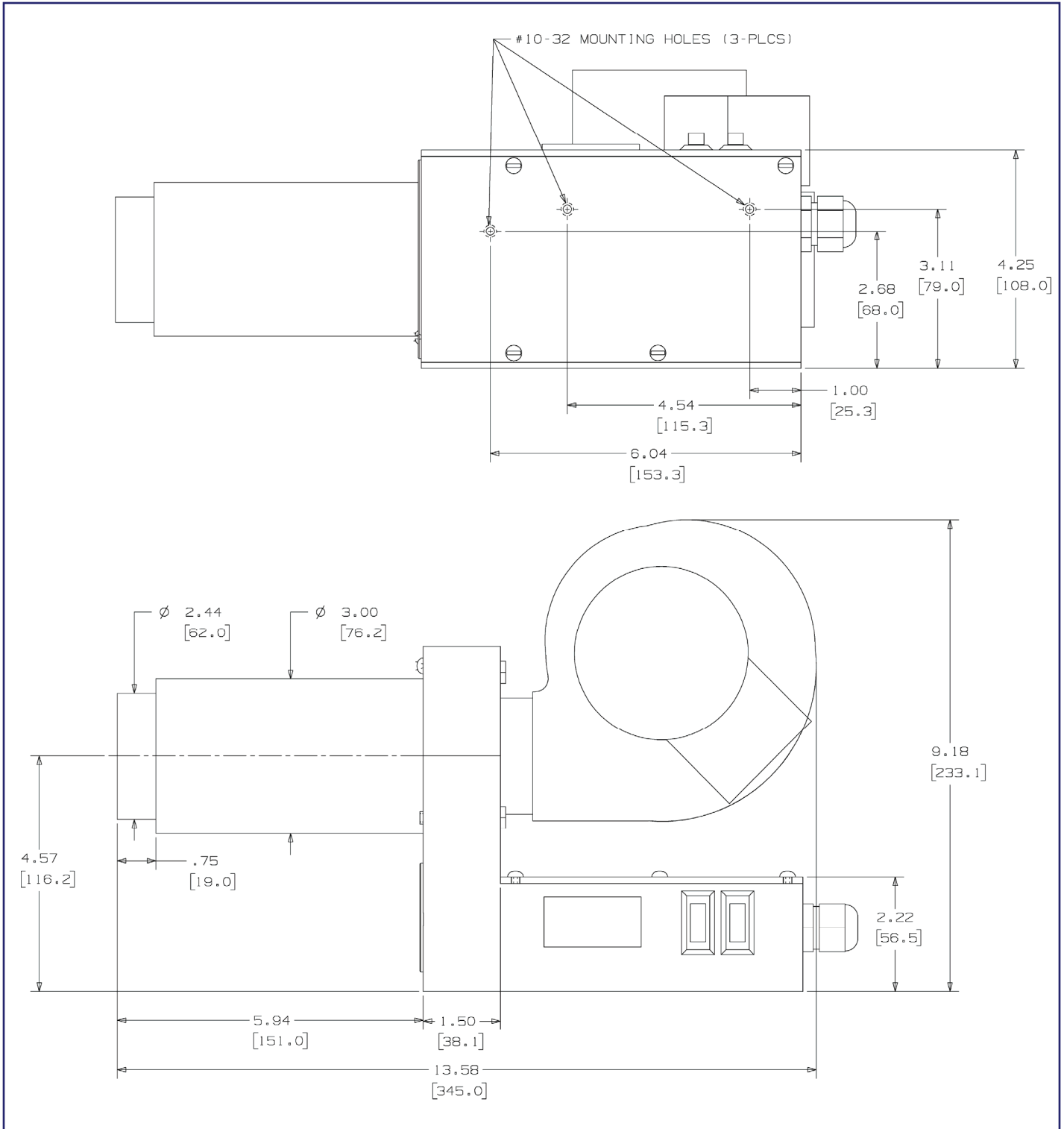
OSRAM SYLVANIA  
131 Portsmouth Avenue  
Exeter, NH 03833 USA

Tel: 603-772-4331  
Fax: 603-772-1072

[www.sylvaniaheaters.com](http://www.sylvaniaheaters.com)

Rev. 06/2007

# Installation



OSRAM SYLVANIA  
131 Portsmouth Avenue  
Exeter, NH 03833 USA  
Tel: 603-772-4331  
Fax: 603-772-1072  
[www.sylvaniaheaters.com](http://www.sylvaniaheaters.com)